

**** SOLUTION ****

Title	FSB 233-007, Fuel Filter Housing, Replacement; Extra Port On Fuel Filter Housing When Replacing With New Part - Vehicles Manufactured Between 14 November 2016 And 31 December 2019
-------	-------------------------------------------------------------------------------------------------------------------------------------------------------------------------------------------

Mack Models

Mack Model	LR , MRU - TerraPro , TE - TerraPro , AN - Anthem , CHU - Pinnacle, Axle back , C XU - Pinnacle, Axle front , GR - Granite , GU - Granite , PI - Pinnacle , TD - Titan
------------	---------------------------------------------------------------------------------------------------------------------------------------------------------------------------

Volvo Models

Volvo Model	VN , VNL , VNM , VNR , VNX , VAH , VHD
-------------	----------------------------------------

Emission Standard

Emission Standard	US17+OBD16 , US17+OBD18 , US17+OBD19
-------------------	--------------------------------------

Engine family

Engine family	11L Engine , 13L Engine , MP7 , MP8
---------------	-------------------------------------

**** SOLUTION ****

Cause	Vehicles manufactured after 1 January 2020 are equipped with a fuel pressure sensor in the fuel filter housing that is not present in vehicles manufactured with the early version (s) of the common rail fuel system. The new filter housing is common to both newer and older versions. Because of this, a plug is required when a new housing is used on an older version
-------	------------------------------------------------------------------------------------------------------------------------------------------------------------------------------------------------------------------------------------------------------------------------------------------------------------------------------------------------------------------------------

Solution	For repair and part information, refer to FSB 233-007, Fuel Filter Housing, Replacement. - The bulletin can be found under the Service tab in Impact. - In the Additional Search Values section, make sure Titles is selected from the dropdown menu. - Searching for "233-007" (without quotes) will return the bulletin as the result. It is not necessary to enter any other vehicle information.
----------	---------------------------------------------------------------------------------------------------------------------------------------------------------------------------------------------------------------------------------------------------------------------------------------------------------------------------------------------------------------------------------------------------------------------------

Function(s)/component(s) affected

Function affected	FSB , fuel system
-------------------	-------------------

Function Group

Function Group	233 fuel pump, filter and strainer
----------------	------------------------------------

Customer effect

Fluid implicated	Fuel
------------------	------

Administration

Author	RU4469V
--------	---------

Dealer ID RU4469V

Last modified by RU4469V

Creation date 14-04-2020 17:04

Date of last update 27-04-2020 15:04

Status Published

UNCONTROLLED COPY. Printed document is for temporary use only and should not be retained.

Service

Chassis ID	Path 2337/Repair//FSB 233-007, Fuel Filter Housing, Replacement
Model	Identity 151667925
Publish date 4/9/2020	ID/Operation 2337-03-09-01

23393-9 FSB 233-007, Fuel Filter Housing, Replacement

(April 2020)

All Volvo vehicles built with 11L or 13L engines, between 11/14/2016 and 12/31/2019, that need to have the fuel filter housing replaced, will get superseded to a new part that will require the installation of a plug in the second sensor port.

The superseded fuel filter housing will contain a port for a second fuel pressure sensor.

On trucks built before 1/1/2020, the software does not support the functionality of this new sensor.

To replace the fuel filter housing, follow the standard repair procedure [23327-2 Engine Fuel Filter Housing, Replacement](#)

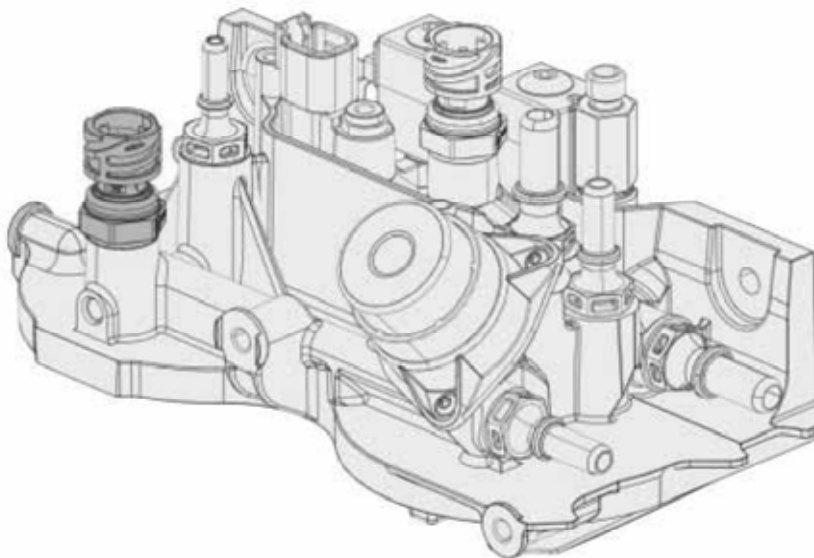
Note: If the fuel filter housing is replaced with any of the following part numbers, follow the steps in this bulletin to correctly block the sensor port.

Part number	Quantity
23699581	1

Required Parts

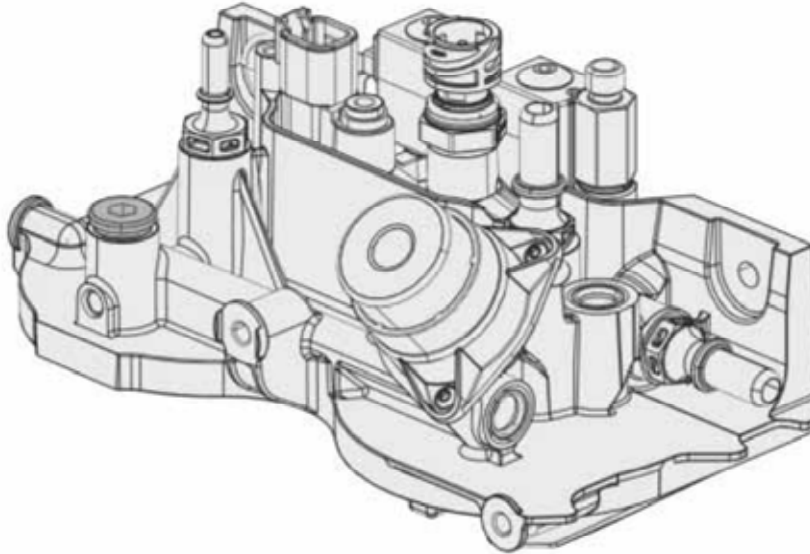
Part Description	Part Number	Quantity
Fuel filter housing, sensor plug	984793	1

1. Remove the fuel pressure sensor from the secondary fuel pressure sensor port.



2. Install the plug into secondary fuel pressure sensor port.

Tightening torque	
Plug, secondary fuel pressure sensor port (M16)	25±3 Nm (18.66 ft,lbs)



Reimbursement

This repair may be eligible for reimbursement if a product failure was experienced within time and mileage limits of the applicable warranty coverage. Reimbursement is obtained via the normal claim handling process.	UCHP Reimbursement
Claim type (used only when uploading from the dealer Bus. Sys.)	W
Labour Code	1720-16-09-01
Standard time (Plug, fuel filter housing install)	0.1 hrs
Causal part number	23100150

Volvo Trucks reserves the right to make any changes in design or to make additions to or upon its products without incurring any obligations to install the same on vehicles previously built.