



Fuel Filter Housing, Replacement AN, PI, GR, TE, MRU, LR, CXU, CHU, GU

FSB 233-007, Fuel Filter Housing, Replacement

(April 2020)

All Mack vehicles built with 11L or 13L engines, between 11/14/2016 and 12/31/2019, that need to have the fuel filter housing replaced, will get superseded to a new part that will require the installation of a plug in the second sensor port.

The superseded fuel filter housing will contain a port for a second fuel pressure sensor.

On trucks built before 1/1/2020, the software does not support the functionality of this new sensor.

To replace the fuel filter housing, follow the standard repair procedure Function Group 2334, Information type Repair Engine Fuel Filter Housing, Replacement

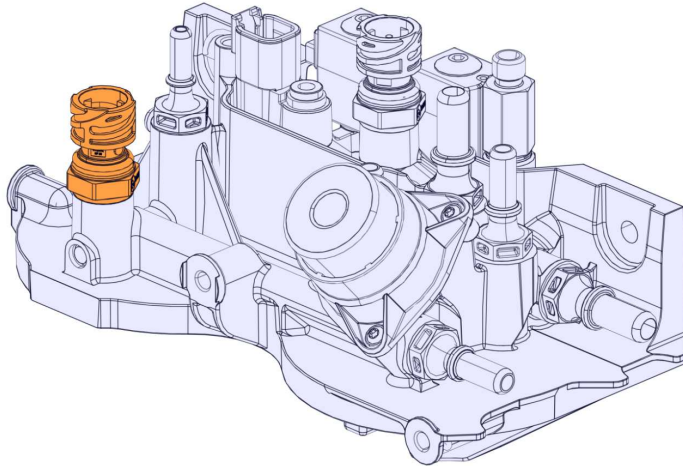
Note: If the fuel filter housing is replaced with any of the following part numbers, follow the steps in this bulletin to correctly block the sensor port.

Part number	Quantity
23699573	1
23699577	1
23699581	1

Required Parts

Part Description	Part Number	Quantity
Fuel filter housing, sensor plug	984793	1

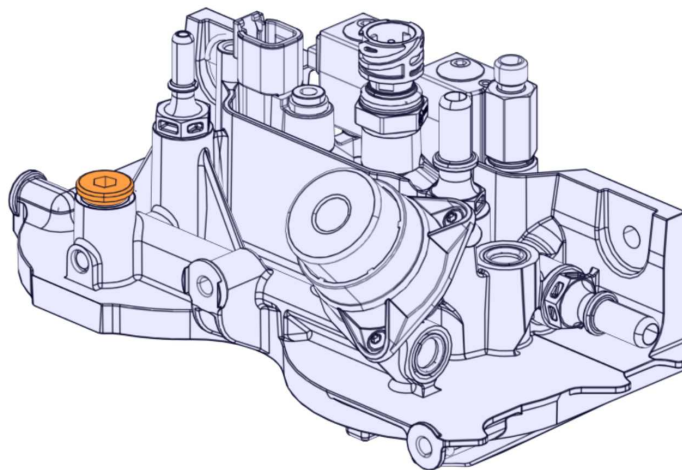
- 1 Remove the fuel pressure sensor from the secondary fuel pressure sensor port.



T2159319

- 2 Install the plug into secondary fuel pressure sensor port.

Tightening torque	
Plug, secondary fuel pressure sensor port (M16)	25±3 Nm (18.66 ft,lbs)



T2159320

Reimbursement

This repair may be eligible for reimbursement if a product failure was experienced within time and mileage limits of the applicable warranty coverage. Reimbursement is obtained via the normal claim handling process.	UCHP Reimbursement
Claim type (used only when uploading from the dealer Bus. Sys.)	W
Labour Code	1720-16-09-01
Standard time (Plug, fuel filter housing install)	0.1 hrs
Causal part numbers	23100150, 23099649, 23099651

Mack Trucks reserves the right to make any changes in design or to make additions to or upon its products without incurring any obligations to install the same on vehicles previously built.