

JTBO0662NAS2

**TECHNICAL BULLETIN**

06 MAY 2020



© Jaguar Land Rover North America, LLC

NOTE: The information in Technical Bulletins is intended for use by trained, professional Technicians with the knowledge, tools, and equipment required to do the job properly and safely. It informs these Technicians of conditions that may occur on some vehicles, or provides information that could assist in proper vehicle service. The procedures should not be performed by 'do-it-yourselfers'. If you are not a Retailer, do not assume that a condition described affects your vehicle. Contact an authorized Jaguar service facility to determine whether this bulletin applies to a specific vehicle.

**INFORMATION**

**This reissue replaces all previous versions. Please destroy all previous versions.**

Changes are highlighted in blue

**SECTION:**

307-02

**SUBJECT/CONCERN:**

Transmission Fluid Cooler Pipes - Fluid Leak

**AFFECTED VEHICLE RANGE:**

MODEL:	MODEL YEAR:	VIN:	APPLICABILITY:
F-PACE (X761)	2017 Onwards	045145 Onwards	INGENIUM I4 2.0L Petrol/INGENIUM I4 2.0L Diesel

**MARKETS:**

## NORTH AMERICA

**CONDITION SUMMARY:****NOTES:**

- This technical bulletin is only applicable to All Wheel Drive (AWD) vehicles.
- This technical bulletin is only applicable to vehicles installed with automatic transmissions.

**SITUATION:**

A transmission fluid leak may be seen coming from below the vehicle. There may also be a lack of acceleration and/or a 'juddering' from the vehicle while driving. A transmission warning message may also be displayed on the Instrument Panel Cluster (IPC). Upon further diagnosis, the fluid may be found leaking from the transmission fluid cooler pipe(s).

**CAUSE:**

Excessive vibration transmitted through the transmission fluid cooler pipes while the engine is running, causing the weld joints to fracture.

**ACTION:**

Follow the instruction(s) below.

**PARTS:**

PART NUMBER	DESCRIPTION	QUANTITY
T4A29688	Transmission fluid cooler pipes - With bracket assembly installed - Ingenium I4 2.0L Diesel	1
T4A11794	Transmission fluid cooler pipes - Ingenium I4 2.0L Petrol	1
T4A33742	Bracket - Ingenium I4 2.0L Petrol	1
T4A33743	Bracket clip - Ingenium I4 2.0L Petrol	1
JDE2798	Bracket bolt	1
T2H9243	Front driveshaft bolts	4
JDE26444	Transmission fluid (1 Liter)	1

PART NUMBER	DESCRIPTION	QUANTITY
JDE36540	Transmission oil plug service kit	1

**WARRANTY:****NOTES:**

- Repair procedures are under constant review, and therefore times are subject to change; those quoted here must be taken as guidance only. Use TOPIx to obtain the latest repair time.
- The JLR claims submission system requires the use of causal part numbers. Labor only claims must show the causal part number with a quantity of zero.

DESCRIPTION	SRO	TIME (HOURS)	CONDITION CODE	CAUSAL PART
JTB - Transmission Fluid Cooler Pipes - Inspect - No further action	99.01.05	0.5	01	T4A15334 / T4A11794
Transmission Fluid Cooler Pipes - Renew - Ingenium I4 2.0L Diesel	44.24.19	1.1	01	T4A15334 / T4A11794
Transmission Fluid Cooler Pipes - Renew - Ingenium I4 2.0L Petrol	44.24.19	1.2	01	T4A15334 / T4A11794
Transmission fluid level inspect - Top up if required	44.24.06	1.0	01	T4A15334 / T4A11794

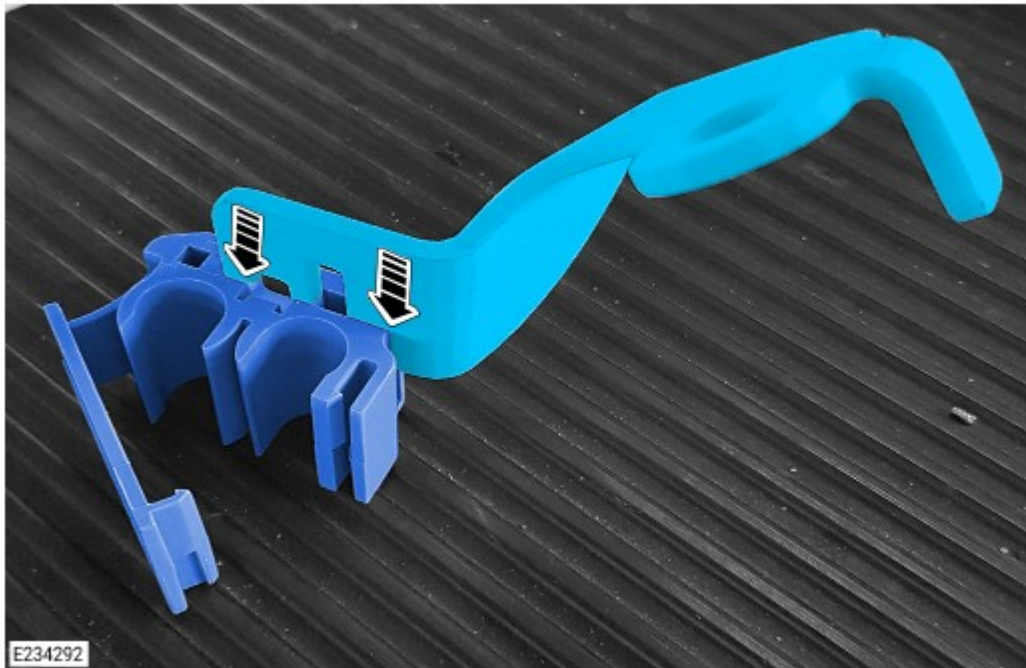
**NOTE:**

Normal Warranty procedures apply.

**SERVICE INFORMATION:**

**Ingenium I4 2.0L Petrol vehicles only**

1.

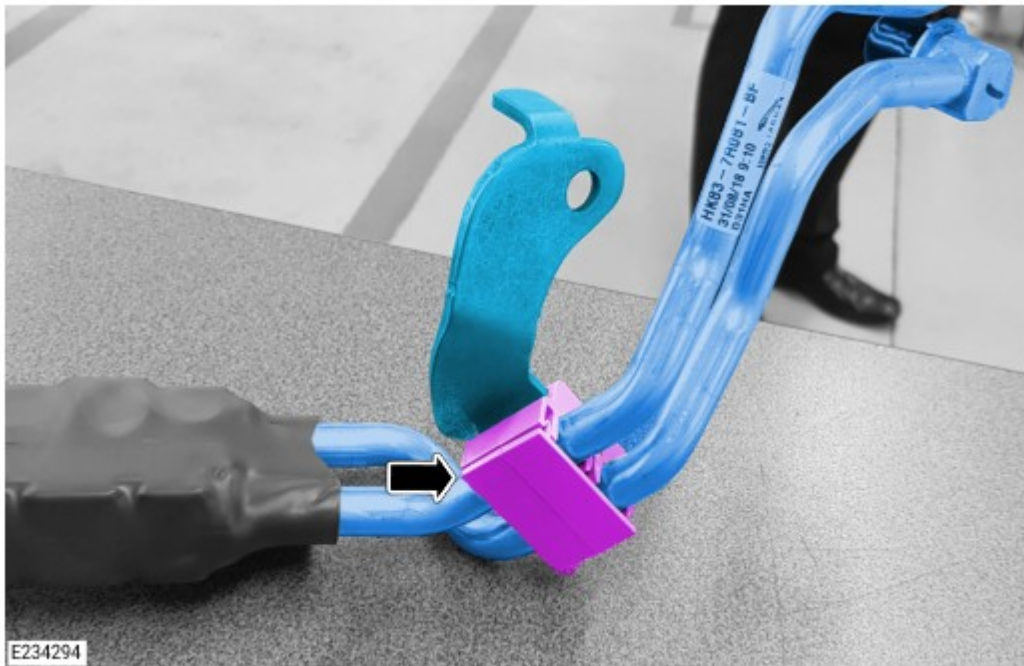


The illustration shows how to install the bracket to the bracket clip as shown.

### Ingenium I4 2.0L Diesel vehicles only

---

2.



Remove the bracket from the **NEW** Transmission fluid cooler pipes (T4A29688).

**SERVICE INSTRUCTION:**

---

**NOTE:**

Some components are shown removed to provide extra clarity.

- 
1. Raise and support the vehicle on a ramp, (see TOPlx workshop manual section 100-02: Description and Operation - Lifting).

2.

**NOTE:**

The undershield may also be known to as an air deflector within the workshop manual.

Remove the engine undershield to visually inspect the condition of the transmission fluid cooler pipes, (see TOPlx workshop manual section 501-02: Removal and installation - Engine Undershield).

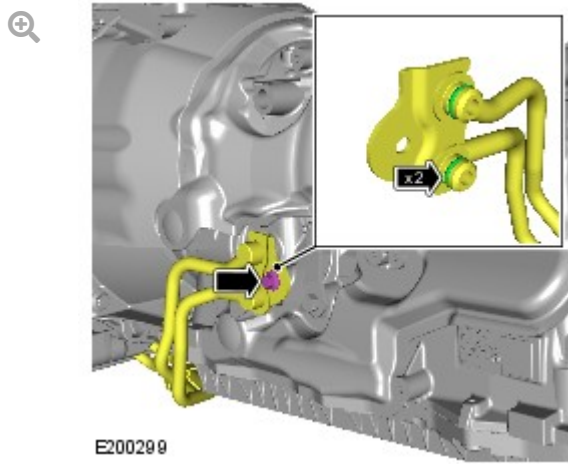
- ■ If the transmission fluid cooler pipes **do** show signs of leaking, **continue to step 3.**
- ■ If the transmission fluid cooler pipes **do not** show signs of leaking, **do not continue with this technical bulletin. Raise a Technical Assistance (TA) for further assistance.**

- 
3. Remove the front driveshaft, (see TOPlx workshop manual section 205-01: Removal and Installation - Front Driveshaft).
-

4.

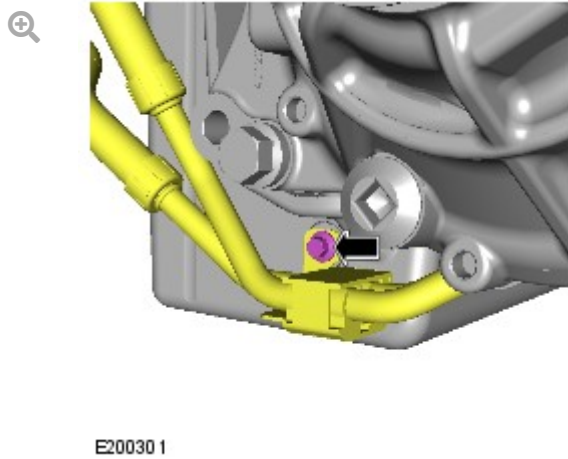
**CAUTION:**

Be prepared to collect escaping fluids.



Release the transmission fluid cooler pipes.

5.

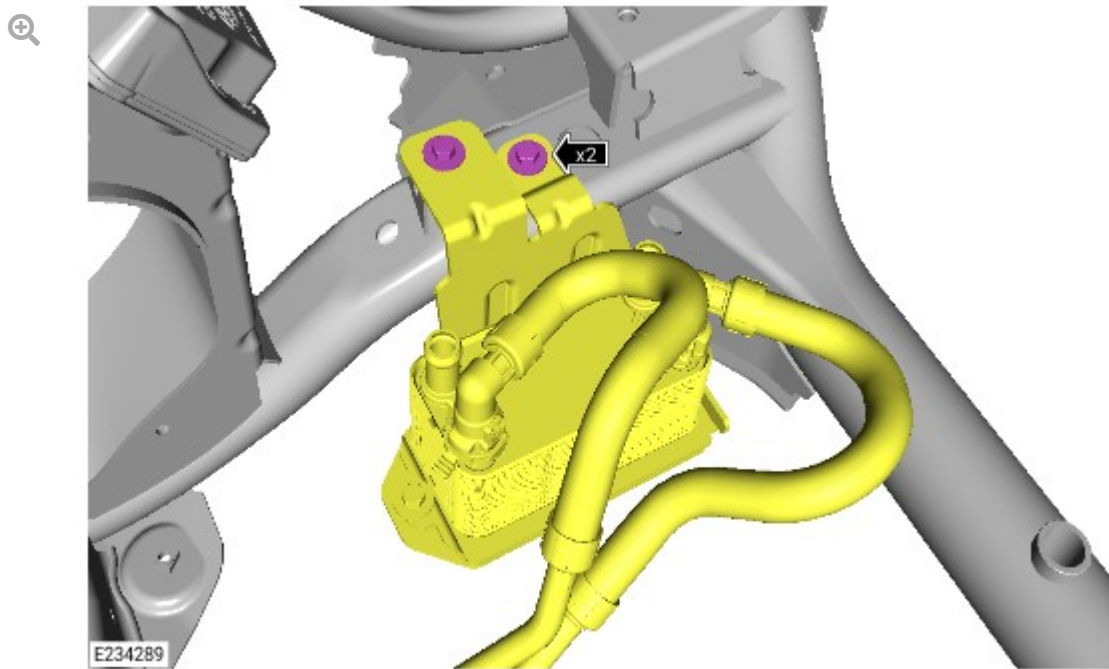


Remove the bolt securing the transmission fluid cooler pipes to the oil pan.

6.

**CAUTION:**

The transmission fluid cooler assembly must remain supported at all times.



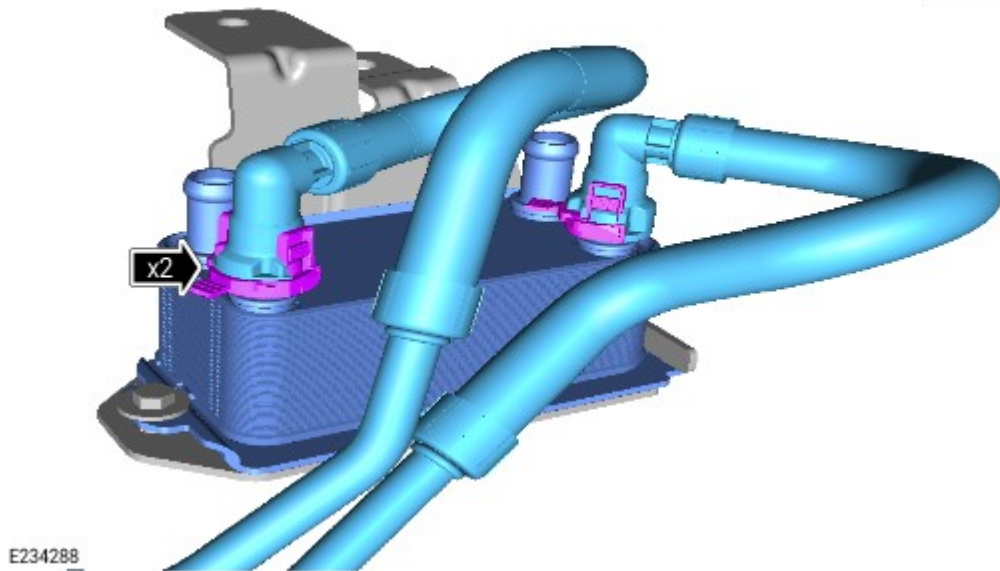
Release the transmission fluid cooler assembly from the front subframe.

---

7.

**CAUTION:**

The transmission fluid cooler assembly must remain supported at all times.



Remove and discard the transmission fluid cooler pipes.

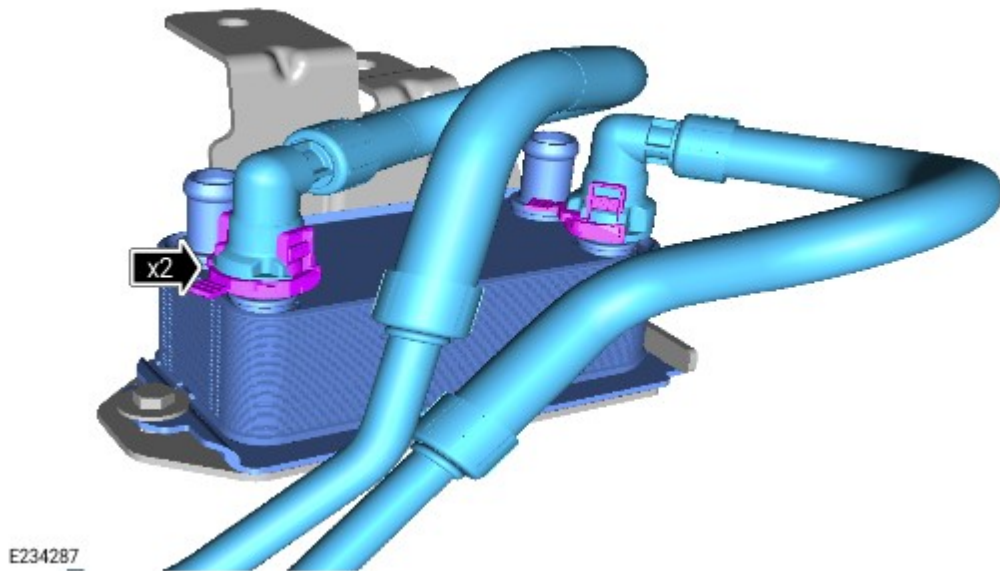
---



8.

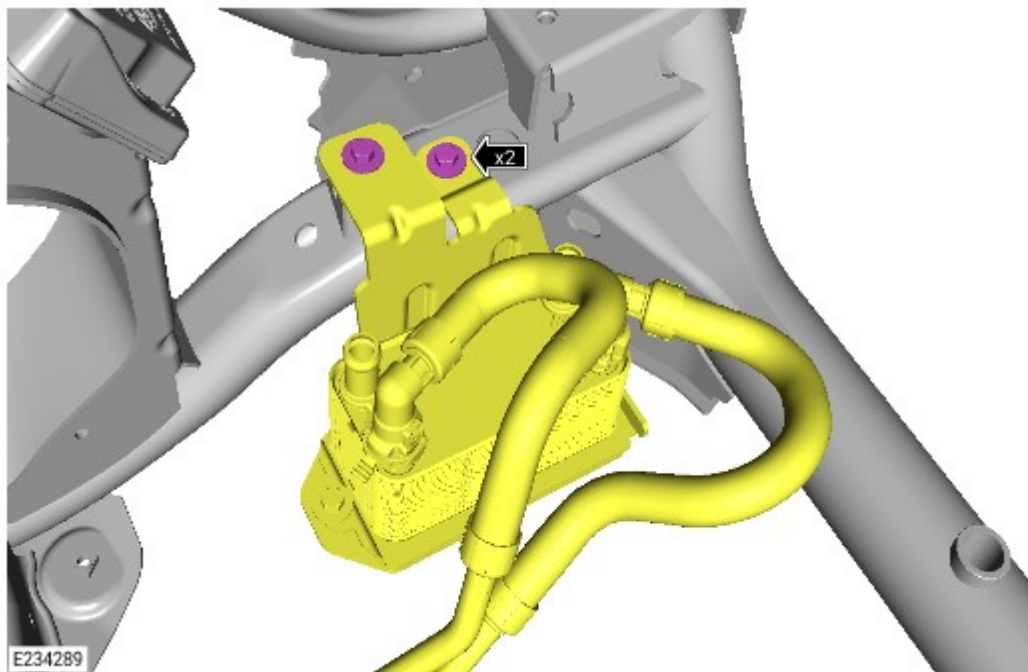
**CAUTION:**

The transmission fluid cooler assembly must remain supported at all times.



Install the new transmission fluid cooler pipes to the transmission fluid cooler.

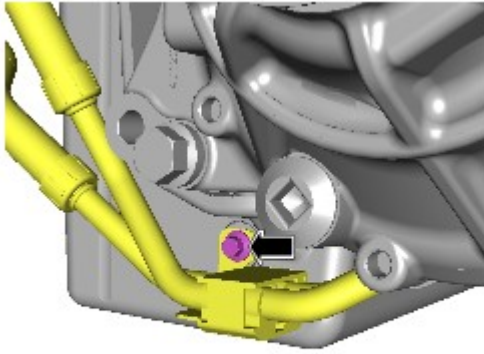
9.



Install the transmission fluid cooler assembly to the front subframe.

- ■ **Torque: 9 Nm.**

10.

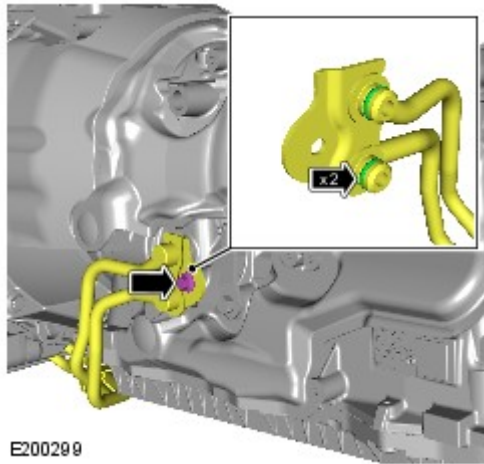


E200301

Install the bolt securing the transmission fluid cooler pipes to the oil pan.

- ■ **Torque: 11 Nm.**

11.

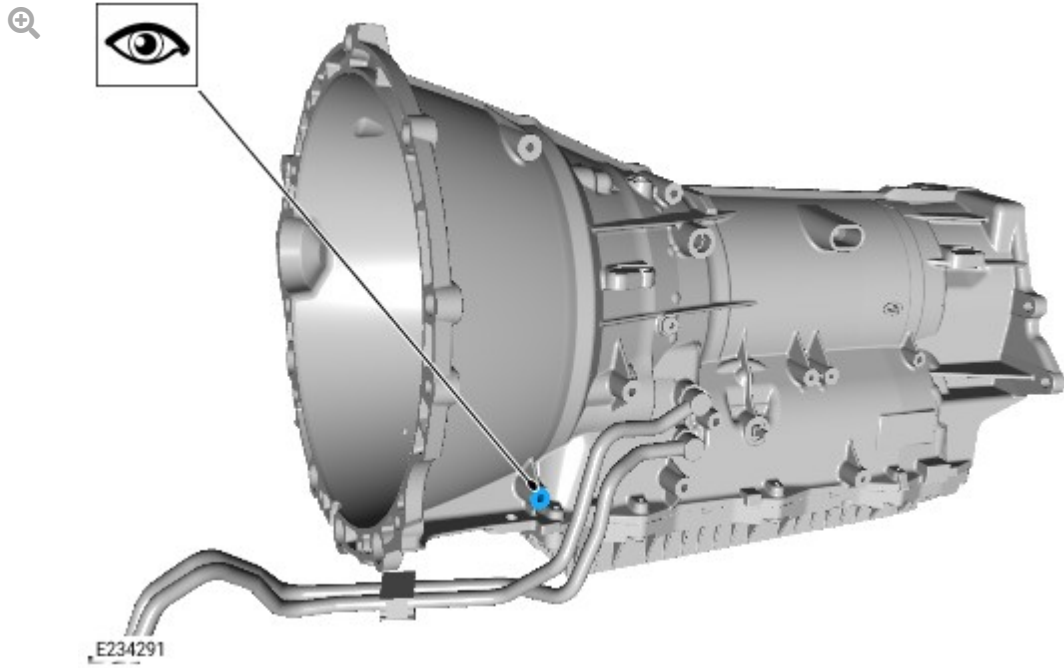


E200299

Install the transmission fluid cooler pipes.

- ■ **Torque: 22 Nm.**

12.



The illustration shows the location required for installing the bracket in the following step.

### Ingenium I4 2.0L Diesel vehicles

---

13.



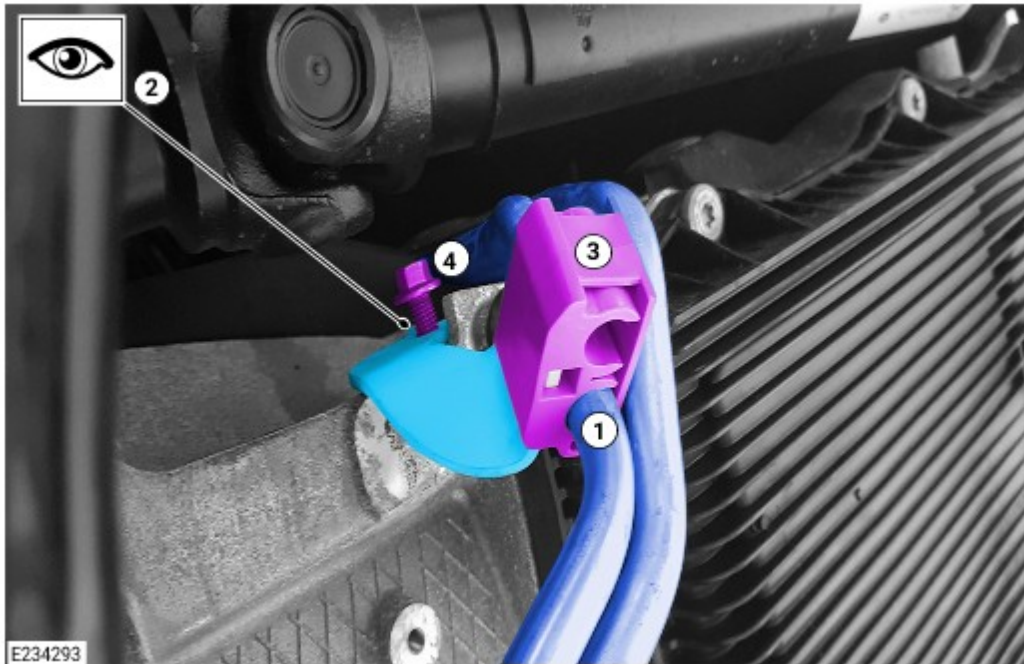
Install the bracket using the following method:

- ■ 1 - Position the bracket clip over the transmission fluid cooler pipes in the position shown.
- ■ 2 - Make sure the bolt hole in the bracket aligns with the threaded bolt hole in the transmission.
- ■ 3 - Close the bracket clip.
- ■ 4 - Install the bolt.
- ■ **Torque: 22 Nm.**

### Ingenium I4 2.0L Petrol vehicles

---

14.



Install the bracket using the following method:

- ■ 1 - Position the bracket clip over the transmission fluid cooler pipes in the position shown.
- ■ 2 - Make sure the bolt hole in the bracket aligns with the threaded bolt hole in the transmission.
- ■ 3 - Close the bracket clip.
- ■ 4 - Install the bolt.
- ■ **Torque: 22 Nm.**

---

15. Install the front driveshaft, (see TOPlx workshop manual section 205-01: Removal and Installation - Front Driveshaft).

---

16. Inspect the transmission fluid level, top up if required, (see TOPlx workshop manual section 307-01: General Procedures - Transmission Fluid Level Inspect).

17.

**NOTE:**

The 'engine undershield' is also known as an 'air deflector' within the TOPlx Workshop Manual.

Install the engine undershield, (see TOPlx workshop manual section 501-02: Removal and installation - Engine Undershield).

18. Lower the vehicle, (see TOPlx workshop manual section 100-02: Description and Operation - Lifting).