



Service Bulletin

11-001

Section

11 - Front Axle

Description

Information Only – Hendrickson Softek front axle maintenance intervals and requirements. If a popping noise is heard in the front axle/suspension area, reference the maintenance material below for troubleshooting information.

Release Date

5/29/2020

Introduction

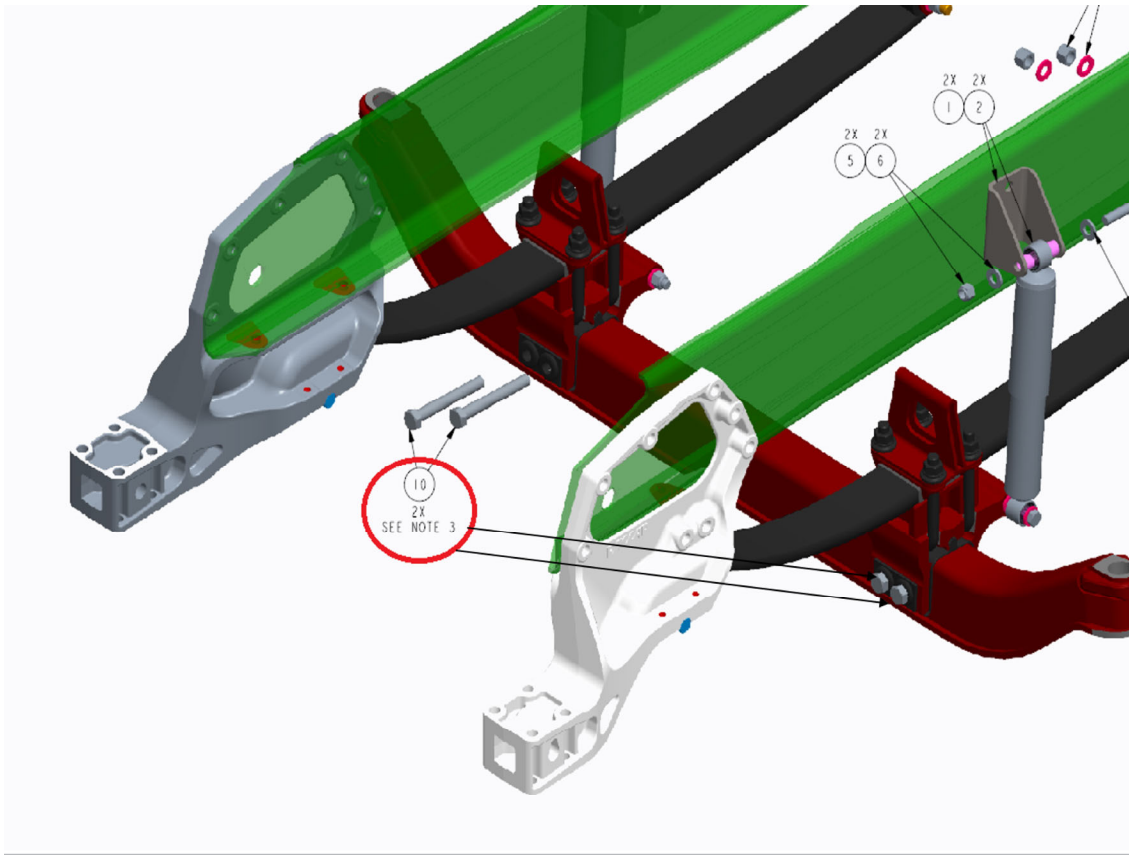
Hendrickson has updated the maintenance bulletin for the Hendrickson Softek front axle. See the Hendrickson Technical Procedure linked below.

Resolution

Information Only

If a vehicle enters the dealership and exhibits a popping noise in the front axle/suspension area, reference 17730-338A Hendrickson Technical Procedure and image below. The through bolts in the Softek axle may require torquing per the guidelines in the attached procedure below. This is a customer maintenance item and is not covered under warranty.

Review the Hendrickson Softek Technical Procedure linked below for the maintenance requirements.



Warranty

Warranty does not apply

Parts

There are no parts required.

Attachments

[Hendrickson Technical Procedure 17730-338 Rev A \(March 2020\)](#)

Authored by: DKH

Access to PACCAR's Enterprise Portal is provided as a benefit of doing business with PACCAR. All applications and content accessed through this system are confidential and proprietary and the property of PACCAR Inc and its suppliers, and must be kept strictly confidential pursuant to the contract licensing such access. Disclosure, publication, release or distribution of any material found on PACCAR systems to any person other than employees with a need to know such information is strictly prohibited. All activity on this system is monitored. If PACCAR suspects or discovers any unauthorized activity, access may be immediately terminated without prior notification. Violators may be subject to legal action.

© Copyright 2020 PACCAR Inc. All rights reserved. We welcome your [feedback](#) on this page. For technical questions or concerns about this page, please contact the [DealerNet Webmaster](#).