



Quick Tip

Version 1.0

Date: June. 30, 2020

**Title: Trailer hitch installation quick tip
2020 Cross Sport and 2021 Atlas
Part numbers: 3CM092135, 3CM055203A**

With PR1M5 (Accessory) DIA

Max trailer weight: 2000lbs Trailer w/ brake
Max trailer weight: 1650lbs Trailer w/o brake
Max tongue weight: 220lbs
2" Receiver

Dealer accessories needed to be tow ready:



Trailer Hitch



eKit with
(4way connector)



2" Ball & Ball
Mount



Vas Coding



Activation
Document

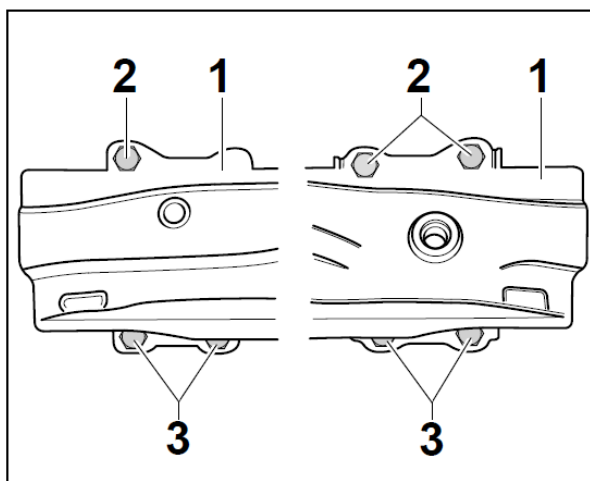
Always install the product according to the manufacturer's instructions. Modifications to the vehicle or accessory, or improper installation of the accessory can result in damage or failure.



Quick Tip

Step 1) Refer to Elsa Pro and remove rear bumper cover.

Step 2) Refer to Elsa Pro to remove left side body vent.



Step 3) Remove inner bumper impact bar, Re-install bolts located in position 2 to seal the interior against the ingress of exhaust gasses.



Step 4) Remove body plug and pass trailer electric harness through

Note: The close out panel does not need to be removed but it does allow greater access to the body plug if the panel is removed.



Quick Tip



Step 5) Mount the trailer electrics module to the body. Insert all 3 connectors into the module as shown above. The white ground wire connects to the chassis ground point. (on Atlas it will be directly below the module, On Cross Sport is will be located up on the wheel well area.

Step 6) Install the trailer hitch assembly, torque the bolts to 70Nm + 135 degrees.

Step 7) Install GSM antenna previously removed, Refer to ESLA Pro for proper torque and positioning. Route trailer harness along trailer hitch and mount the 4 pin connector using the provided hardware.

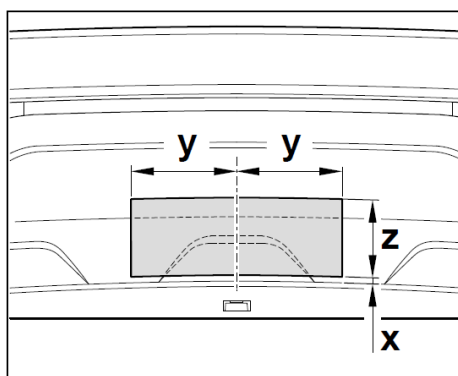
Always install the product according to the manufacturer's instructions. Modifications to the vehicle or accessory, or improper installation of the accessory can result in damage or failure.



Quick Tip

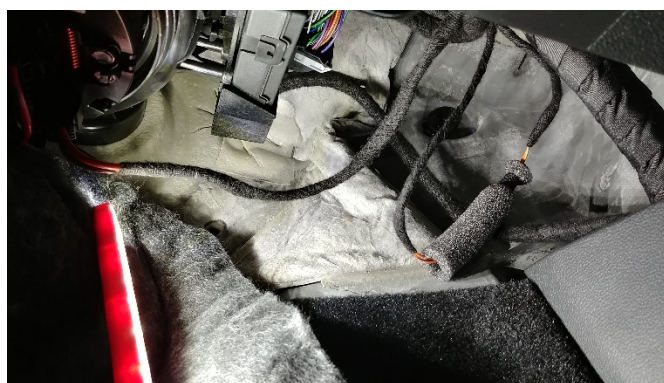
Step 8) Bumper preparation

- A) It is recommended to replace the lower valance with one that has the factory cut out for the trailer hitch. For vehicles with park distance control it is also necessary to cut out the 2 sensor holes. Refer to Elsa pro for lower valance replacement and part distance sensor installation.
- B) Cutting the trailer hitch opening is also an approved method.
 - 1) Determine center of bumper cover and mark the section according to image below.
 - 2) $X = .59\text{in}$ (15mm)
 - 3) $Y = 7.09\text{in}$ (180mm)
 - 4) $Z = 5.90\text{in}$ (150mm)
 - 5) Carefully cut out the section using suitable tools and deburr the cutting edges, as necessary.



Step 9) Re-install bumper cover and other parts previously removed.

Note pay special attention to wheel house moldings for damage and broken retainers and replace as necessary.



Step 10) Connect the can buss connectors under the right side of the dash near the lower A-Pillar.



Quick Tip

Step 11) Connect scan tool, scan vehicle, Select special functions, Adaption, selection option 4 (perform conversion retrofit with protection license).

Step 12) Perform function test of trailer electrics.