



June 5, 2020

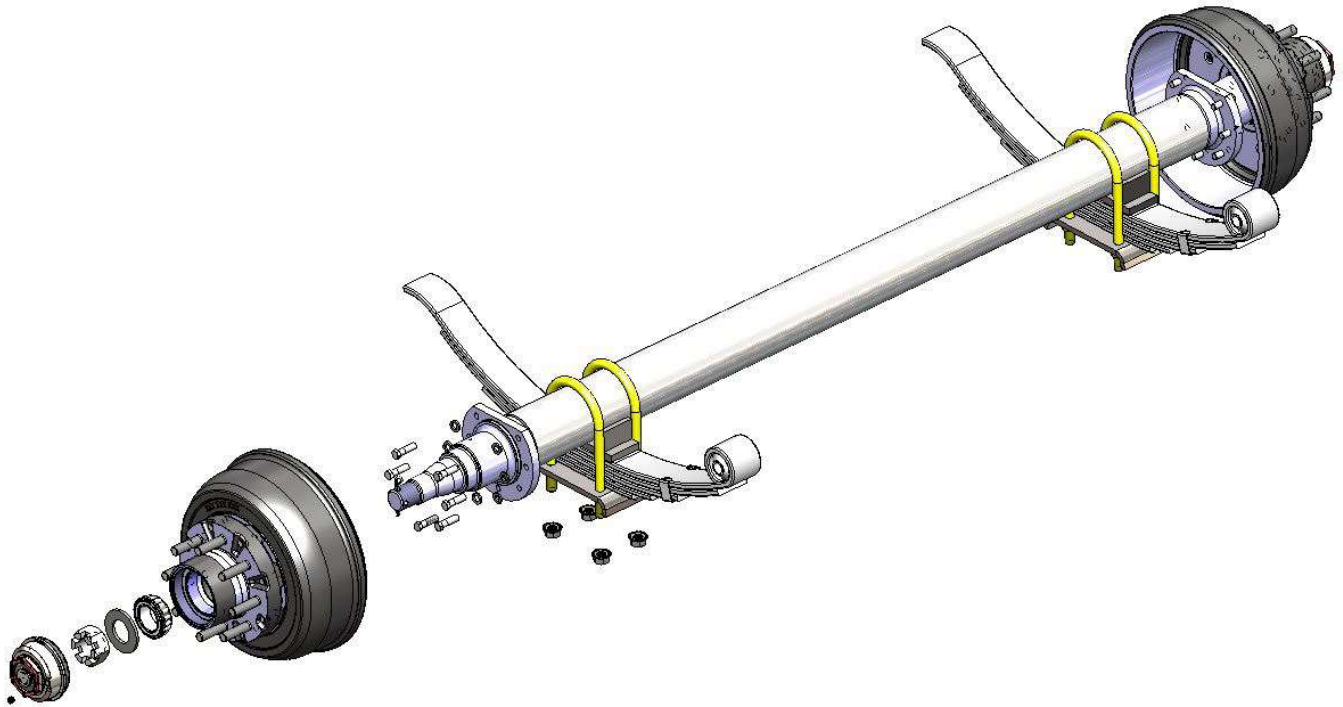
Product Change Notice – New 10K axle with shorter overhangs

Dear Valued Customer:

Please be advised that LCI will be transitioning to a new 10K axle. The new 10K model allows for shorter overhangs when using single wheels.

The new axle has a redesigned two-piece hub drum assembly and spindle. Current hub-drums will not interchange with new hub-drums. The bearings, seal and brakes are the same for current and new models. LCI will continue to offer replacement parts and beams for the current-style 10K.

	10K Spring Current	10K Spring New	10K Torsion Current	10K Torsion New
Axle Overhang Limit	22"-31"	19.75"-31"	22.75" - 34.5"	19.88" - 34.5"



If you have any questions, please feel free to call me directly or your LCI representative. We value and appreciate your business and partnership.

Sincerely,

Robert Boone

VP Sales, Utility Trailer Products

Lippert Components Inc.

C 574-971-1629

bboone@lci1.com

Frequently Asked Questions:

- 1. Will a new part number be required?** Yes, the LCI part number will change.
- 2. Is the new part wholly interchangeable with the previous version of the part?** Current hub-drums will not interchange the with new hub-drums.
- 3. Does the customer need to replace inventory?** No, the change will be made on a running basis and customers should use up current inventory prior to transitioning to new.