

JLRTB02043NAS1
TECHNICAL BULLETIN
09 JUN 2020



© Jaguar Land Rover North America, LLC

NOTE: The information in Technical Bulletins is intended for use by trained, professional Technicians with the knowledge, tools, and equipment required to do the job properly and safely. It informs these Technicians of conditions that may occur on some vehicles, or provides information that could assist in proper vehicle service. The procedures should not be performed by 'do-it-yourselfers'. If you are not a Retailer, do not assume that a condition described affects your vehicle. Contact an authorized Land Rover service facility to determine whether this bulletin applies to a specific vehicle.

INFORMATION

SECTION:

501-08

SUBJECT/CONCERN:

Air Deflector Loose/Adrift

AFFECTED VEHICLE RANGE:

MODEL:	MODEL YEAR:	VIN:	ASSEMBLY PLANT:
I-PACE (X590)	2019 Onwards	F60001 Onwards	Graz (Austria)

MARKETS:

NORTH AMERICA

CONDITION SUMMARY:

SITUATION:

1 or both of the air deflectors installed on the rocker panel moldings may become loose/adrift over time. They may rotate around the retaining scrivet and come in contact with the rear tires, causing a rubbing noise.

CAUSE:

Retention loads lower than expected.

ACTION:

Follow the instructions below.

PARTS:**NOTE:**

Only install a new air deflector if the original air deflector is damaged or missing.

PART NUMBER	DESCRIPTION	QUANTITY
C2S9354020	Retaining scrivets (up to 4 new retaining scrivets may be required if installing 2 new air deflectors)	2/3/4
T4K9937	Left air deflector (if required)	1
T4K9936	Right air deflector (if required)	1

WARRANTY:**NOTES:**

- Repair procedures are under constant review, and therefore times are subject to change; those quoted here must be taken as guidance only. Use TOPIx to obtain the latest repair time.
- The JLR claims submission system requires the use of causal part numbers. Labor only claims must show the causal part number with a quantity of zero.

DESCRIPTION	SRO	TIME (HOURS)	CONDITION CODE	CAUSAL PART
JLRTB02043 - Air deflector modification	99.01.16	0.2	33	T4K9937/T4K9936

NOTE:

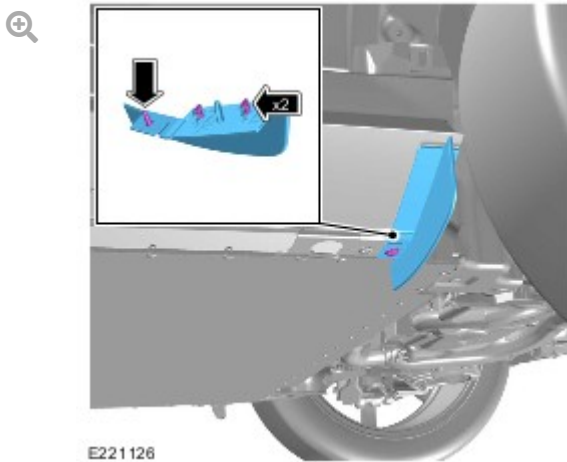
Normal Warranty procedures apply.

SERVICE INSTRUCTION:

1. Raise and support the vehicle (see TOPIx Workshop Manual section 100-02: Jacking and Lifting - Description and Operation - Jacking and Lifting).

Vehicles that require a new air deflector only

2.

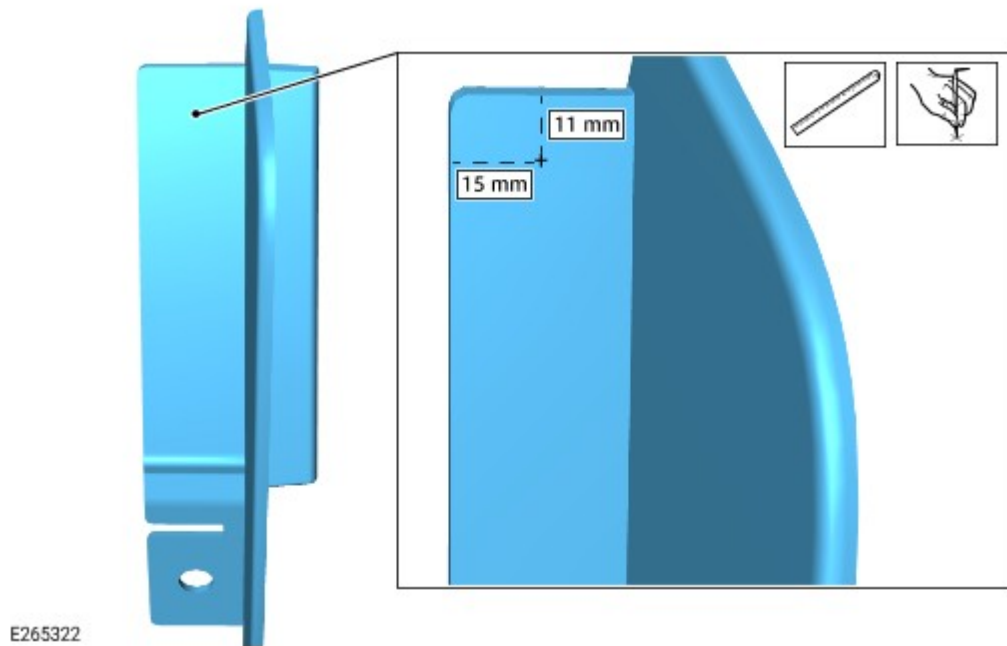


Install the new left air deflector.

- ■ Secure the 2 retaining clips.
- ■ Install the retaining scrivet.

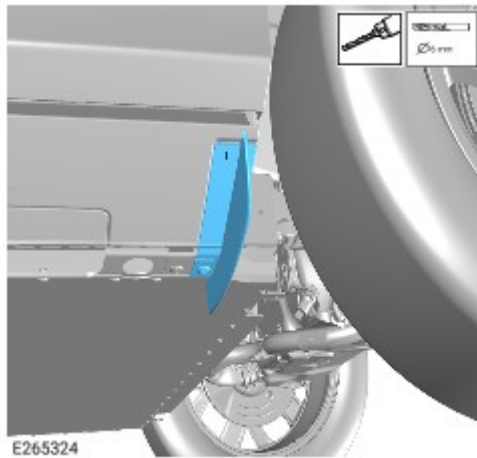
All vehicles

3.



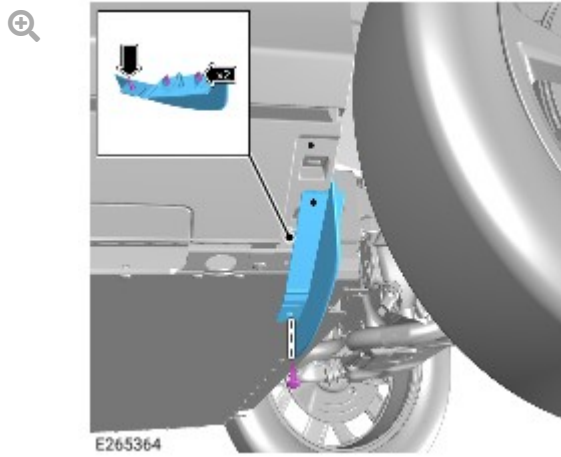
Measure and mark the position on the left air deflector for drilling, as shown in the illustration.

4.



Using a 6 mm drill, create a hole through the left air deflector and the left rocker panel molding in the position marked during step 3.

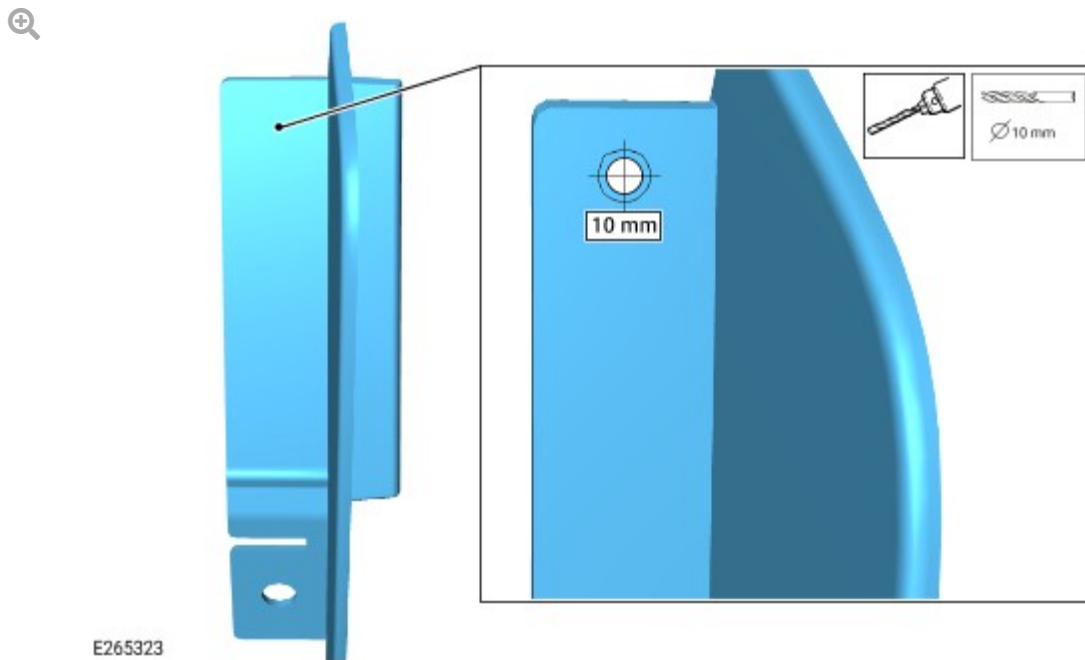
5.



Remove the left air deflector.

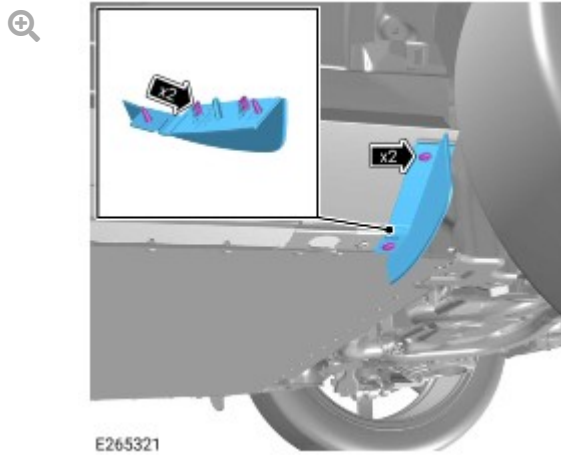
- ■ Remove the retaining scrivet.
- ■ Release the 2 retaining clips.

6.



Using a 10 mm drill, increase the size of the new hole in the left air deflector from 6 mm to 10 mm.

7.



Install the left air deflector.

- ■ Secure the 2 retaining clips.
- ■ Secure the 2 retaining screws.

8. Repeat steps 2 to 7 for the right air deflector.

9. Lower the vehicle (see TOPIx Workshop Manual section 100-02: Jacking and Lifting - Description and Operation - Jacking and Lifting).