



## Exterior Sun Visor Center Fasteners, Re-Torque

### Service

**Category:** Cab

**Section:** Cab Exterior

**Technician Skill Level C**

**Market North America**

### Applicability

#### VOLVO

| Years | Models       | Additional Information     |
|-------|--------------|----------------------------|
| 2021  | VN, VAH, VHD | Center Sun Visor Fasteners |

### Description

Volvo Trucks has identified 53 trucks that the exterior sun visor fasteners may not have been torqued properly.

Follow the instructions below to re-torque the center fasteners on the exterior sun visor.

## Exterior Sun Visor Center Fasteners, Re-Torque

### Claiming Information

|   |                                  |              |
|---|----------------------------------|--------------|
| <b>This repair is covered by an authorized Service Program Campaign. Reimbursement is obtained through the normal claim handling process.</b> |                                  |              |
| Claim Type (used only when uploading from the Dealer Bus. Sys.)   |                                  | <b>40</b>    |
| <b>Primary Labor Code</b>   | <b>Description</b>               | <b>Hours</b> |
| 1720-16-09-01   | Campaign, General 0.1 hr x qty 3 | 0.3          |
| <b>Expiration Date</b>  | <b>July 31, 2021</b>             |              |
| <b>Causal Part</b>  | <b>995524</b>                    |              |
| <b>Authorization Number</b>   | <b>S7514</b>                     |              |



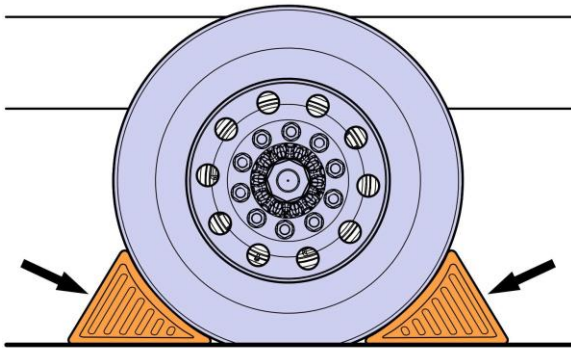
## Exterior Sun Visor Center Fasteners, Re-Torque

### **Decommissioning the Truck for Repair**

You must read and understand the precautions and guidelines in Service Information, group 30, "General Safety Practices, Electrical" before performing this procedure. If you are not properly trained and certified in this procedure, ask your supervisor for training before you perform it.

NOTE: Information is subject to change without notice. Illustrations are used for reference only and can differ slightly from the actual vehicle being serviced. However, key components addressed in this information are represented as accurately as possible.

1. Park the vehicle on a flat and level surface.
2. Apply the parking brake.
3. Place the transmission in neutral or park.
4. Install the wheel chocks.





Service Campaign – S7514

July 15, 2020

**Repair Procedure:**

1. Fasteners to be checked are in the picture below.



2. Retorque fasteners highlighted above to proper torque. The torques are cab dependent, please refer to the VIN table on the last page.



Service Campaign – S7514

July 15, 2020

8913Q2-002 VN/VHD DATE: 01/01/17  
SUNVISOR MOUNTING (USE LOCKING FLUID ON ALL FASTENERS)

L1/L3:

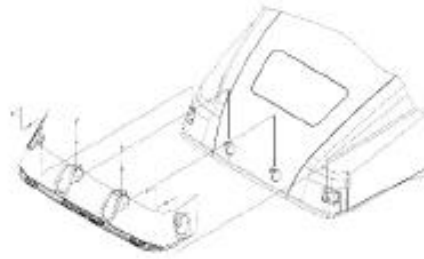
SUNVISOR TO MOUNTING BRACKETS AND SPACERS: M8 =  $10 \pm 1.5$  FT LBS ( $14 \pm 2$  Nm)

L5/L4E:

SUNVISOR TO CAB: M8 =  $18 \pm 3$  FT LBS ( $24 \pm 4$  Nm)



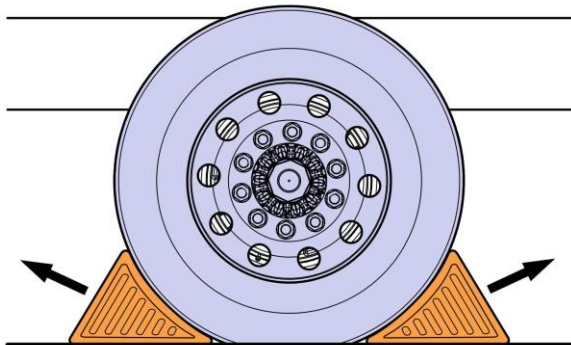
L1/L3



L5/L4E

## Commissioning the Truck for Operation

1. Remove the wheel chocks.





Service Campaign – S7514

July 15, 2020

| VIN               | CHASSIS SERIES | CHASSIS NO | MD  | CAB VERSION |
|-------------------|----------------|------------|-----|-------------|
| 4V4NC9EJ0MN262827 | NR             | 262827     | VN  | L4EH4       |
| 4V4NC9EJ2MN262828 | NR             | 262828     | VN  | L4EH4       |
| 4V4NC9EJ4MN262829 | NR             | 262829     | VN  | L5H4        |
| 4V4NC9EH9MN262838 | NR             | 262838     | VN  | L4EH4       |
| 4V4NC9EH0MN264820 | NR             | 264820     | VN  | L4EH4       |
| 4V4NC9EH6MN264823 | NR             | 264823     | VN  | L4EH4       |
| 4V4NC9EH7MN264829 | NR             | 264829     | VN  | L4EH4       |
| 4V4NC9EH1MN265443 | NR             | 265443     | VN  | L4EH4       |
| 4V4W19EH6MN265769 | NR             | 265769     | VN  | L4H2        |
| 4V4NC9EH3MN271602 | NR             | 271602     | VN  | L1H1        |
| 4V4NC9EH5MN271603 | NR             | 271603     | VN  | L1H1        |
| 4V4NC9EH7MN271604 | NR             | 271604     | VN  | L1H1        |
| 4V4NC9EH8MN271630 | NR             | 271630     | VN  | L1H1        |
| 4V4NC9EG4MN271745 | NR             | 271745     | VN  | L4EH4       |
| 4V4W19EG7MN272141 | NR             | 272141     | VN  | L1H1        |
| 4V4W19EG0MN272143 | NR             | 272143     | VN  | L1H1        |
| 4V4NC9EH9MN273435 | NR             | 273435     | VN  | L4EH4       |
| 4V4NC9EH0MN273436 | NR             | 273436     | VN  | L4EH4       |
| 4V4NC9EH4MN273438 | NR             | 273438     | VN  | L4EH4       |
| 4V4NC9EG7MN274283 | NR             | 274283     | VN  | L1H1        |
| 4V4NC9EG9MN274284 | NR             | 274284     | VN  | L1H1        |
| 4V4NC9EG0MN274285 | NR             | 274285     | VN  | L1H1        |
| 4V4NC9EG2MN274286 | NR             | 274286     | VN  | L1H1        |
| 4V4NC9EH6MN274901 | NR             | 274901     | VN  | L4EH4       |
| 4V4NC9EH8MN274902 | NR             | 274902     | VN  | L4EH4       |
| 4V4NC9EH9MN275105 | NR             | 275105     | VN  | L4EH4       |
| 4V4NC9EHXMN275128 | NR             | 275128     | VN  | L4EH4       |
| 4V5RC9EH4MN275350 | NR             | 275350     | VAH | L4H2        |
| 4V5KC9DGXMN276058 | NR             | 276058     | VHD | L1H1-BDE    |
| 4V4NC9EH7MN276673 | NR             | 276673     | VN  | L5H4        |
| 4V4NC9EH9MN276674 | NR             | 276674     | VN  | L5H4        |
| 4V4NC9EH0MN276675 | NR             | 276675     | VN  | L5H4        |
| 4V4NC9EH7MN277225 | NR             | 277225     | VN  | L5H4        |
| 4V4NC9EH0MN277227 | NR             | 277227     | VN  | L5H4        |
| 4V4NC9EH4MN277229 | NR             | 277229     | VN  | L5H4        |
| 4V4NC9EH7MN277290 | NR             | 277290     | VN  | L1H1        |
| 4V4WC9EH6MN277298 | NR             | 277298     | VN  | L3H1        |
| 4V4WC9EH4MN277302 | NR             | 277302     | VN  | L3H1        |
| 4V4NC9EH4MN277375 | NR             | 277375     | VN  | L3H1        |
| 4V4NC9EH4MN277408 | NR             | 277408     | VN  | L4EH4       |
| 4V4NC9EH5MN277451 | NR             | 277451     | VN  | L5H4        |
| 4V4NC9EH4MN277473 | NR             | 277473     | VN  | L4EH2       |
| 4V4NC9EH6MN277474 | NR             | 277474     | VN  | L4EH2       |
| 4V4NC9EH1MN277480 | NR             | 277480     | VN  | L4EH2       |
| 4V4NC9EH9MN277503 | NR             | 277503     | VN  | L5H4        |
| 4V4NC9EH0MN277521 | NR             | 277521     | VN  | L5H4        |
| 4V4NC9EH4MN277523 | NR             | 277523     | VN  | L5H4        |
| 4V4NC9EH6MN277524 | NR             | 277524     | VN  | L5H4        |
| 4V4NC9EH8MN277525 | NR             | 277525     | VN  | L5H4        |
| 4V4NC9EHXMN277526 | NR             | 277526     | VN  | L5H4        |
| 4V4NC9EH6MN277538 | NR             | 277538     | VN  | L5H4        |
| 4V4NC9EH4MN277540 | NR             | 277540     | VN  | L5H4        |
| 4V4NC9EH8MN277542 | NR             | 277542     | VN  | L5H4        |