

Dust Cover, Drive Axle, Replace  
 VN, VHD, VAH, VT

**FSB 519-001, Dust Cover, Drive Axle, Replacement**

(July 2020)

Certain Volvo Trucks VAH, VHD, VN and VT models produced between October 02, 2002, and June 08, 2020, and equipped with drive axle, dust covers, may experience premature failures of the drive axle dust cover.

**Solution**

If this condition exists, follow the procedures outlined in this FSB.

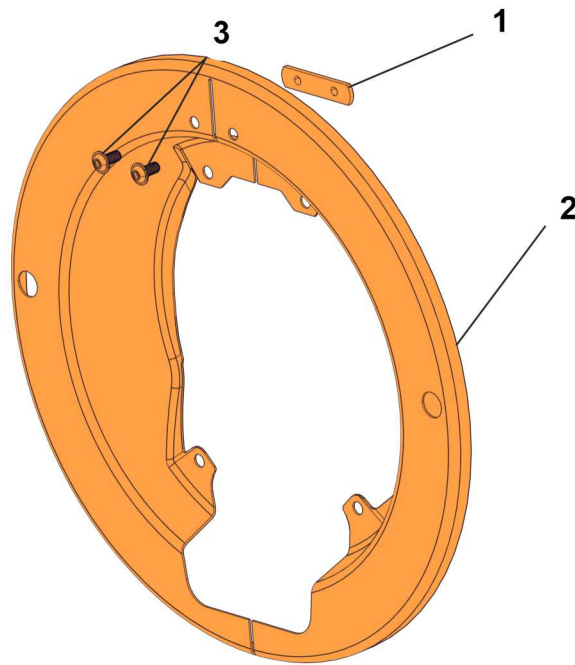
Order parts listed in required parts section and repair vehicles as per instructions outlined in this FSB.

Service personnel: Please circulate, read and initial

Service Manager	Warranty Administrator	Workshop Foreman	Service Technicians						

## Required Parts

1 Bendix Dust Cover.



T5161856

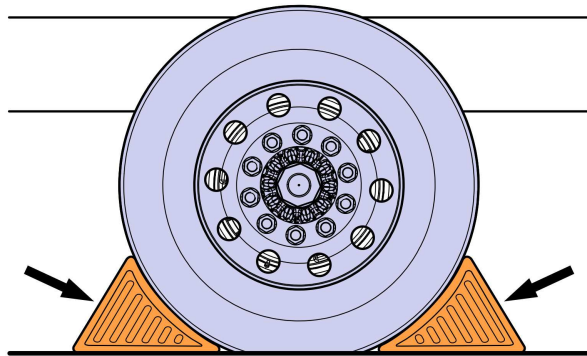
SI No	Part Description		New part number	Quantity
1	Bracket	Shield Kit	23778303	1
2	Dust cover			1
3	Fasteners			2

## Decommissioning the Truck for Repair

5 You must read and understand the precautions and guidelines in Service Information, group 71, "General Safety Practices, Body, Cab and HVAC" before performing this procedure. If you are not properly trained and certified in this procedure, ask your supervisor for training before you perform it.

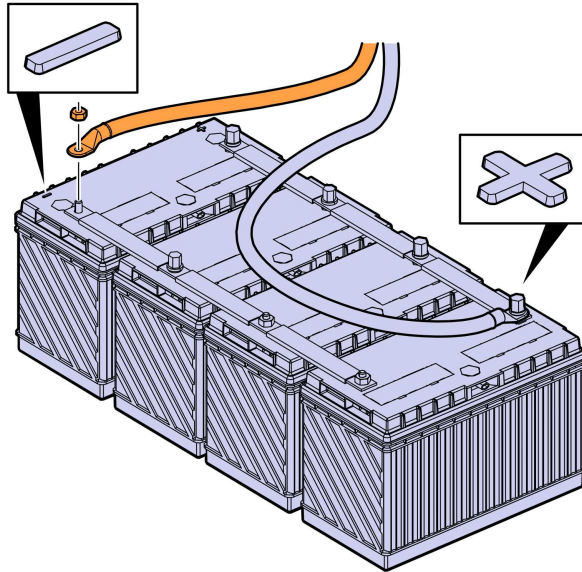
**NOTE:** Information is subject to change without notice. Illustrations are used for reference only and can differ slightly from the actual vehicle being serviced. However, key components addressed in this information are represented as accurately as possible.

- 1 Park the vehicle on a flat and level surface.
- 2 Apply the parking brake.
- 3 Place the transmission in neutral or park.
- 4 Install the wheel chocks.



W7086748

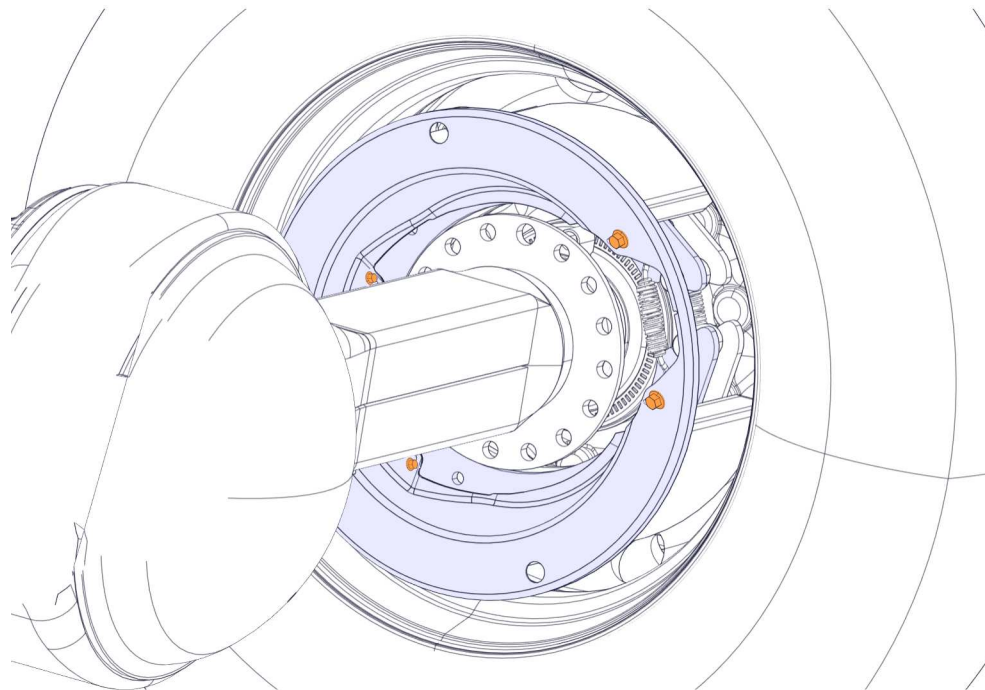
5 Disconnect the cable from the battery's negative terminal.



W3086747

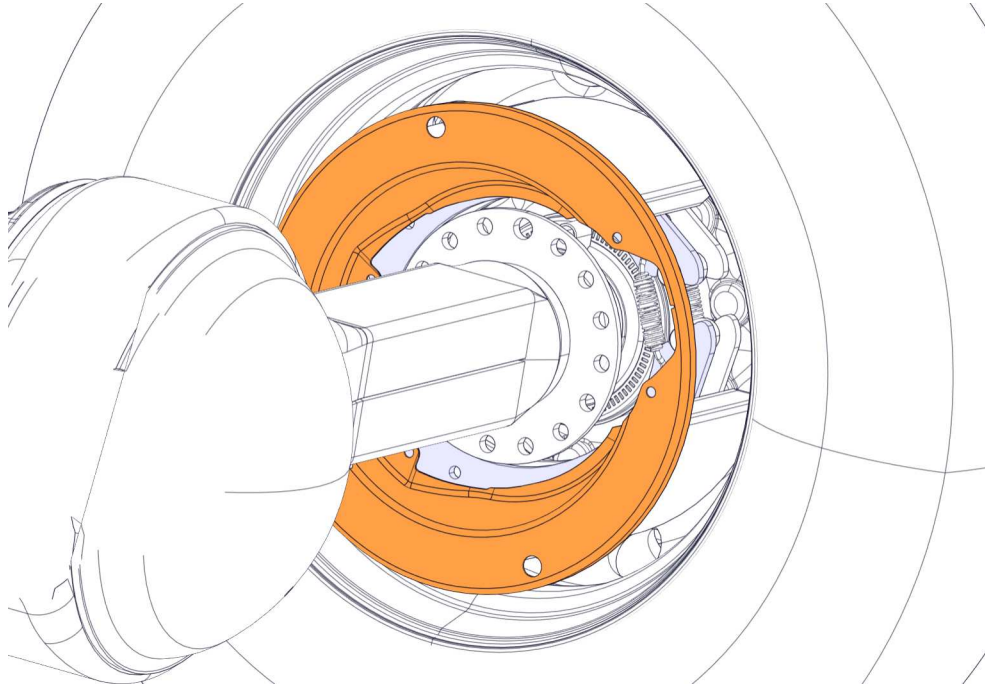
## Procedure

- 1 Remove the screws.



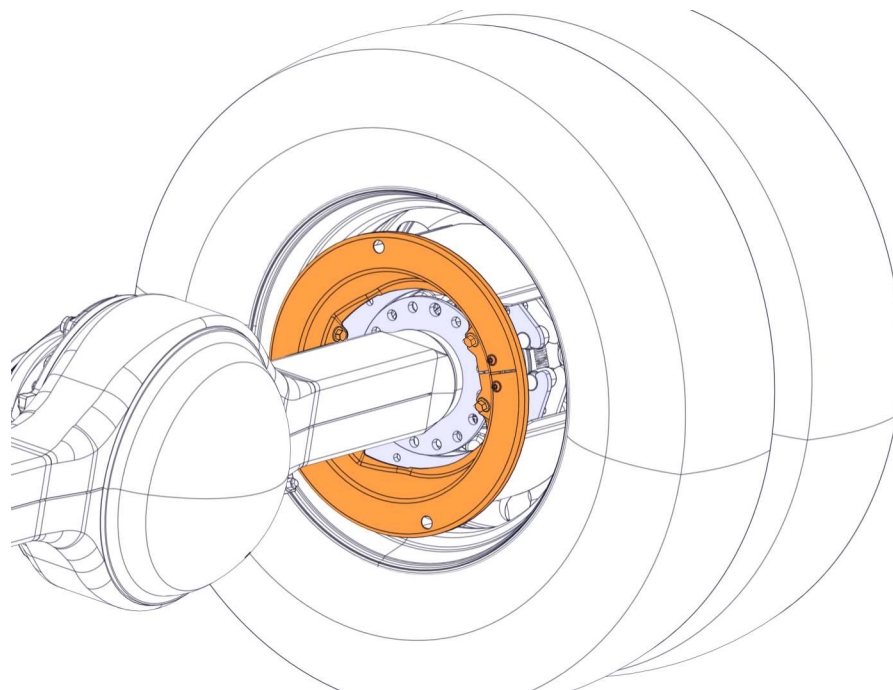
T5161853

2 Remove the dust cover.



T5161855

3 Install the new bendix dust cover.

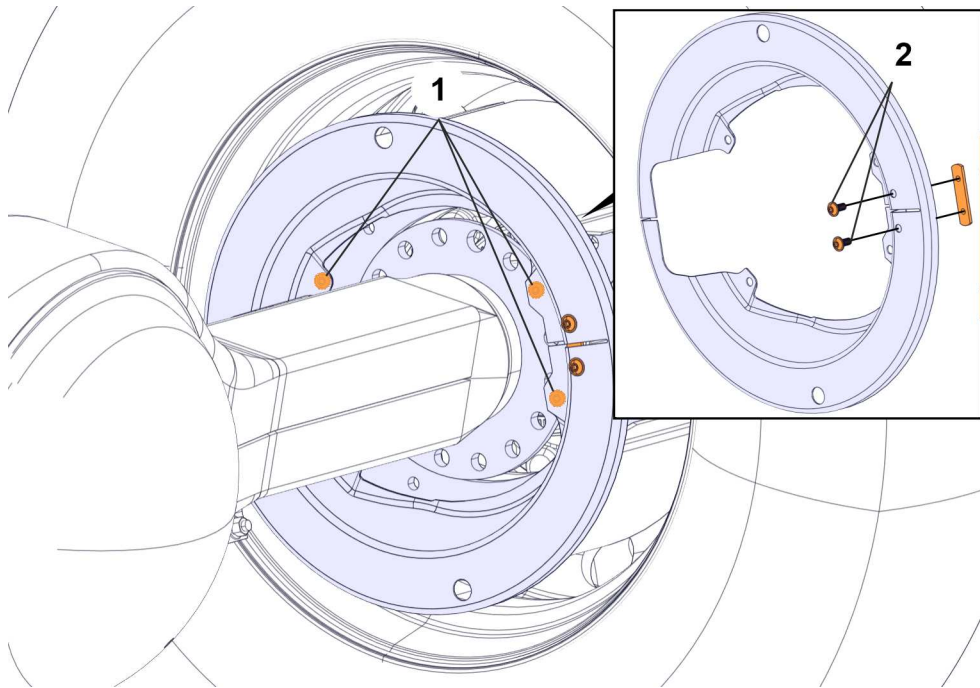


T5161857

4 Install the screws.

**Torque tighten the screws.**

1	Screw (Bendix Dust Cover)	24±40 Nm (18 ft,lbs)
2	Screw (additional bracket)	24±40 Nm (18 ft,lbs)

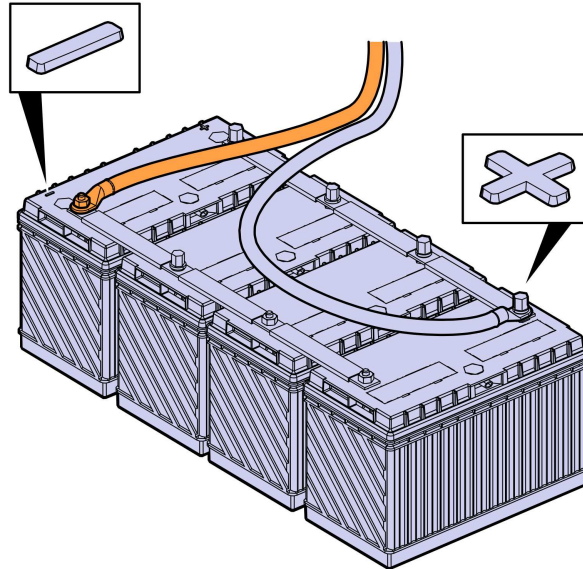


T5161858



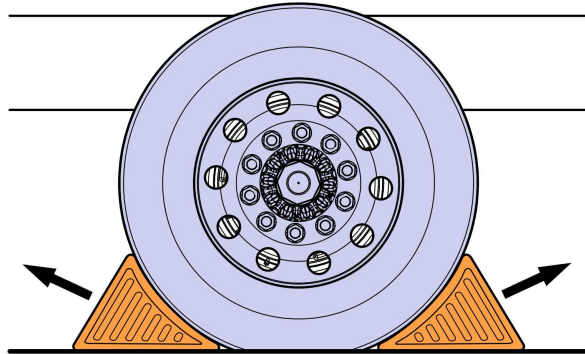
## Commissioning the Truck for Operation

- 1 Connect the battery cable to the negative (ground) terminal.



W3086758

2 Remove the wheel chocks.



W7086759

**Reimbursement**

<b>This repair may be eligible for reimbursement if a product failure was experienced within time and mileage limits of the applicable warranty coverage. Reimbursement is obtained via the normal claim handling process.</b>	<b>UCHP Reimbursement</b>
<b>Claim type (used only when uploading from the dealer Bus. Sys.)</b>	01
<b>Labour Code</b>	5129-03-02-16
<b>Standard time</b>	0.3 hrs

Volvo Trucks North America reserves the right to make any changes in design or to make additions to or upon its products without incurring any obligations to install the same on vehicles previously built.