



LIPPERT
COMPONENTS

SKIPPING TEETH ON TROUGH FRAME SLIDE-OUTS

TI - 376

SLIDE-OUTS

Purpose

This document outlines the procedure for correcting a crowned inner tube of a through frame slide-out caused by a bound gear pack. In the event that a through frame slide-out gear pack binds, the inner tube of the slide-out may be pushed upward creating a condition that crowns or bends the top of the outer tube creating enough space that will allow the gear pack to periodically skip teeth. The following field fix remedies the occurrence.

Safety

Read and understand all instructions before installing or operating this product. Adhere to all safety labels.

WARNING

The trailer MUST be supported per manufacturer's recommendations before working underneath. Failure to do so may result in death, serious personal injury, severe product and/or property damage.

WARNING

Always lift the trailer by its frame and never by its axle or suspension. Axle and suspension components are not designed, or rated, for the dead weight, point-of-contact loads that the trailer's frame is. Do not go under the trailer unless it is supported by appropriately rated jack stands. Improperly supported trailers can collapse, causing possible serious personal injury or death.

CAUTION

Moving parts can pinch, cut or crush. Keep clear and use caution.

CAUTION

Wear appropriate personal protective equipment (PPE) when performing service or maintenance operations. Always wear eye protection when servicing trailer axles, brakes, hubs, springs and wheels. Not using PPE may result in personal injury.



LIPPERT
COMPONENTS

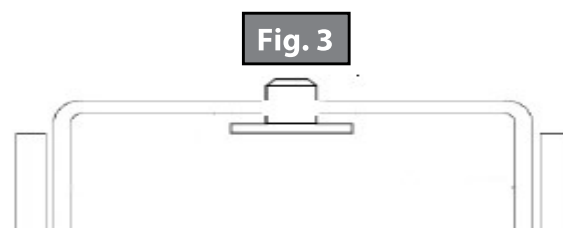
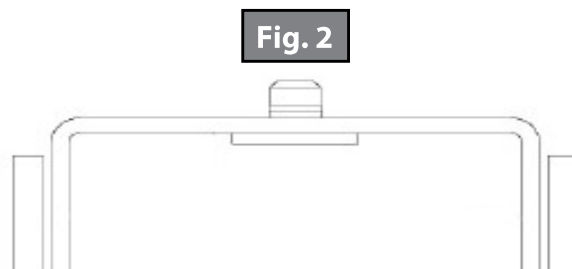
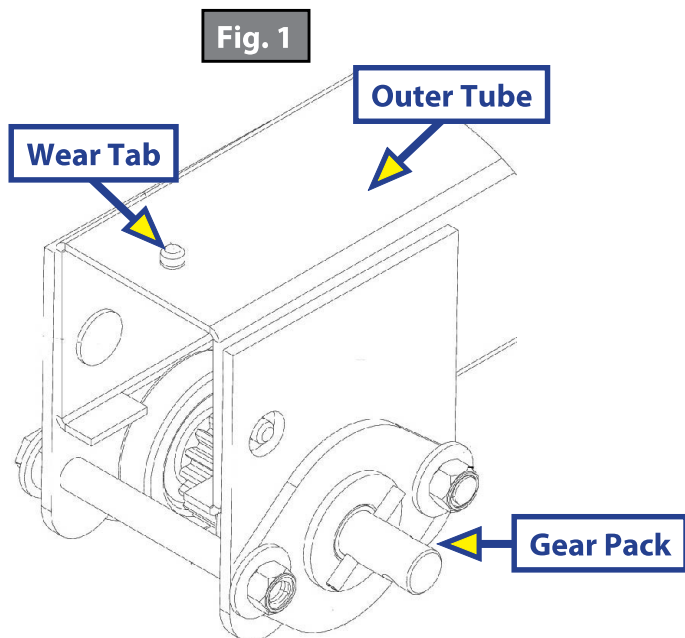
SKIPPING TEETH ON TROUGH FRAME SLIDE-OUTS

TI - 376

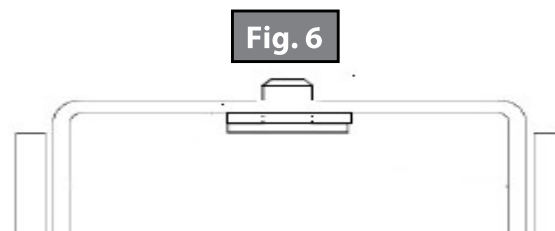
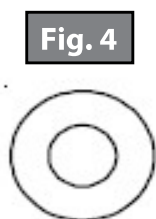
SLIDE-OUTS

Procedure

1. Extend slide-out room.
2. Locate the end of the slide-out assembly where the gear pack is fastened (Fig. 1).
3. Inspect top of outer tube for crowning, where top center of tube is higher than top sides (Fig. 2).
4. If outer tube is crowned, tap portion of the wear tab protruding from the top of the outer tube down, being careful not to remove the wear tab (Fig.3).



5. Take a 5/16" flat washer (Fig. 4), and remove a notch equal to the diameter of the hole (Fig. 5).
6. Slide the notched washer into the gap created when the wear tab was tapped out (Fig. 6).
7. Slide a pry bar or screwdriver under the cap of the wear tab and push it up to seat it properly into place.



8. Reset timing on the drive (actuator) side.
9. Remove front bolt from gear pack.
10. Loosen rear bolt in rear of gear pack and pull down on gear pack so it swings away from rack.
11. Push wall switch to extend or retract, whichever direction is lagging, to even up slide room.
12. Reposition gear pack and replace and tighten bolts.

As a supplier of components to the RV industry, safety, education and customer satisfaction are our primary concerns. Should you have any questions, please do not hesitate to contact us at (574) 537-8900 or by email at customerservice@lci1.com. Self-help tips, technical documents, product videos and a training class schedule are available at lci1.com or by downloading the MyLCI app.