



SLINGSHOT



POLARIS



Team Tips

ARTICLE: T-17-05-01
DATE: May 19, 2017

Published for Polaris Dealerships, Distributors, and Service Technicians

SUBJECT: SLINGSHOT – T-16-06 Safety Bulletin Procedure Update: Grommet Installation

MODELS: 2015-2017 SLINGSHOT MODELS

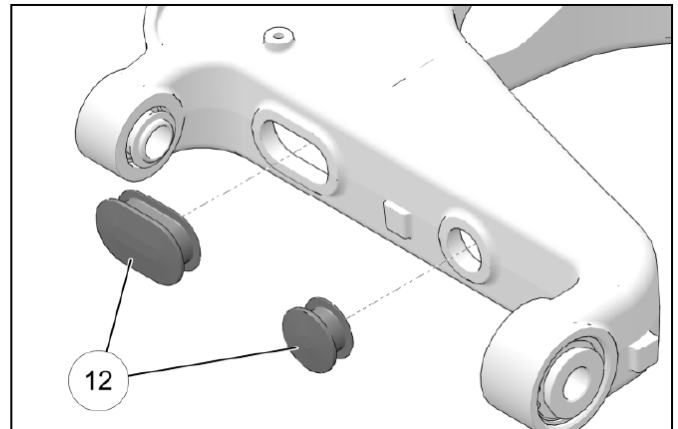
Safety Bulletin T-16-06 has been updated to reflect an additional procedure. Polaris has determined that (PN 2207085-XXX) swingarm kits being shipped to dealers did not include two rubber grommets in the swingarm. If the rubber grommets were not included in the kit, remove the grommets from the original swingarm and install into the new swingarm as part of the procedure.

Starting in early May 2017, swingarm kits were produced with the grommets already installed.

*** If grommets are installed, no further action is required.**

Swingarm Kit:	2207085-XXX
Round Grommet:	5414601
Oval Grommet:	5414602

23. Remove two rubber grommets ⑫ from the swingarm.



INSTALLATION

1. Install two rubber grommets ⑫ into new swingarm.

NOTE

If the swingarm kit did not include new grommets, use the grommets that were removed from the original swingarm.

NOTE

Wet the edge of the grommet to aid in installation.

