

**FT4892 CAC elbow hose failures NYCT**

**Technical writer name**  
Devanand

**Manual section** 9

Material	Part Number	QTY
ELBOW 90° SILICONE PIPE 4".I.D.	N75007	1

**Nb hours Level 1** 1h **MQR** 7621-1981

Disposal of parts		
Removed parts are:		When the retained check box is checked, the parts must be retained and returned in accordance with the usual warranty procedure to be reimbursed.
Discarded	Retained	
X	-	

Client	Order	Road numbers		VIN		QTY	Lang.	Customer	Target market	Plant	Config moteur	Model	NR	R1
New York City Transit - New York	LA76	8508	8633	L82J9J9776924	L82J8K9777144	125	E	NYCT	US	PLB	TD	40	X	
New York City Transit - New York	LC32	8634	8754	L82JXK9777145	L82J5K9777277	121	E	NYCT	US	PLB	TD	40	X	

Jean-Nicolas  
Fournier

Digitally signed by Jean-Nicolas Fournier  
DN: cn=Jean-Nicolas Fournier, o=Nova Bus,  
email=jean-nicolas.fournier@nova.com, c=CA  
Date: 2020.08.11 14:56:37 -0400

# Service Instruction

## QJ 7621- 1981 - CAC elbow hose failures

### GENERAL INFORMATIONS

Document	REV	Date	By
SERVICE INSTRUCTIONS 7621-1981	NC	2020-05-13	O. Corriveau

Order Affected / Effectivity	Road Number	Customers	QTY
LA76	-	NYCT	125
LC32	-	NYCT	121

### SYSTEM and PARTS:

System Name	Change Air Cooler piping
Option	409341.XX
Drawing	409341NBXX
Part	N75007

Image

#### Reason for Modification / Background:

Fiber material should be Woven Aramid Fabric, but some parts have knitted Aramid.

### MATERIAL

Item	QTY	PART NO	REV	DESCRIPTION	REPLACES PART N°
LEVEL 1					
1	1	N75007	-	Elbow - Silicon Rubber	Same
2					
3					
LEVEL 2					

SRT	Type	Time
	Inspection	-
	Installation	60 min

### SPECIAL INSTRUCTION / IMPORTANTE NOTICE

No	Tools Needed:
1	na
2	
3	

#### Important notices

...

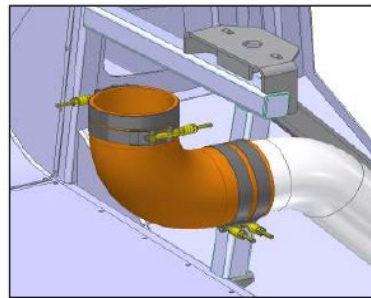
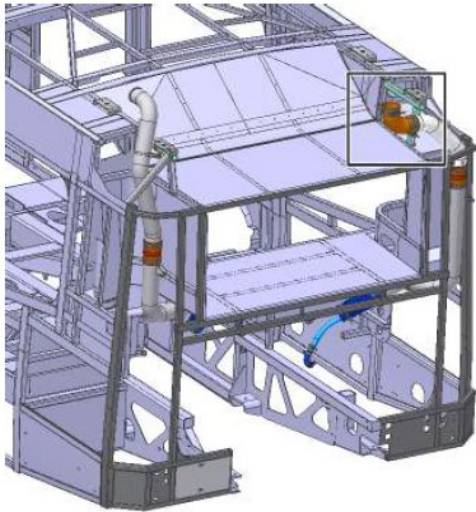
## DESCRIPTION / WORK INSTRUCTION

### Step # 1:

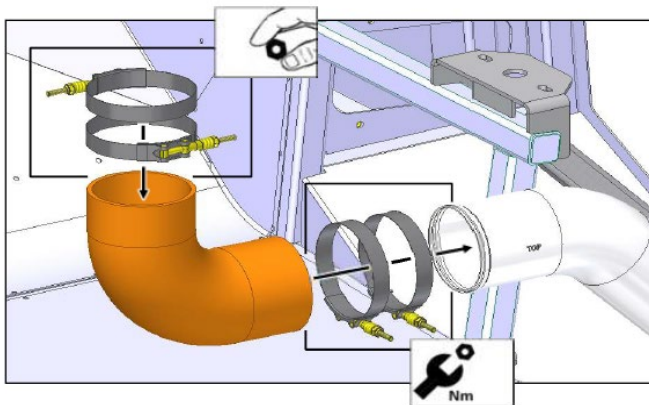
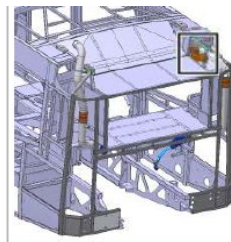
Install new elbow N75007 and discard the old one. Reuse the clamp N12883, torque at 17 +/- 2 Nm.

### Photo / Image :

Étape: 1 INSTALLER COUDE ET CLAMPS		
1		MEMO
COUPLE= 17 ±2Nm		
1	N12883	CLAMP SPRING T-BOLT
1	N75007	ELBOW 90° SILICONE PIPE 4" I.D.



STEP 1



17 +/- 2 Nm