

FT4944 Radiator Canopy bottom assembly bolts loosening

Technical writer name
Devanand

Manual section 01

First Level Parts		
Material	Part Number	QTY
-	-	-

Nb hours Level 1 0.25 hr **MQR** 7621-2124

Second Level Parts (20% of 415 vehicles)		
Material	Part Number	QTY
SCREW M8X25 MACH PAN CR SS	N71421	3
WASHER FLAT M8 OVERSIZE SS	N28219	3
WASHER LOCK CURV M8 SS DIN 128	N28220	3

Disposal of parts		
Removed parts are:		When the retained check box is checked, the parts must be retained and returned in accordance with the usual warranty procedure to be reimbursed.
Discarded	Retained	
-	-	

Shop Supply (100% of 415 vehicles)		
Material	Part Number	QTY
THREAD LOCKER BLUE	9985283	50 ml

Note:
9985283 (THREAD LOCKER BLUE)
1 ea = 50 ml
0.15ml/bus
62.25 ml for 415 buses
1.2 ~ 2 Bottle for the entire Campaign

Client	Order	Road numbers	VIN		QTY	Lang.	Customer	Target market	Plant	Config moteur	Model	NR	R1
New York City Transit - New York	L958	5439 5442	S92J9G9775533	S92J9G9775631	4	E	NYCT	US	PLB	TD	60	x	
New York City Transit - New York	L959	5443 5443	S92J0H9776118	S92J0H9776118	1	E	NYCT	US	PLB	TD	60	x	
New York City Transit - New York	LB59	5444 5484	S92J7H9776195	S92J6H9776379	41	E	NYCT	US	PLB	TD	60	x	
New York City Transit - New York	LA23	5485 5530	S92J5J9776380	S92J6J9776517	46	E	NYCT	US	PLB	TD	60	x	
New York City Transit - New York	LB29	5531 5566	S92J9J9776687	S92J6J9776873	36	E	NYCT	US	PLB	TD	60	x	
New York City Transit - New York	LB99	5567 5602	S92J2J9776935	S92J5K9777000	36	E	NYCT	US	PLB	TD	60	x	
New York City Transit - New York	LA73	8504 8507	L82J8J9776445	L82J8J9776476	4	E	NYCT	US	PLB	TD	40	x	
New York City Transit - New York	LA76	8508 8525	L82J9J9776924	L82J6J9776976	18	E	NYCT	US	PLB	TD	40	x	
New York City Transit - New York	LB78	8526 8526	L82J3K9776984	L82J3K9776984	1	E	NYCT	US	PLB	TD	40	x	
New York City Transit - New York	LA76	8527 8633	L82J5K9777005	L82J8K9777144	107	E	NYCT	US	PLB	TD	40	x	
New York City Transit - New York	LC32	8634 8754	L82JXK9777145	L82J5K9777277	121	E	NYCT	US	PLB	TD	40	x	

Jean-Nicolas Fournier Digitally signed by Jean-Nicolas Fournier
DN: cn=Jean-Nicolas Fournier, o=Novo Bus,
email=jean-nicolas.fournier@volvo.com, c=CA
Date: 2020.08.21 11:07:17 -0400

Service Instruction

QJ 7621- 2124 – Rear Canopy Bottom Bolts Loosening

GENERAL INFORMATIONS

Document	REV	Date	By
Rear canopy bottom bolts loosening	2	6/29/2020	J. Vaughan

Order Affected / Effectivity	Road Number	Customers	QTY
L958 , L959		NYCT	5
LA23, LA73 LA76		NYTC	175
LB29, LB59, LB78, LB99		NYCT	114
LC32		NYTC	121

SYSTEM and PARTS:

System Name	Rear radiator grill
Option	01-426.38
Drawing	401426NB35
Part	N81913



Reason for Modification / Background:

Loctite to be applied on bottom bolts

Cause of Failure:

Grill removed to paint the bus and not installed back on per the assembly drawings

MATERIAL

Item	QTY	PART NO	REV	DESCRIPTION	REPLACES PART N°
LEVEL 1					
1	1	9985283	1	Loctite Blue	
LEVEL 2					
1	1	N71421	1	Screw	Same
2	1	N28220	1	Washer	Same
3	1	N28219	1	Washer	Same

SRT	Type	Time
	Procedure	15 minutes

SPECIAL INSTRUCTION / IMPORTANTE NOTICE

No	Tools Needed:
1	#3 Phillips head screwdriver
2	Degreaser
3	Torque wrench
4	Torque seal

DESCRIPTION / WORK INSTRUCTION

1. Locate the rear radiator canopy grill

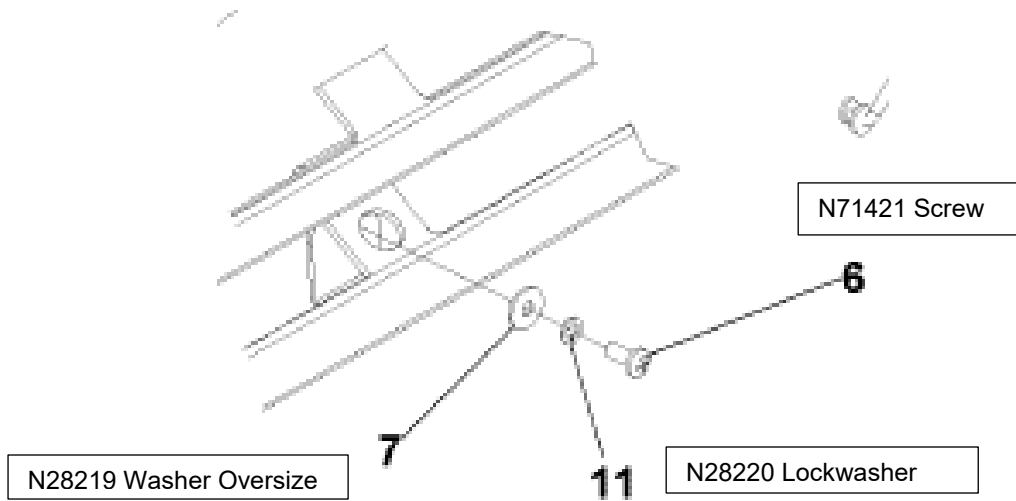


2. Place ladder behind bus
3. Starting with the bottom, left hardware assembly on the radiator grill, remove the N71421 Screw, N28220 Lockwasher, N28219 Washer Oversize using a #3 Phillips head screwdriver
 - a. Note: if the hardware is missing, reinstall new hardware (level 2 parts)
 - b. Be sure to clean any reused hardware and interior threads with degreaser to remove any debris



c.

4. Add 9985283 Thread Locker Blue to the screw thread
5. Install the screw and washers into the rivnut and tighten using a Phillips # 3 head screwdriver.



6. Torque to 19.1 Nm with a torque wrench. Apply torque seal.
7. Repeat for the other two bottom locations

