

DOORS

Purpose

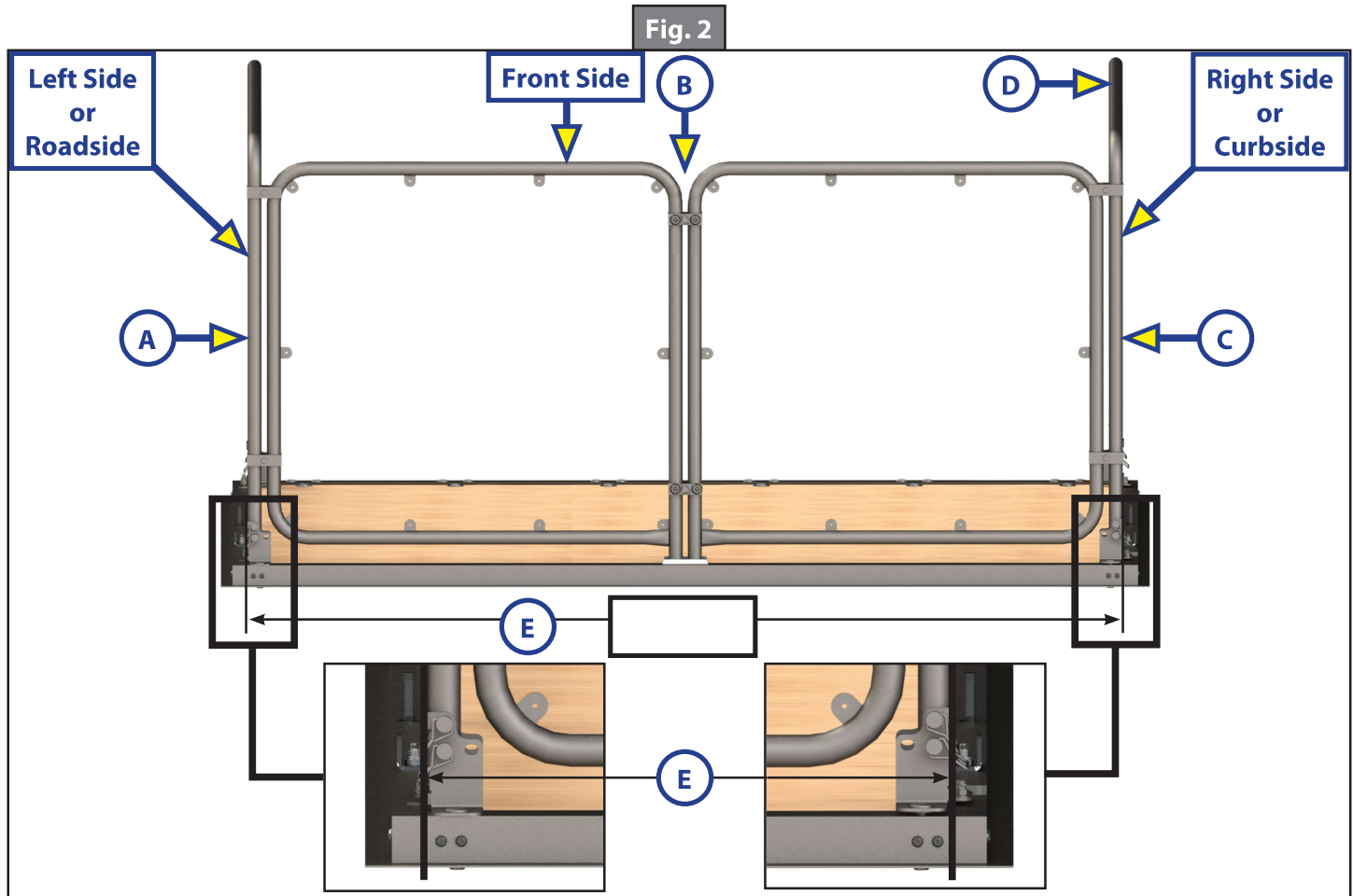
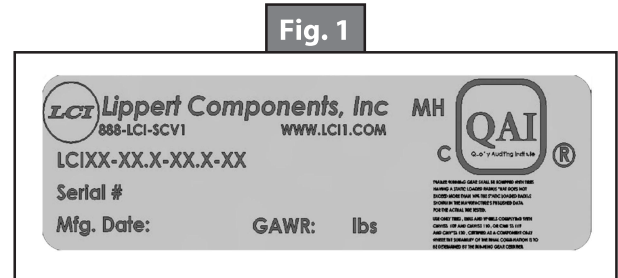
This document outlines the necessary steps for correctly ordering a replacement patio rail kit panel.

Procedure

1. If available, take a picture of the warranty label (Fig. 1), located on the right side/curbside, top rail, near the doorjamb of the patio rail kit (Fig. 2D) and send to customer service. Once customer service has the picture, they can verify the size and color needed. If the label is unavailable, the panels will need to be measured.
2. If actual measurements are needed, when standing facing the rear of the unit, determine if it is a left side/roadside (Fig. 2A), front side (Fig. 2B) or right side/curbside (Fig. 2C), panel to be replaced.

NOTE: Note the measurement of the panel in the black outlined box area provided to order the replacement.

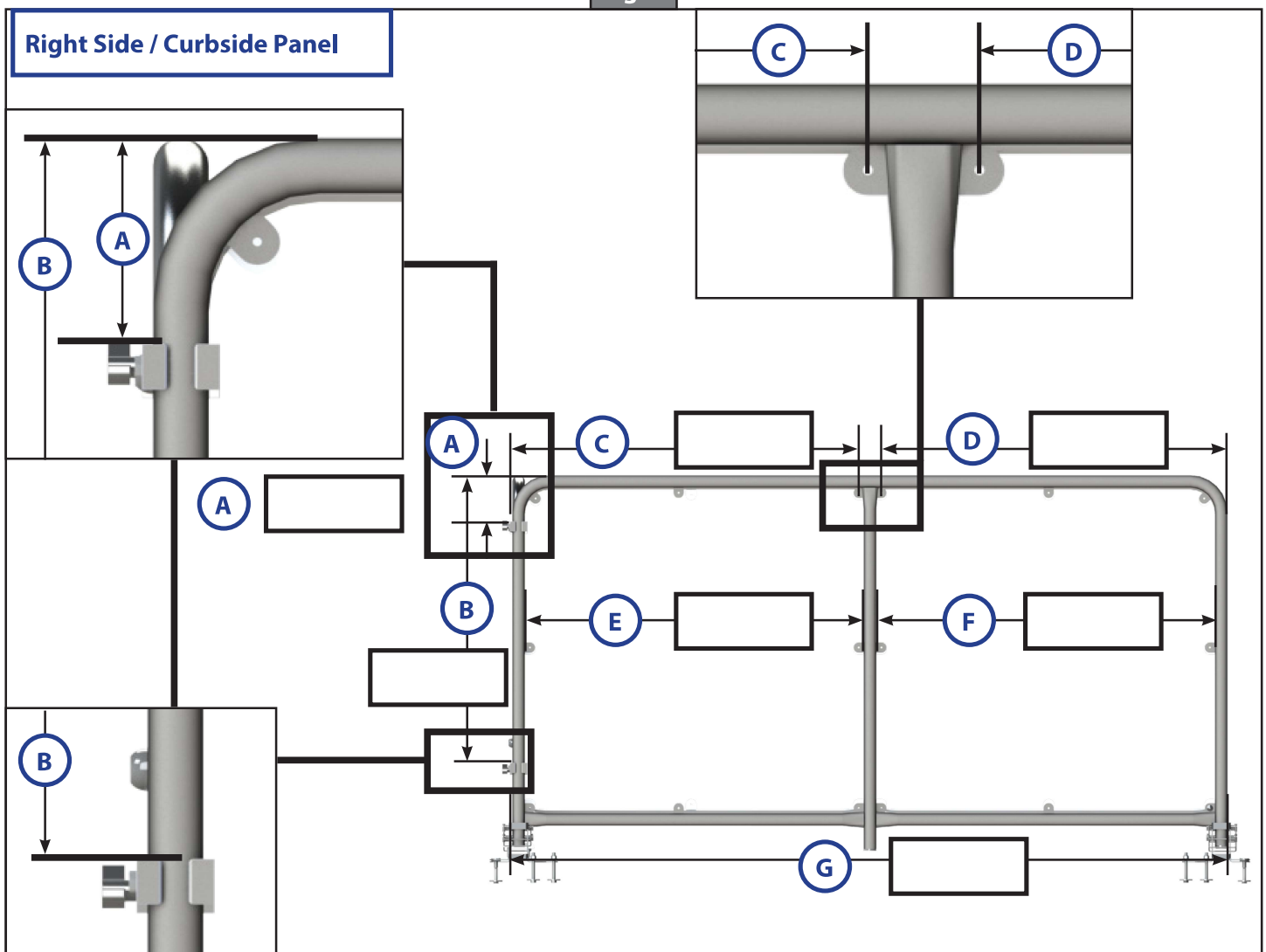
3. If the front panels need to be ordered, measure the width from outside edge of the front foot to the outside edge of the opposite front foot (Fig. 2E).



DOORS

4. If ordering a right side/curbside panel;
 - A. Measure the length from the top of the rail tubing to the top of the coupler (Fig. 3A).
 - B. Measure the length from the top of the rail tubing to the top of the lower coupler (Fig. 3B).
 - C. Measure the width from the outside edge of the rail tubing to the inside fastener hole center (Fig. 3C).
 - D. Measure the width from the inside fastener hole center to the outside edge of the rail tubing (Fig. 3D).
 - E. Measure the width from the inside edge of the outside tubing to the inside center edge of center tubing (Fig. 3E).
 - F. Measure the width from the inside edge of center tubing to the inside edge of the outside tubing (Fig. 3F).
 - G. Measure the width from the outside edge of the tubing to the opposite outside edge of tubing (Fig. 3G).

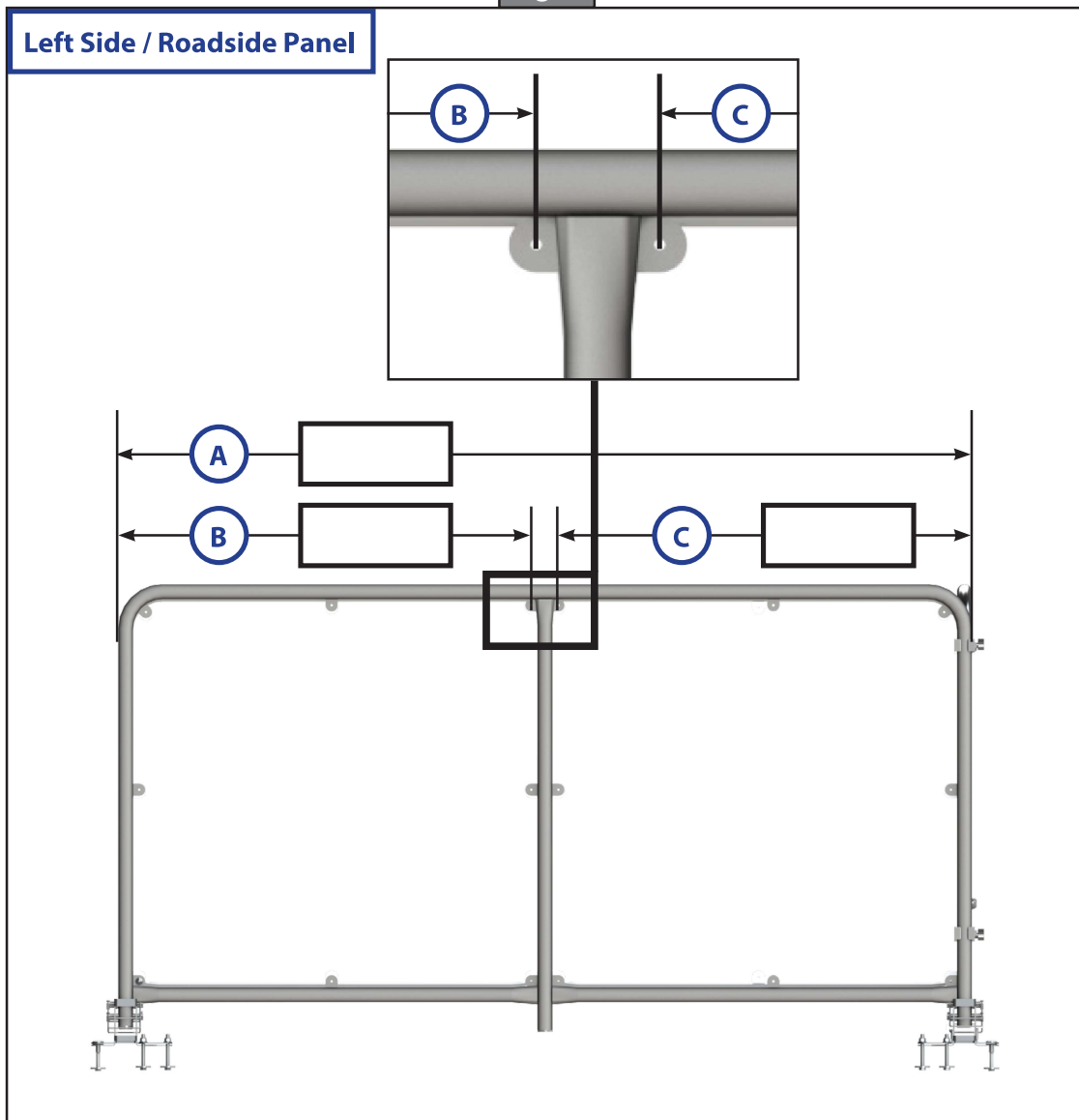
Fig. 3



DOORS

5. If ordering a left side/roadside panel;
 - A. Measure the length from the outside edge of the tubing to the opposite outside edge of tubing (Fig. 4A).
 - B. Measure the length from the outside edge of the top tubing to the top inside screw hole center (Fig. 4B).
 - C. Measure the length from the top inside screw hole center to the top outside edge of the tubing (Fig. 4C).

Fig. 4



As a supplier of components to the RV industry, safety, education and customer satisfaction are our primary concerns. Should you have any questions, please do not hesitate to contact us at (574) 537-8900 or by email at customerservice@lci1.com. Self-help tips, technical documents, product videos and a training class schedule are available at lci1.com or by downloading the MyLCI app.