



TECHNICAL SERVICE BULLETIN

Washer Fluid Leak At Front Camera Washer Jet When Not In Use

20-2267
08 September
2020

Model:

Ford 2018-2020 Expedition
2015-2020 F-150
2017-2020 F-Super Duty

Issue: Some 2015-2020 F-150 except Raptor, 2017-2020 F-Super Duty, 2018-2020 Expedition vehicles equipped with a front camera washer may exhibit a washer fluid leak at the front camera washer jet when not in use. This may be due to the rubber seal internal to the jet. To correct the condition, follow the Service Procedure to replace the washer jet.

Action: Follow the Service Procedure steps to correct the condition on vehicles that meet all of the following criteria:

- One of the following vehicle lines:
 - 2015-2020 F-150 (non-Raptor)
 - 2017-2020 F-Super Duty
 - 2018-2020 Expedition
- Washer fluid leak at front camera washer jet

NOTE: Part quantity refers to the number of that service part number required, which may be different than the number of individual pieces. Service part numbers contain 1 piece unless otherwise stated. "As Needed" indicates the part is required but the number may vary or is not a whole number; parts can be billed out as non-whole numbers, including less than 1.

Parts

Part Number	Description	Quantity
HC3Z-17603-B	Front Washer Jet	1

Warranty Status: Eligible under provisions of New Vehicle Limited Warranty (NVLW)/Service Part Warranty (SPW)/Special Service Part (SSP)/Extended Service Plan (ESP) coverage. Limits/policies/prior approvals are not altered by a TSB. NVLW/SPW/SSP/ESP coverage limits are determined by the identified causal part and verified using the OASIS part coverage tool.

Labor Times

Description	Operation No.	Time
2015-2017 F-150: Replace The Front Camera Washer Jet Includes Time To Remove And Install Radiator Grill And Perform 360 Degree Camera Alignment (Do Not Use With Any Other Labor Operations)	202267A	1.6 Hrs.
2018-2020 F-150: Replace The Front Camera Washer Jet Includes Time To Remove And Install Radiator Grill And Perform 360 Degree Camera Alignment (Do Not Use With Any Other Labor Operations)	202267B	1.3 Hrs.
	202267C	1.9 Hrs.

2018-2020 Expedition: Replace The Front Camera Washer Jet Includes Time To Remove And Install Radiator Grill And Perform 360 Degree Camera Alignment (Do Not Use With Any Other Labor Operations)		
2017-2020 F-Super Duty: Replace The Front Camera Washer Jet Includes Time To Remove And Install Radiator Grill And Perform 360 Degree Camera Alignment (Do Not Use With Any Other Labor Operations)	202267D	1.0 Hrs.

Repair/Claim Coding

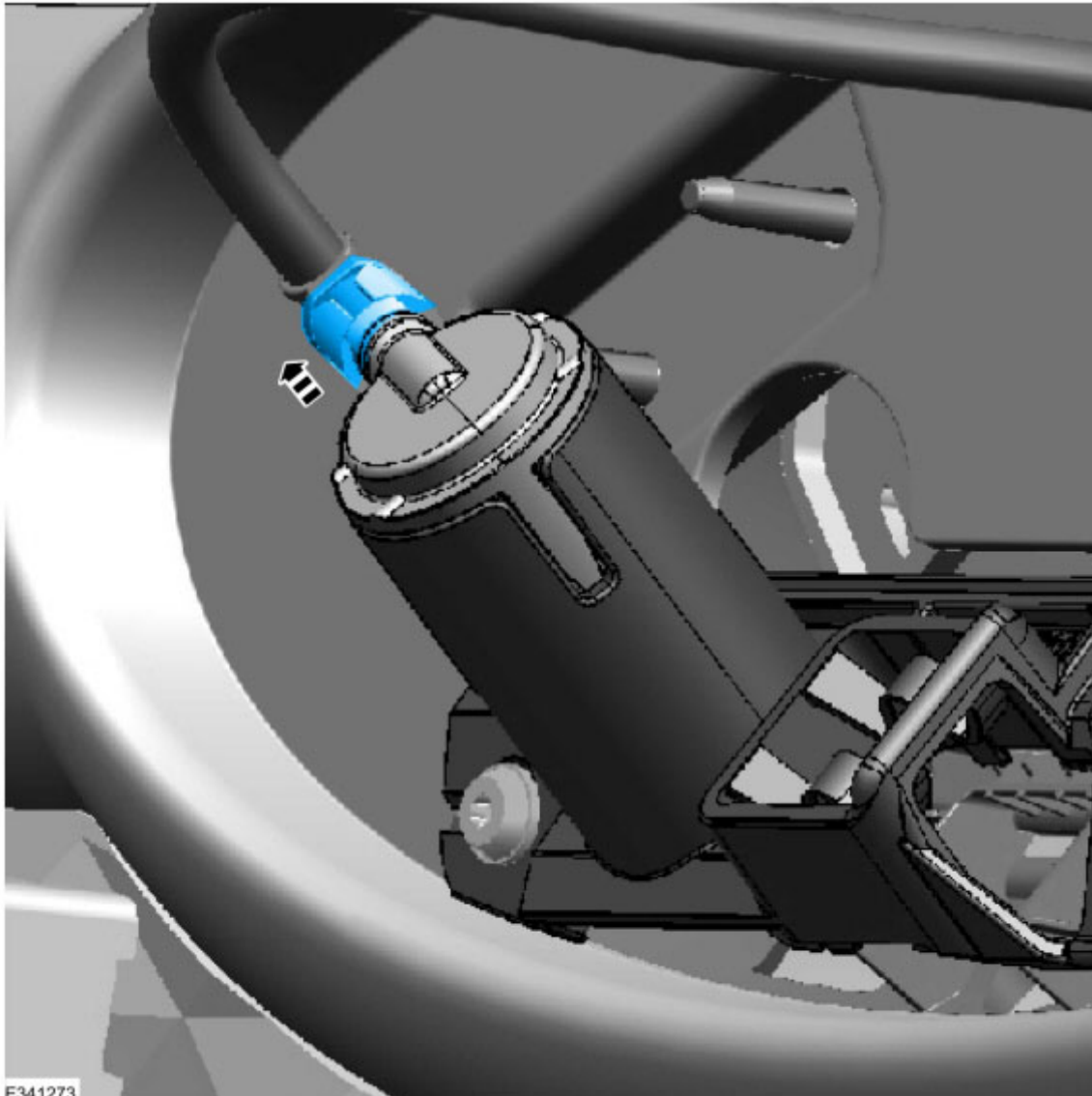
Causal Part:	17603
Condition Code:	42

Service Procedure

1. Remove the radiator grille. Refer to Workshop Manual (WSM), Section 501-08.
2. For F-150/Expedition vehicles, remove the hose from washer jet if still attached. (Figure 1)

NOTE: The washer jet hose for the F-Super Duty detaches during grille removal.

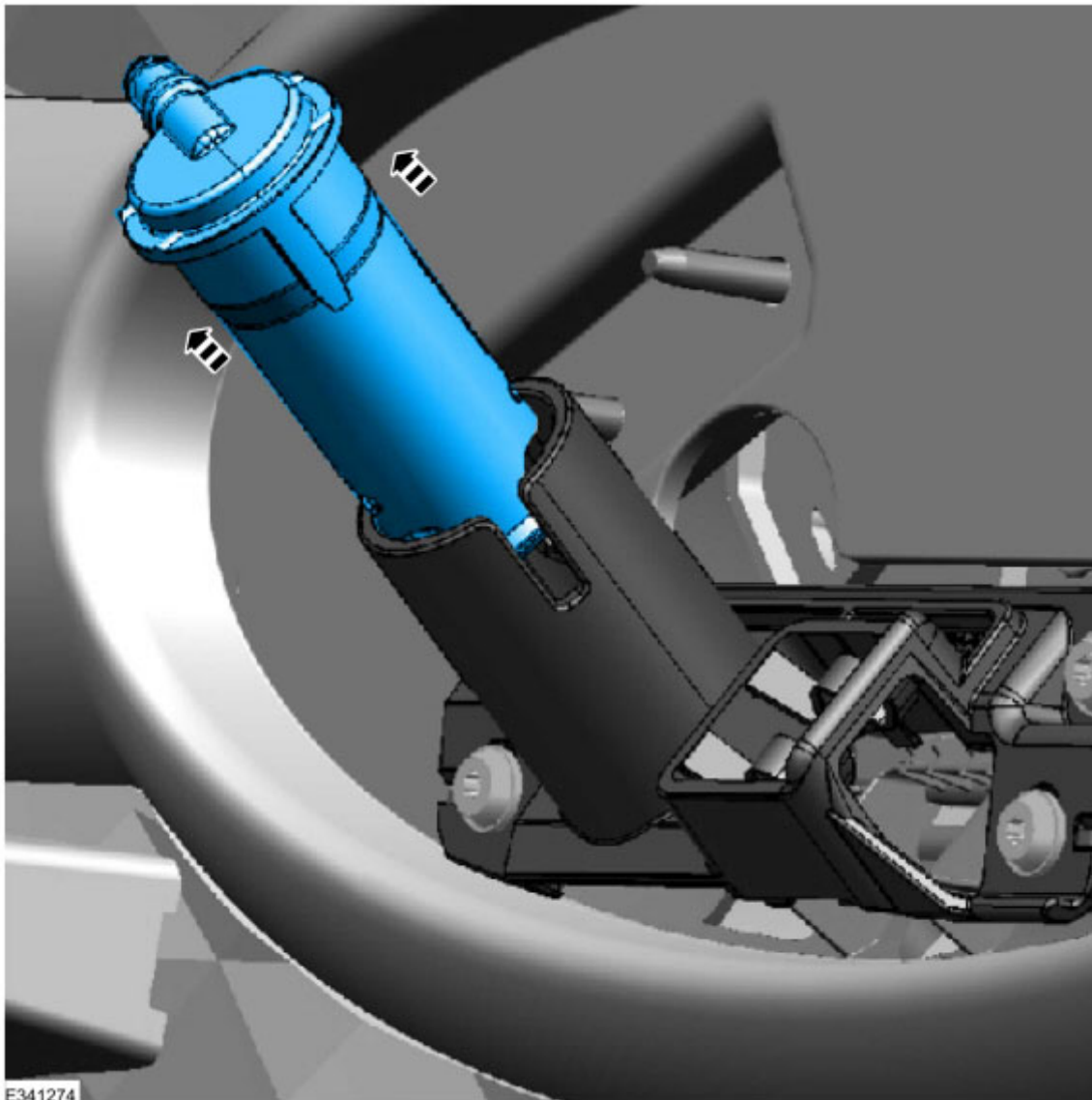
Figure 1



3. Replace the washer jet.

(1). To remove the washer jet, pull the washer jet out of the grille. (Figure 2)

Figure 2



4. To install the new washer jet, reverse the removal procedure.

© 2020 Ford Motor Company

All rights reserved.

NOTE: The information in Technical Service Bulletins is intended for use by trained, professional technicians with the knowledge, tools, and equipment to do the job properly and safely. It informs these technicians of conditions that may occur on some vehicles, or provides information that could assist in proper vehicle service. The procedures should not be performed by "do-it-yourselfers". Do not assume that a condition described affects your car or truck. Contact a Ford or Lincoln dealership to determine whether the Bulletin applies to your vehicle. Warranty Policy and Extended Service Plan documentation determine Warranty and/or Extended Service Plan coverage unless stated otherwise in the TSB article. The information in this Technical Service Bulletin (TSB) was current at the time of printing. Ford Motor Company reserves the right to supersede this information with updates. The most recent information is available through Ford Motor Company's on-line technical resources.