

Air drier mounting fasteners, replace
VN, VHD

FSB 561-030, Air drier mounting fasteners, replace

(September 2020)

On certain Volvo truck models VN and VHD built between June 03, 2019 and September 16, 2019 and equipped with a Wabco SS1200UP or Wabco ECAD air dryer, there may not be an acceptable amount of clearance to replace the air dryer filter cartridge. If this condition exists, follow the procedures outlined in this Field Service Bulletin (FSB). Order parts listed in required parts section and replace the air drier mounting fasteners per instructions outlined in this Field Service Bulletin (FSB).

Required Parts

Part Description	New part number	Quantity
Flange screw	23706357	3
Spacer sleeve	20785497	3

Procedure

Note: All threaded fasteners that do not have a tightening torque specification in the information are tightened to a standard torque. Standard torques are available in the following specification. ➔ Standard tightening torques



CAUTION

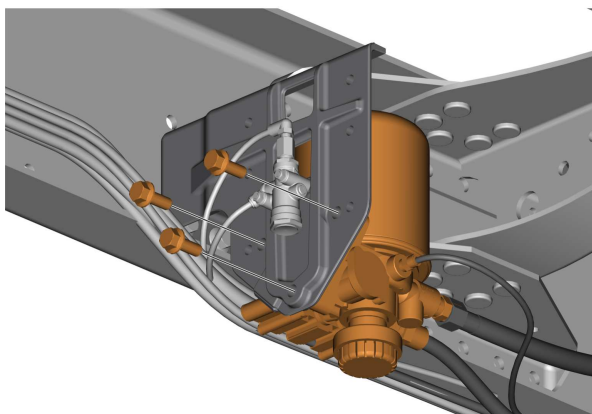
Important safety information.

Improperly performed work can cause personal injury or product damage. Pay close attention to reading through and understanding the information before work. Follow the instructions carefully during the course of the work.

- 1 Remove the screws and air drier.

Note: Sufficient slack is available to remove the air drier without disconnecting the electrical and pneumatic connections.

Note: Secure the air drier with electrical and pneumatic connections.

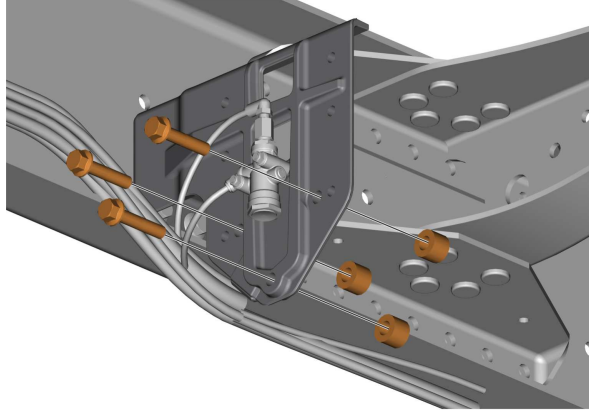


T5162607

Required parts:

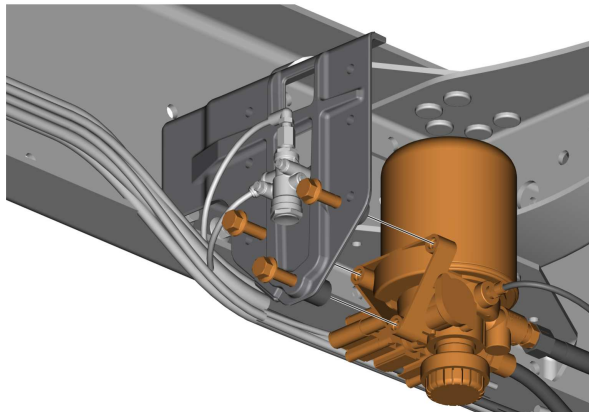
Part Description	New part number	Quantity
Flange screw	23706357	3
Spacer sleeve	20785497	3

2 Install the new screws and spacer sleeves.



T5162608

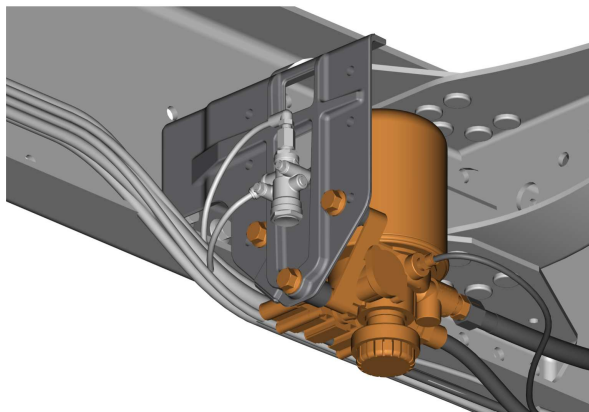
3 Position the air drier and hand tighten the screws.



T5162609

4 Torque tighten the screws.

Tightening torque	
Air drier, mounting screw	50 ± 5 Nm (37 ± 3 lbf·ft)



T5162610

Reimbursement

This repair may be eligible for reimbursement if a product failure was experienced within time and mileage limits of the applicable warranty coverage. Reimbursement is obtained via the normal claim handling process.	UCHP Reimbursement
Claim type (used only when uploading from the dealer Bus. Sys.)	01
Labor Code	
FSB 561-030, Air drier mounting fasteners, replace	5618-03-09-04 (0.5 hrs)
Causal Part	8397042

Volvo Trucks reserves the right to make any changes in design or to make additions to or upon its products without incurring any obligations to install the same on vehicles previously built.