

DOORS

Purpose

This document outlines the procedure to align, raise or lower the gate of the patio rail kit in the closed position.

Safety

CAUTION

The "CAUTION" symbol above is a sign that a safety risk is involved and may cause personal injury and/or product or property damage if not safely adhered to and within the parameters set forth in this document

CAUTION

Moving parts can pinch, crush, or cut. Keep clear at all times.

Procedure

NOTE: The Patio Rail Kit mesh panels are removed for visual clarity.

Raising or lowering the gate of the patio rail kit:

1. Once the side rails (Fig. 1A) are raised and pinned into place, move the gate panels (Fig. 1B) into the closed position.
2. Place the left or right gate's foot (Fig. 2A) into the keeper base. (Fig. 2B)

Fig. 1

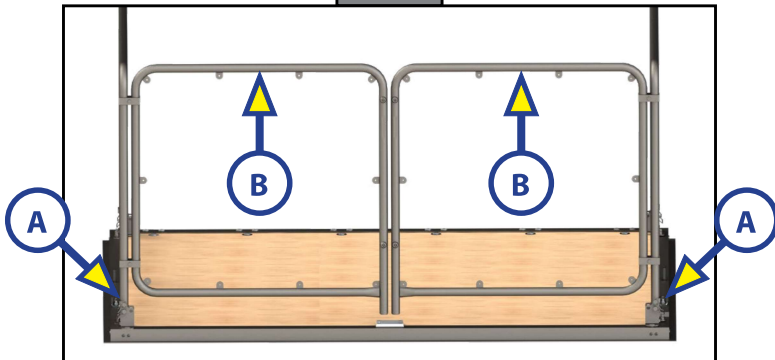
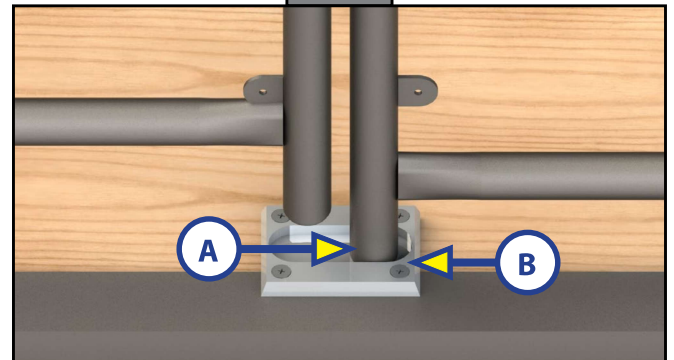


Fig. 2



3. Adjust the panel with the foot in the base, to a lowered or raised position by sliding the panel (Fig. 3A) up or down at the hinge's (Fig. 3B).
4. Place the opposite side of the gate's foot (Fig. 4A) into the keeper base (Fig. 4B).

Fig. 3

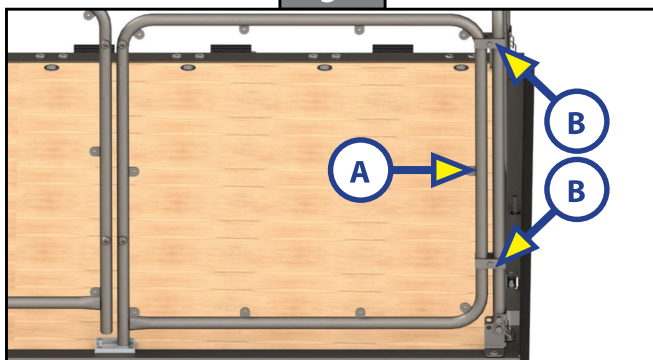
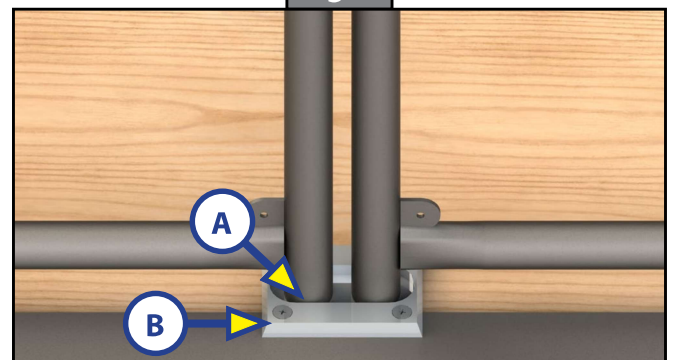


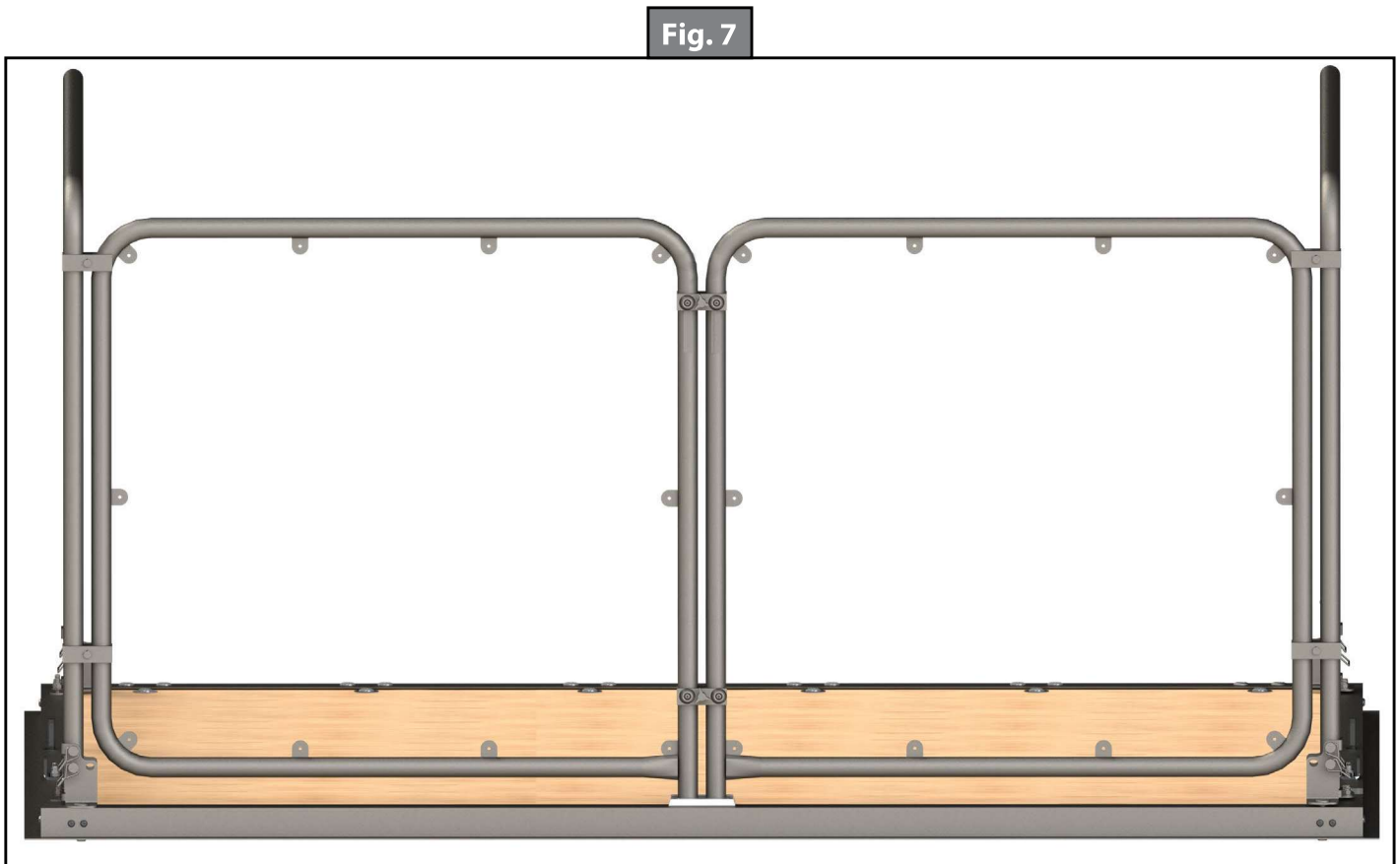
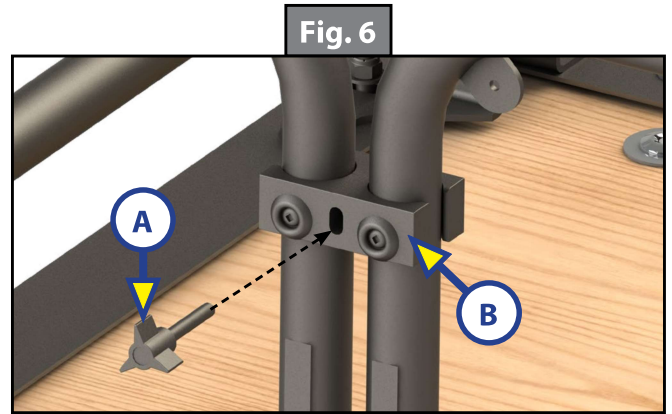
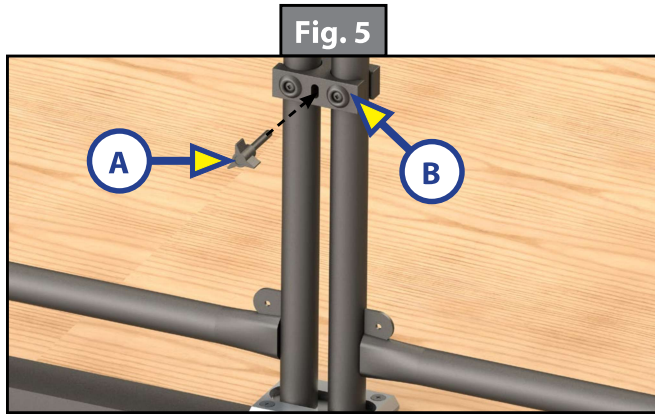
Fig. 4



DOORS

5. Repeat step 3 for the opposite side of the gate.
6. Make sure the left and right sides of the gate are aligned and at the desired position.
7. Insert and tighten the two screw knobs (Figs. 5A and 6A) into the gate couplers (Figs. 5B and 6B) to hold into the gate panels at the desired position.

NOTE: Figure 7 depicts the patio rail kit closed and locked in the desired position.



As a supplier of components to the RV industry, safety, education and customer satisfaction are our primary concerns. Should you have any questions, please do not hesitate to contact us at (574) 537-8900 or by email at customerservice@lci1.com. Self-help tips, technical documents, product videos and a training class schedule are available at lci1.com or by downloading the MyLCI app.