

FRAMES AND CHASSIS

Purpose

This document outlines the Axle Hanger Measurement Procedure for a Single Axle trailer.

Fig. 1

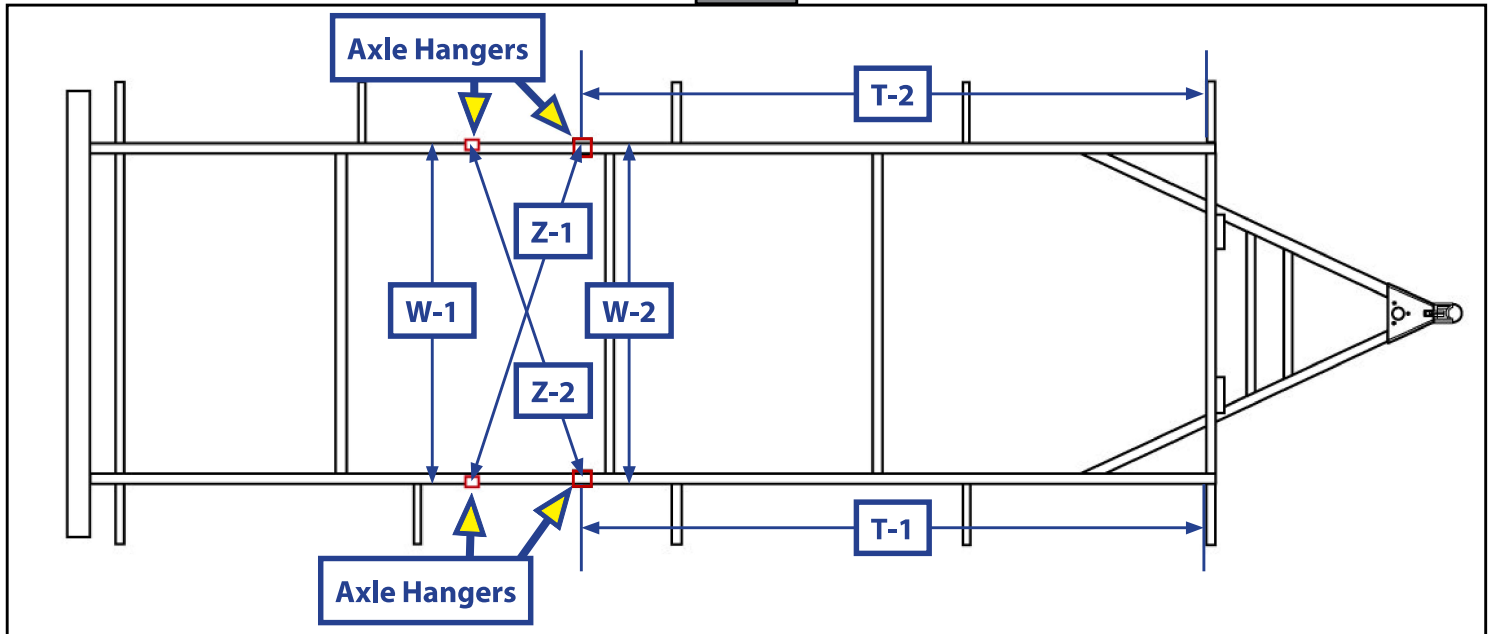
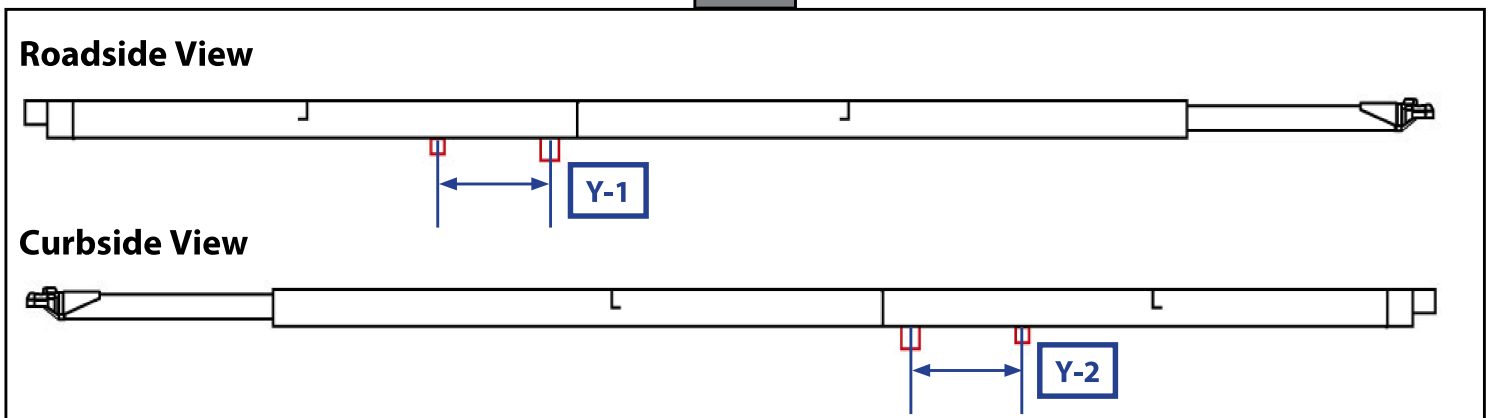


Fig. 2



Measurements

T-1	T-2	W-1	W-2	Z-1	Z-2	Y-1	Y-2

FRAMES AND CHASSIS

Fig. 3

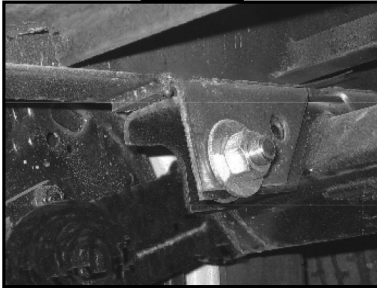
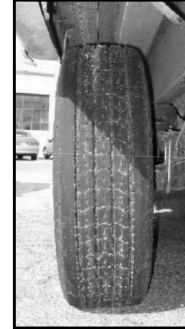


Fig. 4



Fig. 5



Procedure

1. Trailer must be pulled into work space straight and evenly.
2. When measuring axle hanger, measure where hanger meets I-beam (Figs. 3 and 4).
NOTE: Be sure to measure as high on the hanger as possible if other components interfere with a measurement point on the hanger.
3. On measurements W-1 and W-2 (Fig. 1), be sure to measure the top of hanger.
4. Measure T-1 and T-2 (Fig. 1) from center of axle hanger to intersection of main rail and front crossmember.
5. On measurements Z-1 and Z-2 (Fig. 1), measure from the rear hanger on one side to the front hanger on the opposite side.
6. Measure Y-1 and Y-2 (Fig. 2) on center of bolt.

NOTE: Please accompany this document with clear pictures of all points of issue. Be sure tire wear pictures are shot straight on (Fig. 5).

As a supplier of components to the RV industry, safety, education and customer satisfaction are our primary concerns. Should you have any questions, please do not hesitate to contact us at (574) 537-8900 or by email at customerservice@lci1.com. Self-help tips, technical documents, product videos and a training class schedule are available at lci1.com or by downloading the MyLCI app.