

# Floor Mat Installation During PDS

**Service Category** General

**Section** Pre-Delivery Service

**Market** USA

Toyota Supports  
 ASE Certification 

## Applicability

YEAR(S)	MODEL(S)	ADDITIONAL INFORMATION
2020	4Runner, 86, Avalon, Avalon HV, C-HR, Camry, Camry HV, Corolla, Corolla Hatchback, Corolla HV, Highlander, Highlander HV, Land Cruiser, Mirai, Prius, Prius C, Prius Prime, RAV4, RAV4 HV, Sequoia, Sienna, Supra, Tacoma, Tundra, Yaris SD MEX-Prod	

### REVISION NOTICE

**October 09, 2020 Rev2:**

- **Installation Procedure: Pre-Installed Knob Style section has been updated.**

**July 03, 2019 Rev1:**

- **Applicability has been updated to include 2020 model year Supra vehicles.**
- **The Hook and Loop Style section has been added.**

**Any previous printed versions of this bulletin should be discarded.**

## Introduction

2020 model year Toyota vehicles are equipped with driver side floor mat retainers to secure the floor mat in the correct position. In addition, some models may also utilize retainers for passenger side and rear seat floor mats. During Pre-Delivery Service (PDS), follow the appropriate Installation Procedure to attach the driver side, and if applicable, the passenger side and rear seat floor mats to the vehicle carpet using the floor mat retainers. If installation instructions are included in the floor mat kit, place the instructions in the vehicle's glove box for customer reference.

## Floor Mat Installation During PDS

### Introduction (continued)

**CAUTION**

- ALWAYS verify the floor mat is designed specifically for the model and model year it is being installed in.
- ONLY use floor mats that can be secured using the retainers. ALL OEM Toyota floor mats are specifically designed to fit correctly and be secured using the retainers.
- Make sure the floor mat is properly placed on the vehicle carpet and secured with the retainers. If the driver side floor mat is NOT properly placed and secured, it could slip and interfere with the movement of the pedals during driving and may cause an accident.
- Verify the operation of the accelerator, brake, and clutch (if equipped) pedals and clearance to the mat.
- NEVER install more than one floor mat at a time in the driver’s seating position.
- If applicable, ANY secondary set of floor mats (based upon customer preference, such as the all-weather floor mats or other floor mats) MUST be placed in the trunk with ALL the packaging material intact. Do NOT install the secondary mat on top of the primary floor mat already installed in the driver’s seating position.

### Warranty Information

OP CODE	DESCRIPTION	TIME	OFF	T1	T2
N/A	Not Applicable to Warranty	–	–	–	–

### Installation Procedures

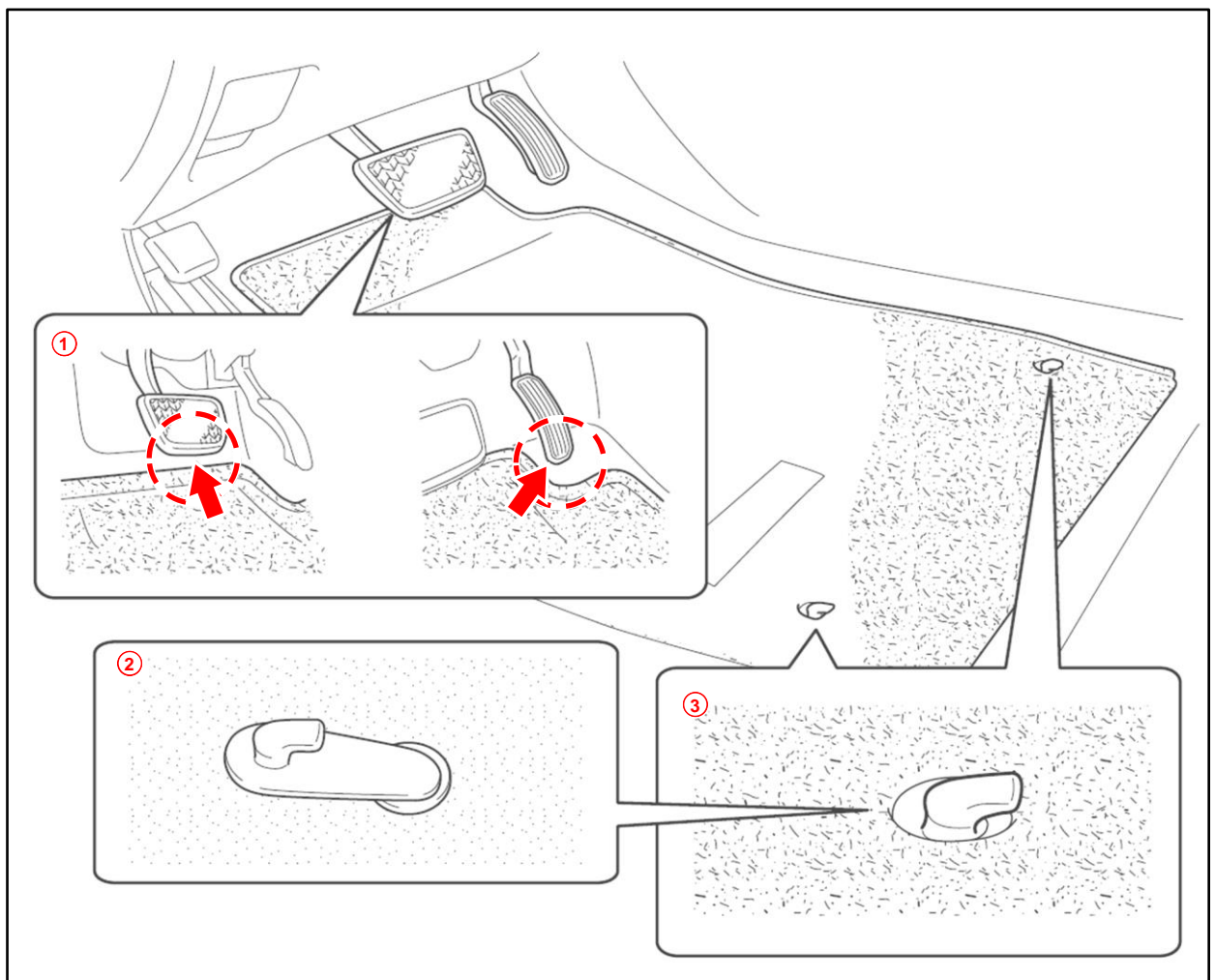
- [Hook Style](#) ..... 3
- [Hook Style With Locking Clip](#) ..... 5
- [Knob Style With Locking Clip](#) ..... 8
- [Pre-Installed Knob Style](#) ..... 12
- [Pre-Installed Post Style](#) ..... 15
- [Hook and Loop Style](#) ..... 16

## Floor Mat Installation During PDS

### Installation Procedure: Hook Style

1. Verify that the driver side, and if applicable, passenger side, and rear seat floor mats are for the correct model and model year they are being installed in.
2. Attach the driver side, and if applicable, passenger side, and rear seat floor mats to the vehicle carpet using the retention clips.
3. Secure the mat by inserting the retention clip hooks through the grommet holes.

**Figure 1.**



<b>1</b>	<b>Correct Installation</b>
<b>2</b>	<b>Retention Clip</b>

<b>3</b>	<b>Grommet</b>
----------	----------------

## Floor Mat Installation During PDS

### Installation Procedure: Hook Style (continued)

4. Verify proper installation.

#### NOTE

If applicable, do NOT remove the beige caution tag from the floor mat. ONLY the customer should remove the caution tag.

Figure 2.

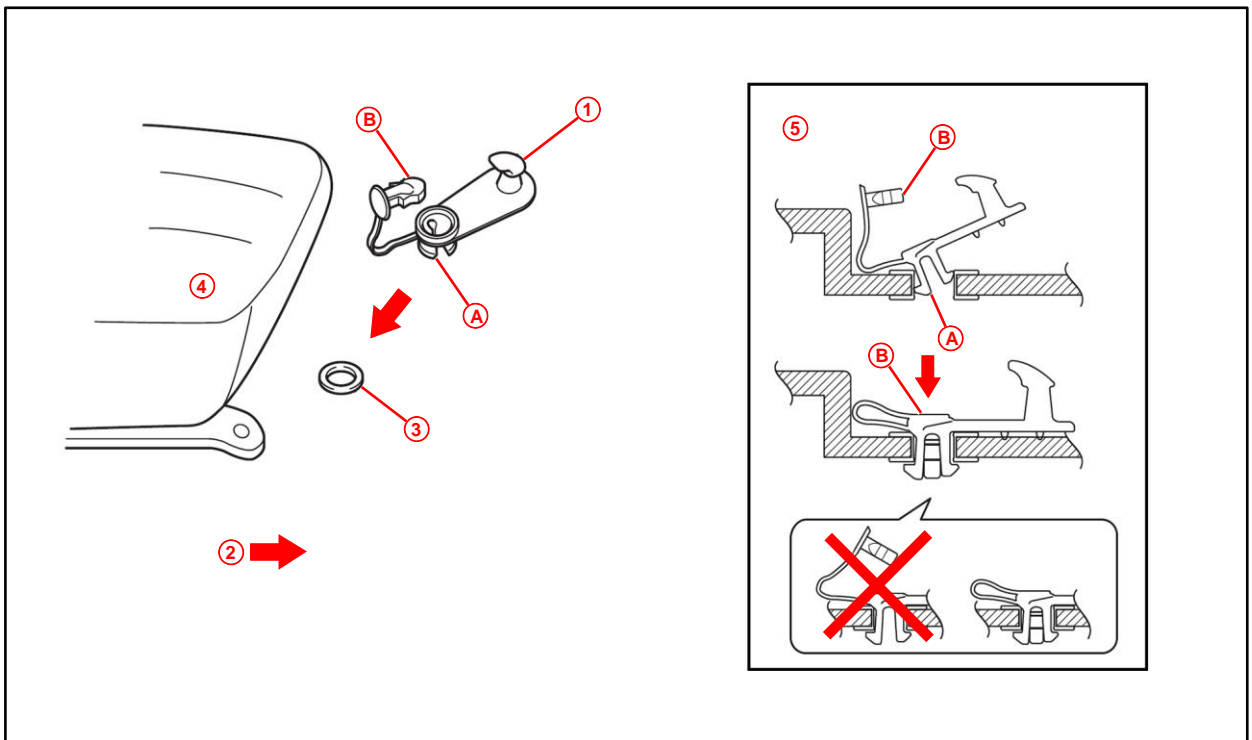


## Floor Mat Installation During PDS

### Installation Procedure: Hook Style With Locking Clip

1. Verify that the driver side, and if applicable, passenger side, and rear seat floor mats are for the correct model and model year they are being installed in.
2. Attach the retention clip to the floor by inserting the retention clip claws into the floor eyelet.

**Figure 3.**



<b>1</b>	Retention Clip
<b>2</b>	Front of Vehicle
<b>3</b>	Retention Clip Eyelet on Vehicle Floor
<b>4</b>	Seat

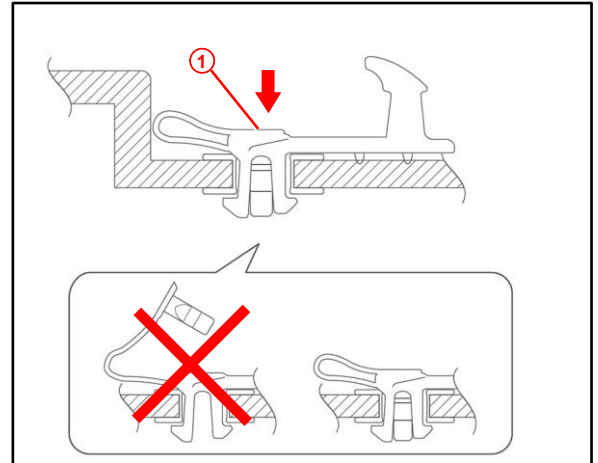
<b>5</b>	Cross-sectional Diagram
<b>A</b>	Retention Clip Claw
<b>B</b>	Locking Clip

## Floor Mat Installation During PDS

### Installation Procedure: Hook Style With Locking Clip (continued)

- To lock the retention clip in place, insert the locking clip of the retention clip into the designated hole.

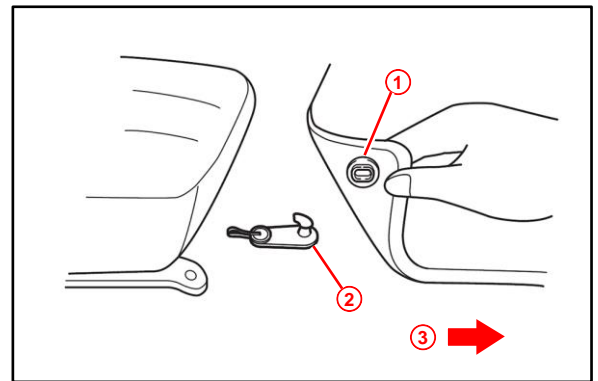
**Figure 4.**



<b>1</b>	<b>Locking Clip</b>
----------	---------------------

- Align the floor mat grommets with the retention clip hooks and attach the floor mat grommets to the retention clip hooks.

**Figure 5.**



<b>1</b>	<b>Floor Mat Grommet</b>
<b>2</b>	<b>Retention Clip</b>
<b>3</b>	<b>Front</b>

## Floor Mat Installation During PDS

### Installation Procedure: Hook Style With Locking Clip (continued)

5. Verify proper installation.

#### NOTE

If applicable, do NOT remove the beige caution tag from the floor mat. ONLY the customer should remove the caution tag.

Figure 6.

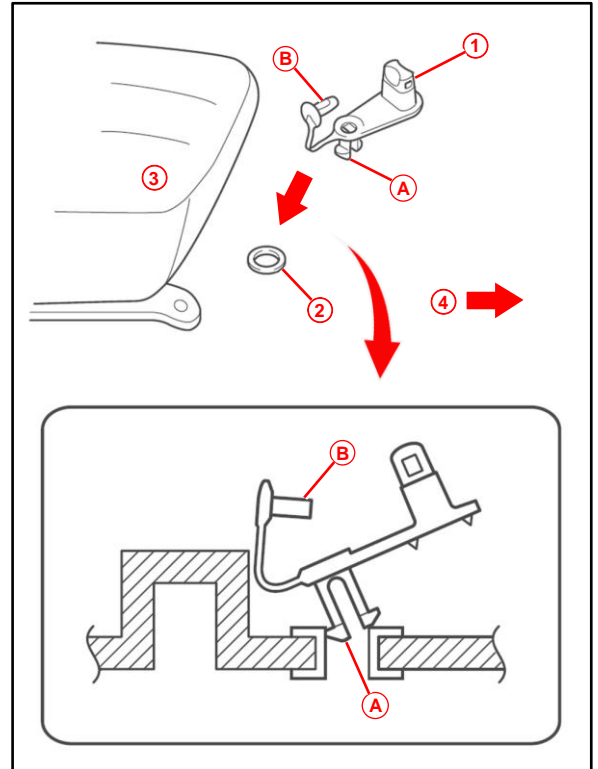


## Floor Mat Installation During PDS

### Installation Procedure: Knob Style With Locking Clip

1. Verify that the driver side, and if applicable, passenger side, and rear seat floor mats are for the correct model and model year they are being installed in.
  
2. Attach the retention clip to the floor by inserting the retention clip claw into the floor eyelet.

**Figure 7.**



<b>1</b>	<b>Retention Clip</b>
<b>2</b>	<b>Retention Clip Eyelet on Vehicle Floor</b>
<b>3</b>	<b>Seat</b>
<b>4</b>	<b>Front of Vehicle</b>
<b>A</b>	<b>Retention Clip Claw</b>
<b>B</b>	<b>Locking Clip</b>

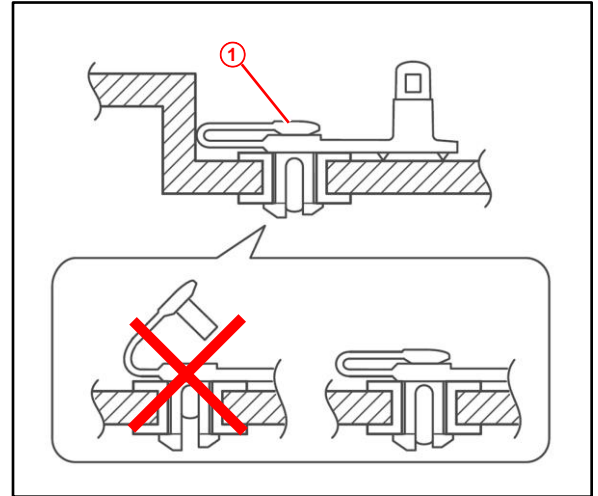


## Floor Mat Installation During PDS

### Installation Procedure: Knob Style With Locking Clip (continued)

- To lock the clip in place, insert the locking clip of the retention clip into the designated hole.

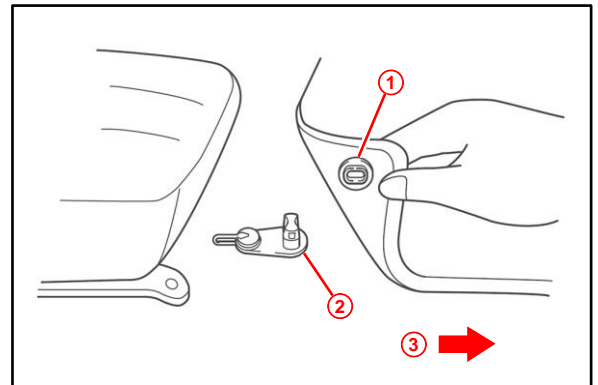
**Figure 8.**



<b>1</b>	<b>Locking Clip</b>
----------	---------------------

- Align the floor mat grommets with the retention clip knobs and place the floor mat grommets onto the retention clip knobs.

**Figure 9.**



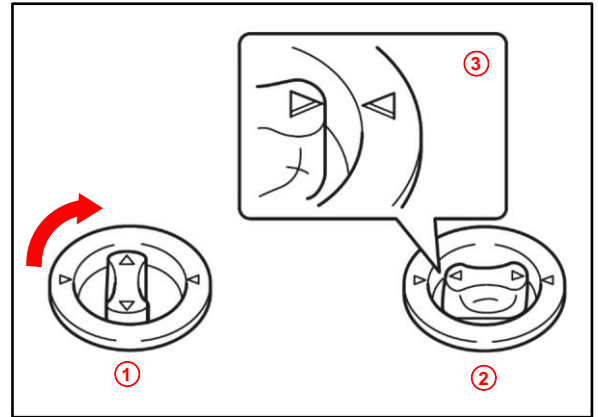
<b>1</b>	<b>Retention Clip Eyelet on Floor Mat</b>
<b>2</b>	<b>Retention Clip</b>
<b>3</b>	<b>Front of Vehicle</b>

## Floor Mat Installation During PDS

### Installation Procedure: Knob Style With Locking Clip (continued)

5. Twist the retention clip knobs a quarter of a turn to lock in place.
6. Verify the triangle marks on the retention clip knob and floor mat are aligned.

**Figure 10.**



<b>1</b>	<b>Twist Knob</b>
<b>2</b>	<b>Knob in Locked Position</b>
<b>3</b>	<b>Align Triangle Marks</b>

# Floor Mat Installation During PDS

## Installation Procedure: Knob Style With Locking Clip (continued)

7. Verify proper installation.

**NOTE**  
 If applicable, do NOT remove the yellow caution tag from the floor mat. ONLY the customer should remove the caution tag.

Figure 11.

⚠ CAUTION ⚠	⚠ PRECAUCIÓN ⚠
<ul style="list-style-type: none"> <li>Use this floor mat for driver's side only.</li> <li>This floor mat was designed specifically for use in this model and model year vehicle and <b>SHOULD NOT</b> be used in any other vehicle.</li> <li>To prevent the floor mat from shifting, the floor mat should be attached securely to the floor with the retention clips.</li> <li>To properly use the retention clips, turn the knobs on the clips to the lock position as shown in the following illustration.</li> <li>The floor mat <b>MUST BE</b> installed directly on the carpeted floor of the vehicle and properly secured with the retention clips. The floor mat should <b>NEVER</b> be installed on top of another floor mat.</li> <li><b>NEVER</b> place the floor mat in the vehicle upside-down or backwards.</li> </ul>	<ul style="list-style-type: none"> <li>Use este tapete únicamente para el lado del conductor.</li> <li>Este tapete fue diseñado específicamente para usarse en este modelo y año de vehículo, y <b>NO DEBE</b> usarse en ningún otro vehículo.</li> <li>Para evitar que el tapete se mueva, el tapete debe ceñirse al piso de manera segura con los sujetadores de retención.</li> <li>Para usar correctamente los sujetadores de retención, gire las perillas en los sujetadores a la posición de bloqueo como se muestra en la siguiente ilustración.</li> <li>El tapete <b>DEBE</b> instalarse directamente al piso alfombrado del vehículo y ceñirse correctamente con los sujetadores de retención. El tapete <b>NUNCA</b> debe instalarse encima de otro tapete.</li> <li><b>NUNCA</b> coloque el tapete en el vehículo boca abajo o al revés.</li> </ul>
	
<p>ALWAYS ALIGN MARK                  SIEMPRE ALINEE LAS MARCAS                  TOUJOURS ALIGNER LES MARQUES                  قم دائماً بترصف العلامة</p> <div style="display: flex; justify-content: space-around;"> <div style="text-align: center;"> <p>FRONT FRENTE AVANT أمام</p>  <p>UNLOCK DESBLOQUEAR DÉVERROUILLER افتح</p> </div> <div style="text-align: center;">  <p>LOCK BLOQUEAR VERROUILLER أغلق</p> </div> </div> <p style="text-align: right; font-size: small;">TFMT - IC0001</p>	

## Floor Mat Installation During PDS

### Installation Procedure: Pre-Installed Knob Style

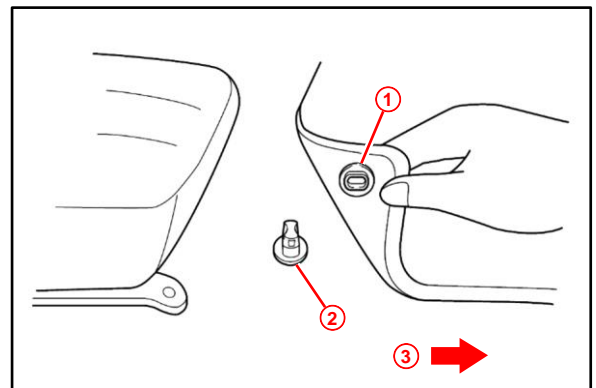
**NOTICE**

If the vehicle is equipped with two sets of floor mats (carpet and all weather):

- Do NOT install both sets of floor mats at the same time.
- Install one set according to the current season and store the other set in the luggage compartment.
- Discard the Floor Mat Safety Check insert for the installed set and keep the other with the spare floor mat set for the customer's reference.

1. Verify that the driver side, and if applicable, passenger side, and rear seat floor mats are for the correct model and model year vehicle they are being installed in.
  
2. Align the floor mat grommets with the retention knobs and place the floor mat grommets onto the retention knobs.

**Figure 12.**



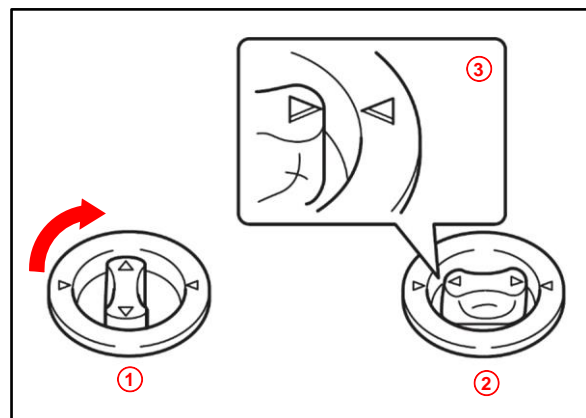
<b>1</b>	<b>Floor Mat Grommet</b>
<b>2</b>	<b>Retention Knob</b>
<b>3</b>	<b>Front of Vehicle</b>

## Floor Mat Installation During PDS

### Installation Procedure: Pre-Installed Knob Style (continued)

3. Twist the retention knobs a quarter of a turn to lock in place.
  
4. Verify the triangle marks on the retention knobs and floor mat are aligned.

**Figure 13.**



<b>1</b>	<b>Twist Knob</b>
<b>2</b>	<b>Knob in Locked Position</b>
<b>3</b>	<b>Align Triangle Marks</b>




# Floor Mat Installation During PDS

## Installation Procedure: Pre-Installed Knob Style (continued)

- Verify proper installation.

**NOTE**  
 If applicable, do NOT remove the yellow caution tag from the floor mat.  
 ONLY the customer should remove the caution tag.

Figure 14.

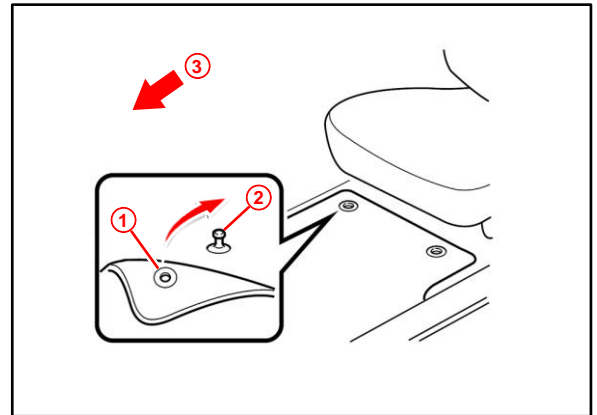
⚠ CAUTION ⚠	⚠ PRECAUCIÓN ⚠
<ul style="list-style-type: none"> <li>Use this floor mat for driver's side only.</li> <li>This floor mat was designed specifically for use in this model and model year vehicle and <b>SHOULD NOT</b> be used in any other vehicle.</li> <li>To prevent the floor mat from shifting, the floor mat should be attached securely to the floor with the retention clips.</li> <li>To properly use the retention clips, turn the knobs on the clips to the lock position as shown in the following illustration.</li> <li>The floor mat <b>MUST BE</b> installed directly on the carpeted floor of the vehicle and properly secured with the retention clips. The floor mat should <b>NEVER</b> be installed on top of another floor mat.</li> <li><b>NEVER</b> place the floor mat in the vehicle upside-down or backwards.</li> </ul>	<ul style="list-style-type: none"> <li>Use este tapete únicamente para el lado del conductor.</li> <li>Este tapete fue diseñado específicamente para usarse en este modelo y año de vehículo, y <b>NO DEBE</b> usarse en ningún otro vehículo.</li> <li>Para evitar que el tapete se mueva, el tapete debe ceñirse al piso de manera segura con los sujetadores de retención.</li> <li>Para usar correctamente los sujetadores de retención, gire las perillas en los sujetadores a la posición de bloqueo como se muestra en la siguiente ilustración.</li> <li>El tapete <b>DEBE</b> instalarse directamente al piso alfombrado del vehículo y ceñirse correctamente con los sujetadores de retención. El tapete <b>NUNCA</b> debe instalarse encima de otro tapete.</li> <li><b>NUNCA</b> coloque el tapete en el vehículo boca abajo o al revés.</li> </ul>
	
<div style="display: flex; justify-content: space-around;"> <div style="text-align: center;"> <p>FRONT FRENTE AVANT أمام</p>  <p>UNLOCK DESBLOQUEAR DÉVERROUILLER افتح</p> </div> <div style="text-align: center;"> <p>ALWAYS ALIGN MARK SIEMPRE ALINEE LAS MARCAS TOUJOURS ALIGNER LES MARQUES قم دائماً بترصف العلامة</p>  <p>LOCK BLOQUEAR VERROUILLER أغلق</p> </div> </div>	
TFMT - IC0001	

## Floor Mat Installation During PDS

### Installation Procedure: Pre-Installed Post Style

1. Verify that the driver side, and if applicable, passenger side, and rear seat floor mats are for the correct model and model year vehicle they are being installed in.
  
2. Align the floor mat grommets with the retention posts and press the floor grommets onto the retention posts until you hear and feel a click.

**Figure 15.**



<b>1</b>	<b>Floor Mat Grommet</b>
<b>2</b>	<b>Retention Post</b>
<b>3</b>	<b>Front of Vehicle</b>

3. Verify proper installation.

**NOTE**

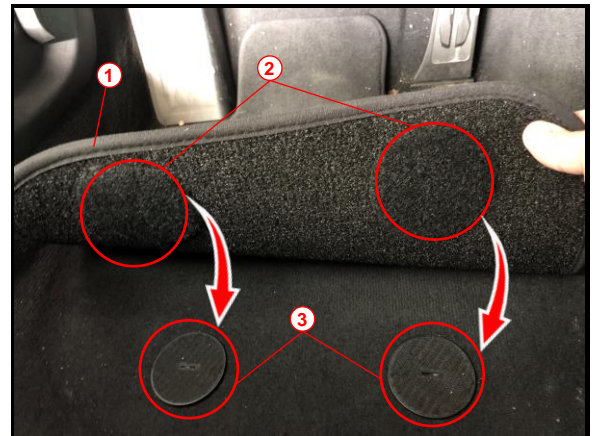
Following installation, the floor mat grommets should be flush with the retention posts.

## Floor Mat Installation During PDS

### Installation Procedure: Hook and Loop Style

1. Verify that the driver side, and, if applicable, passenger side floor mats are for the correct model and model year vehicle they are being installed in.
  
2. Attach the driver, and if applicable, passenger side floor mats to the vehicle carpet using the hook and loop fasteners.

**Figure 16.**



<b>1</b>	<b>Underside of Driver Floor Mat</b>
<b>2</b>	<b>Loop</b>
<b>3</b>	<b>Hook</b>

3. Verify proper installation.