

## 87612-2 Heater Core, Cab, Replacement

---

You must read and understand the precautions and guidelines in Service Information, group 80, General Safety Practices before performing this procedure. If you are not properly trained and certified in this procedure, ask your supervisor for training before you perform it.

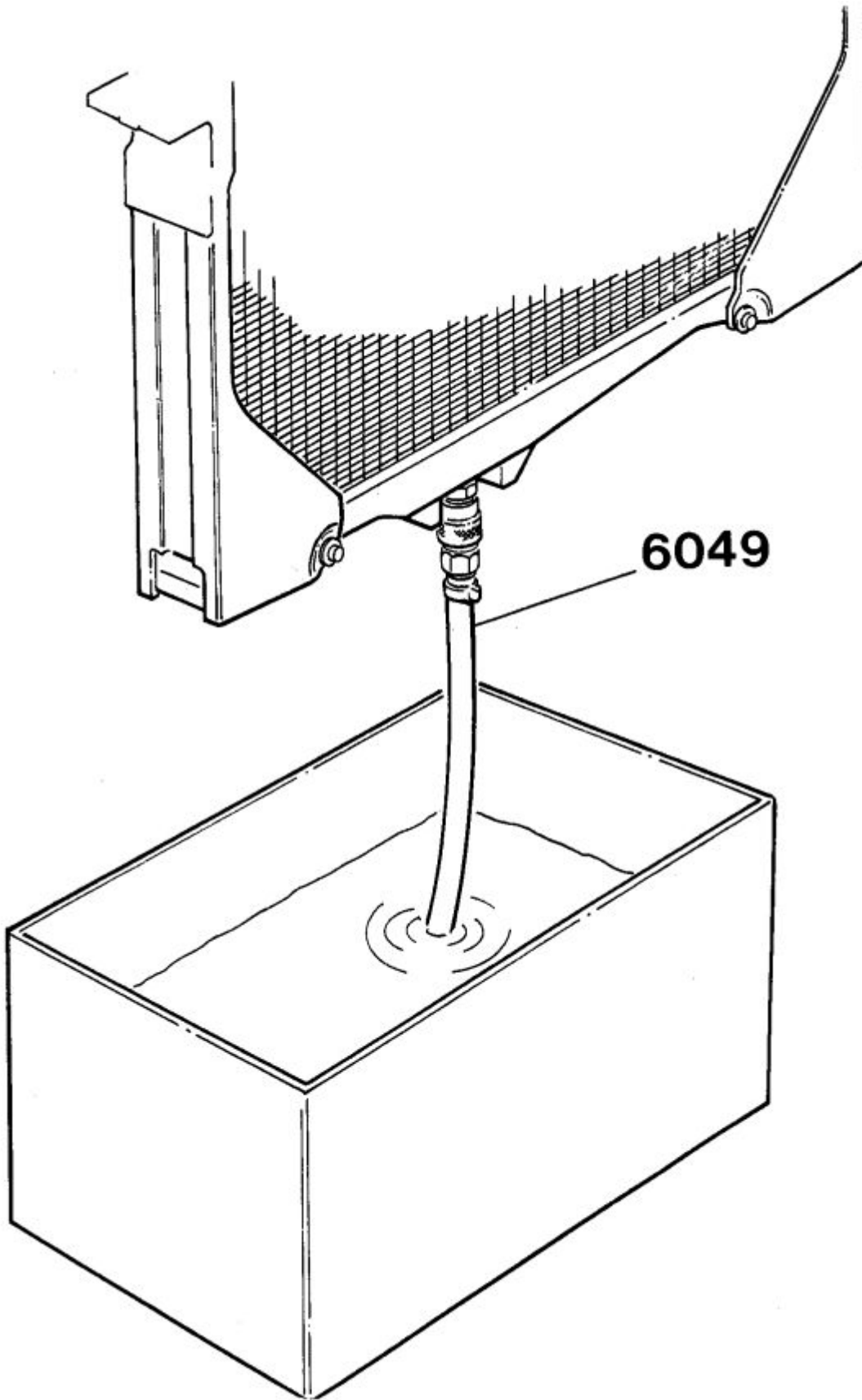
---

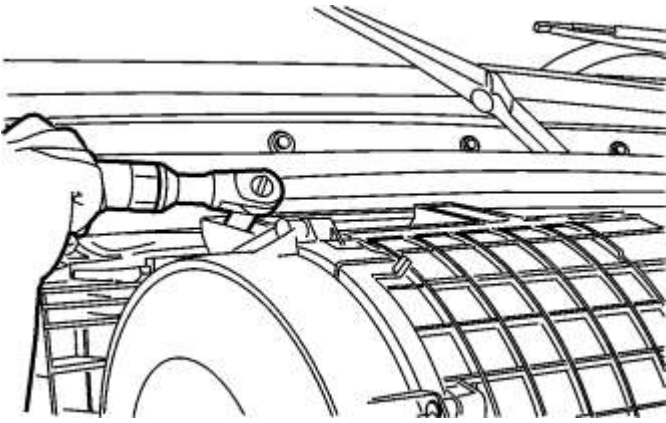
Special tools: 9996049

Other special equipment: 3092726

### Removing

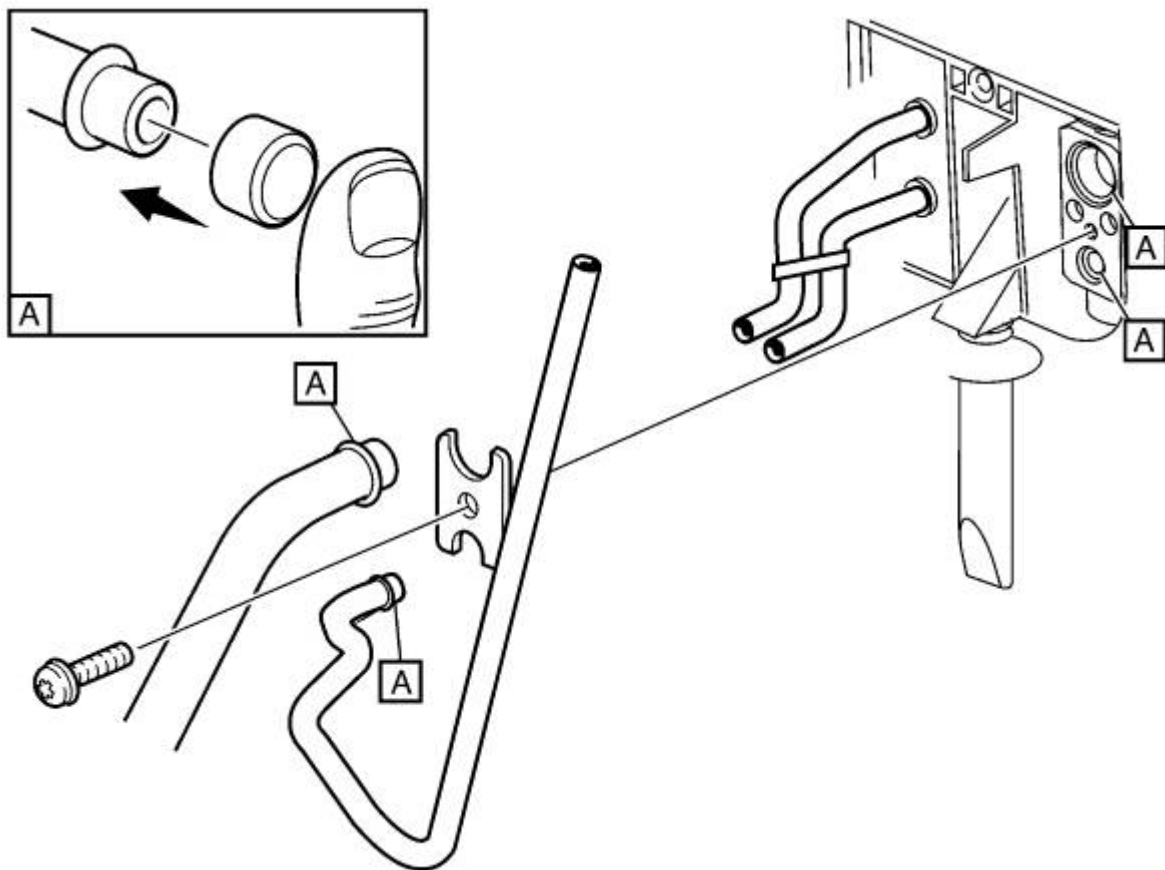
1





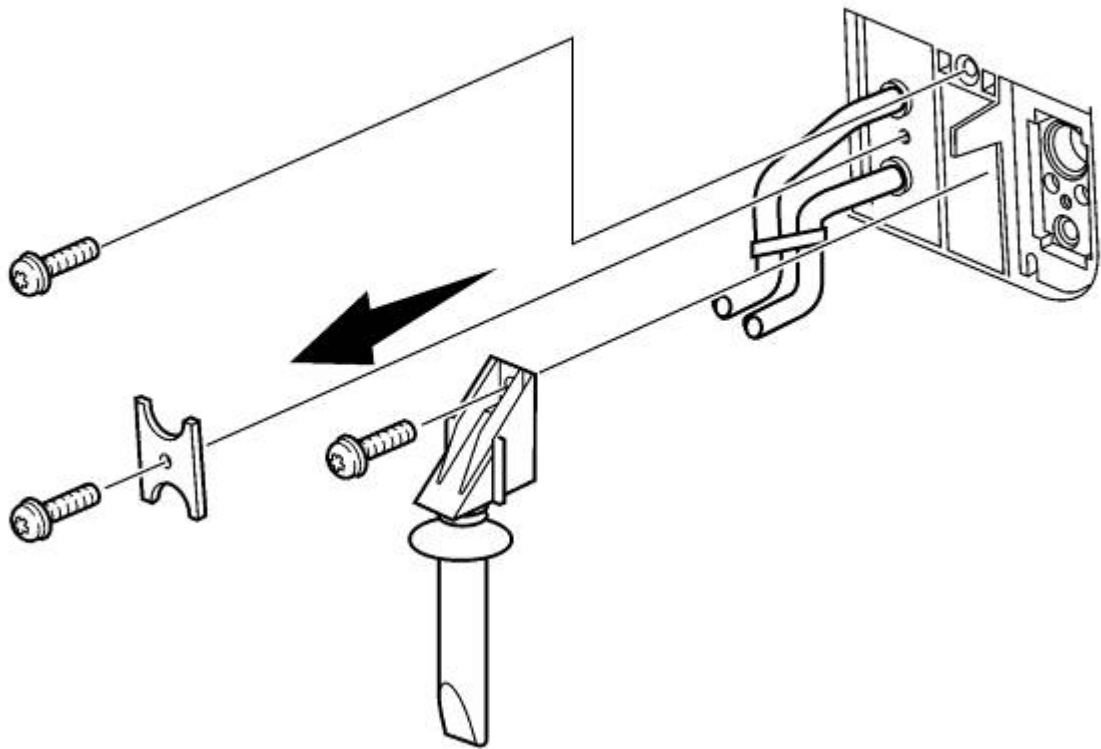
Remove air filter.

3

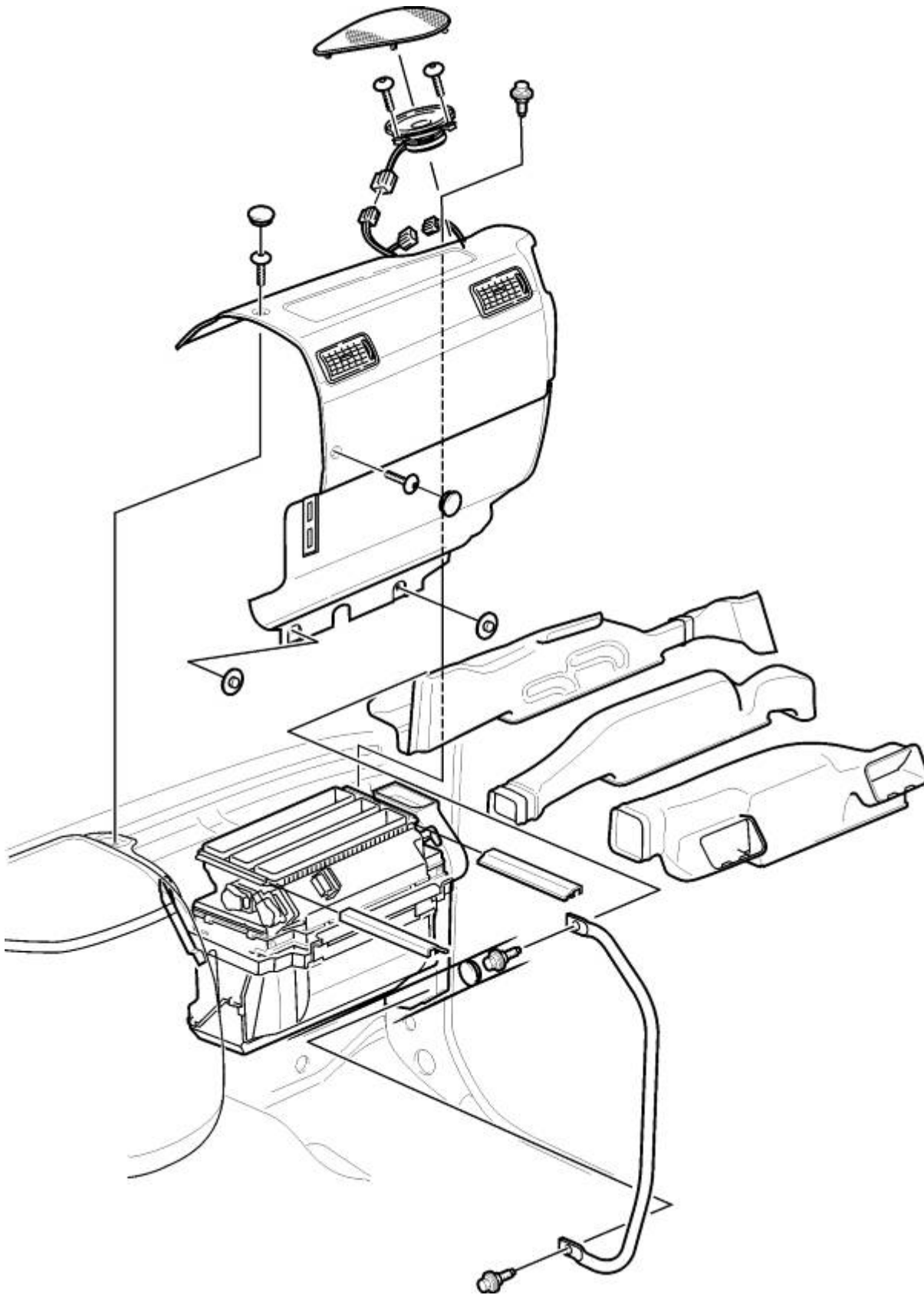


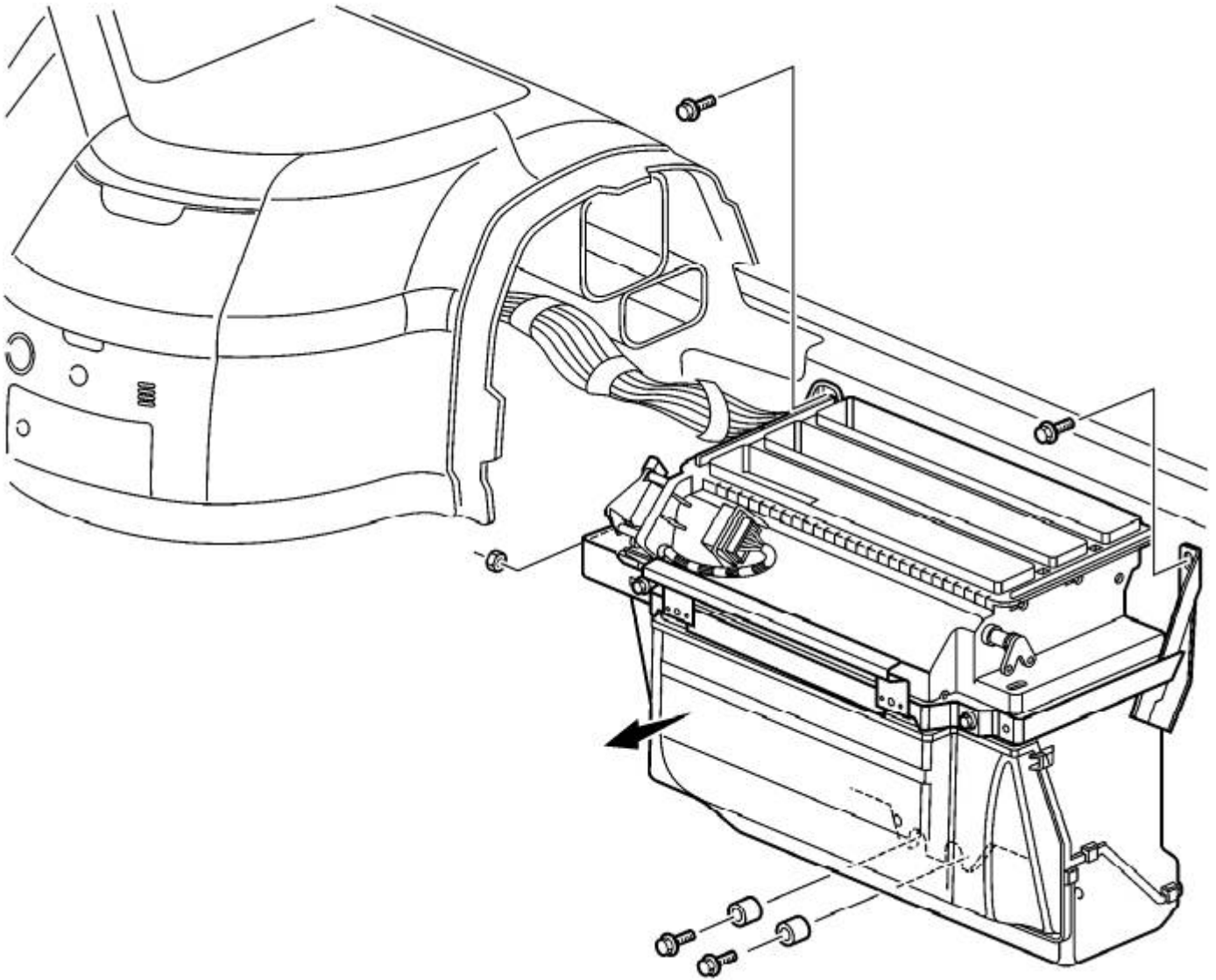
A: Plug the connections.

4



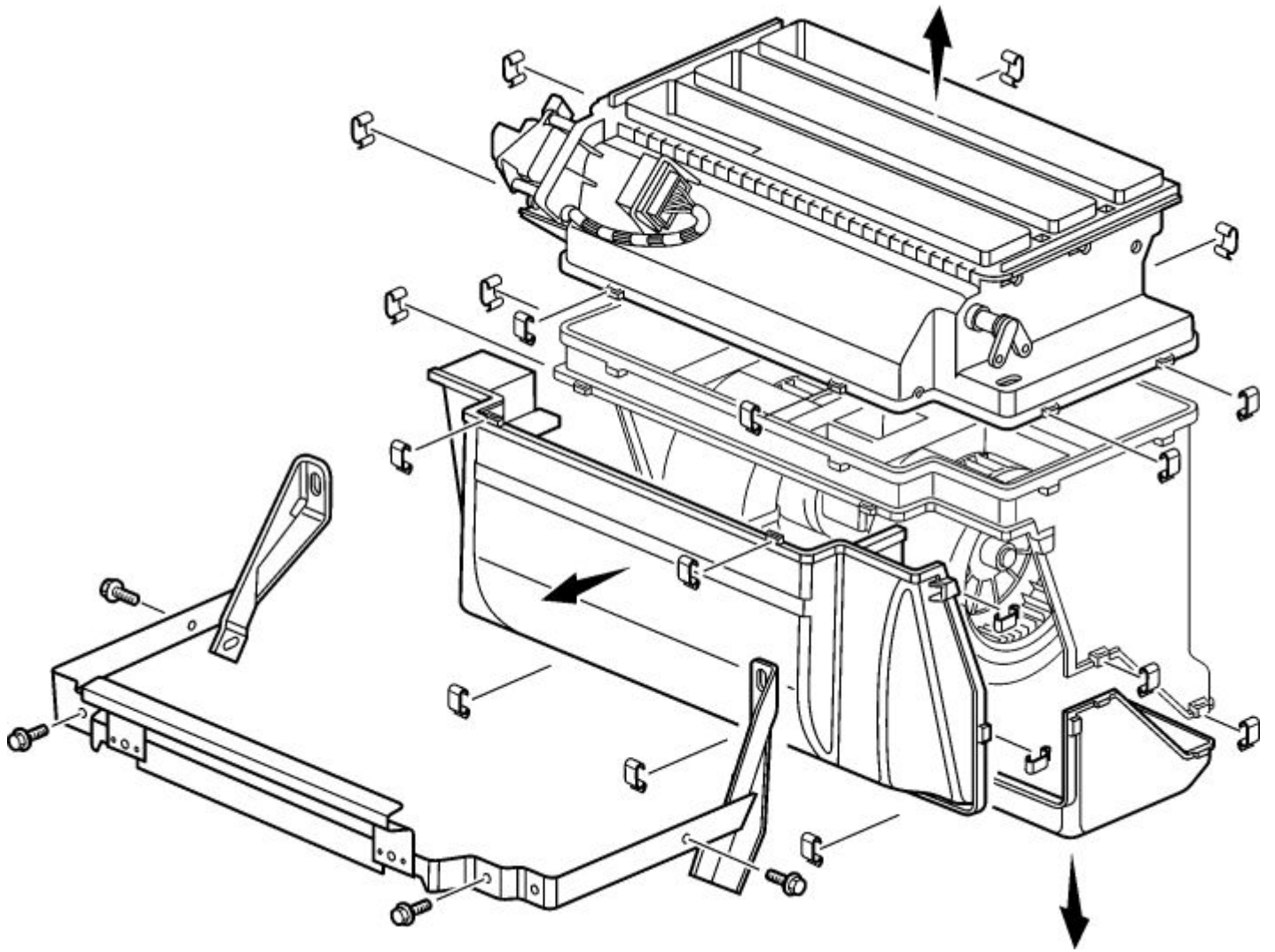
5

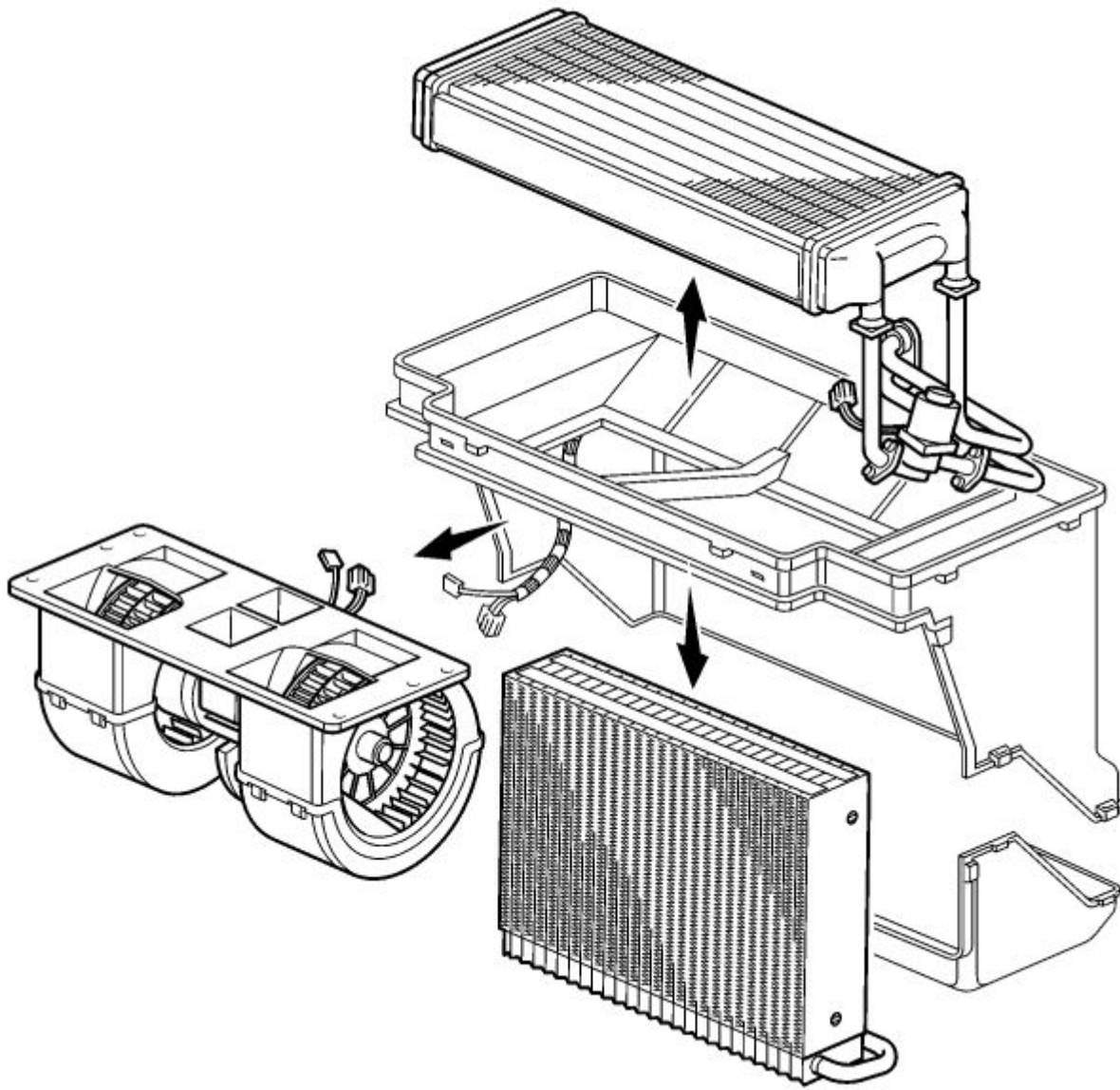




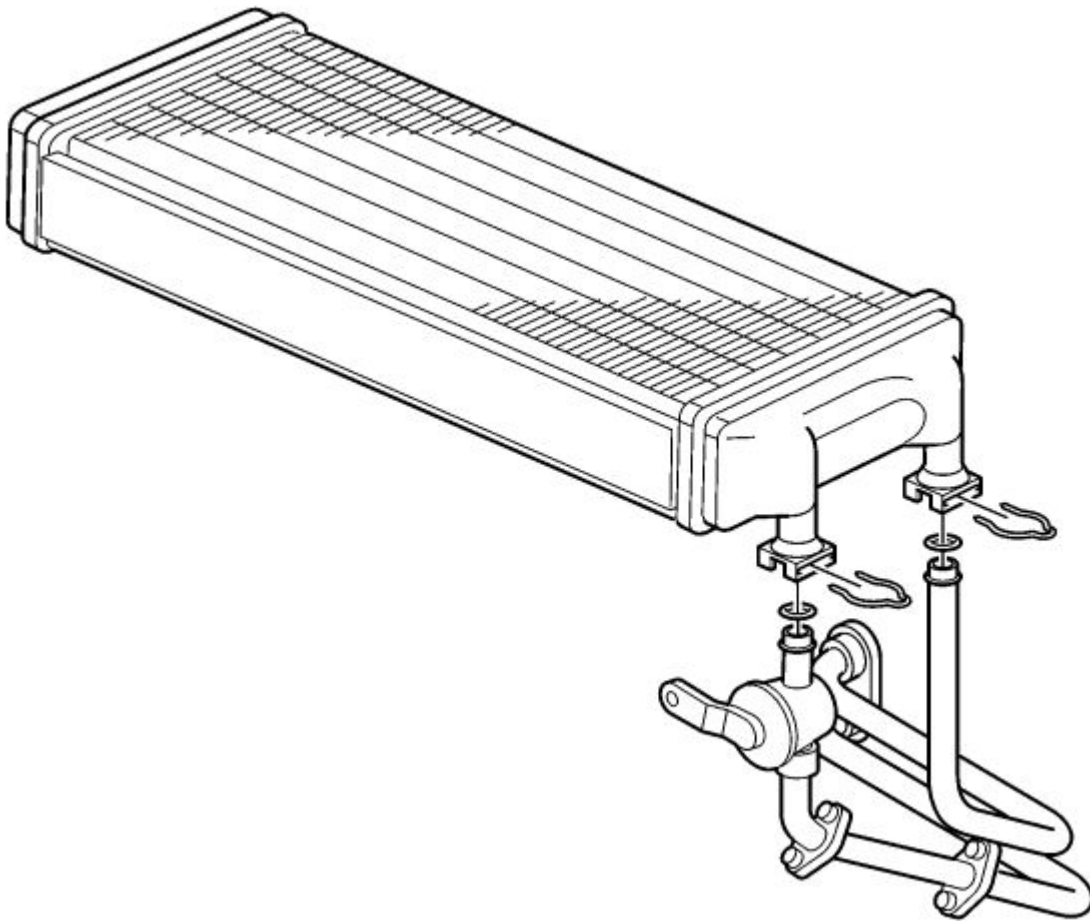
Pull the climate unit backwards and carefully cut off the butyl tape holding the unit in the casing wall.

7



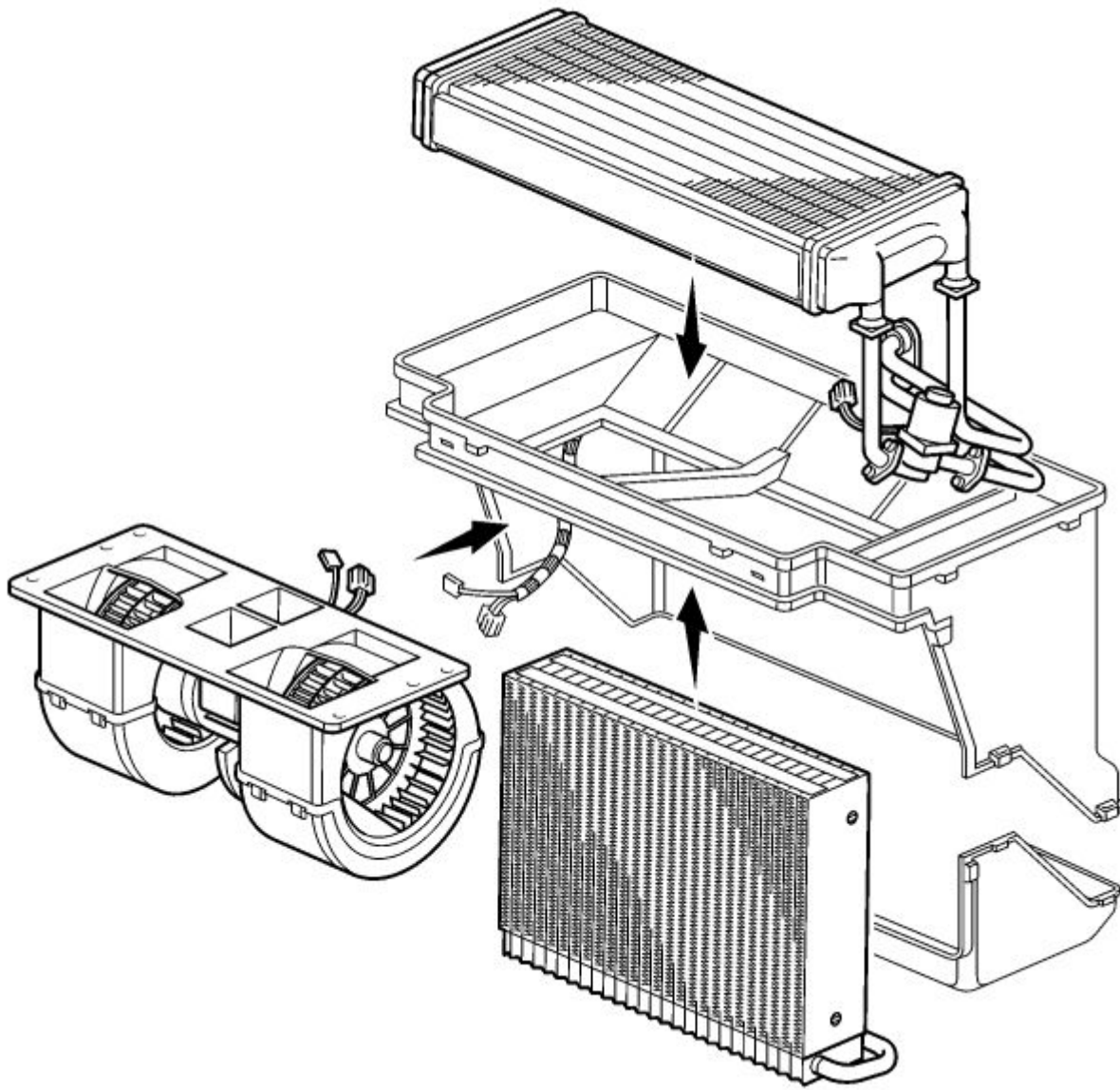


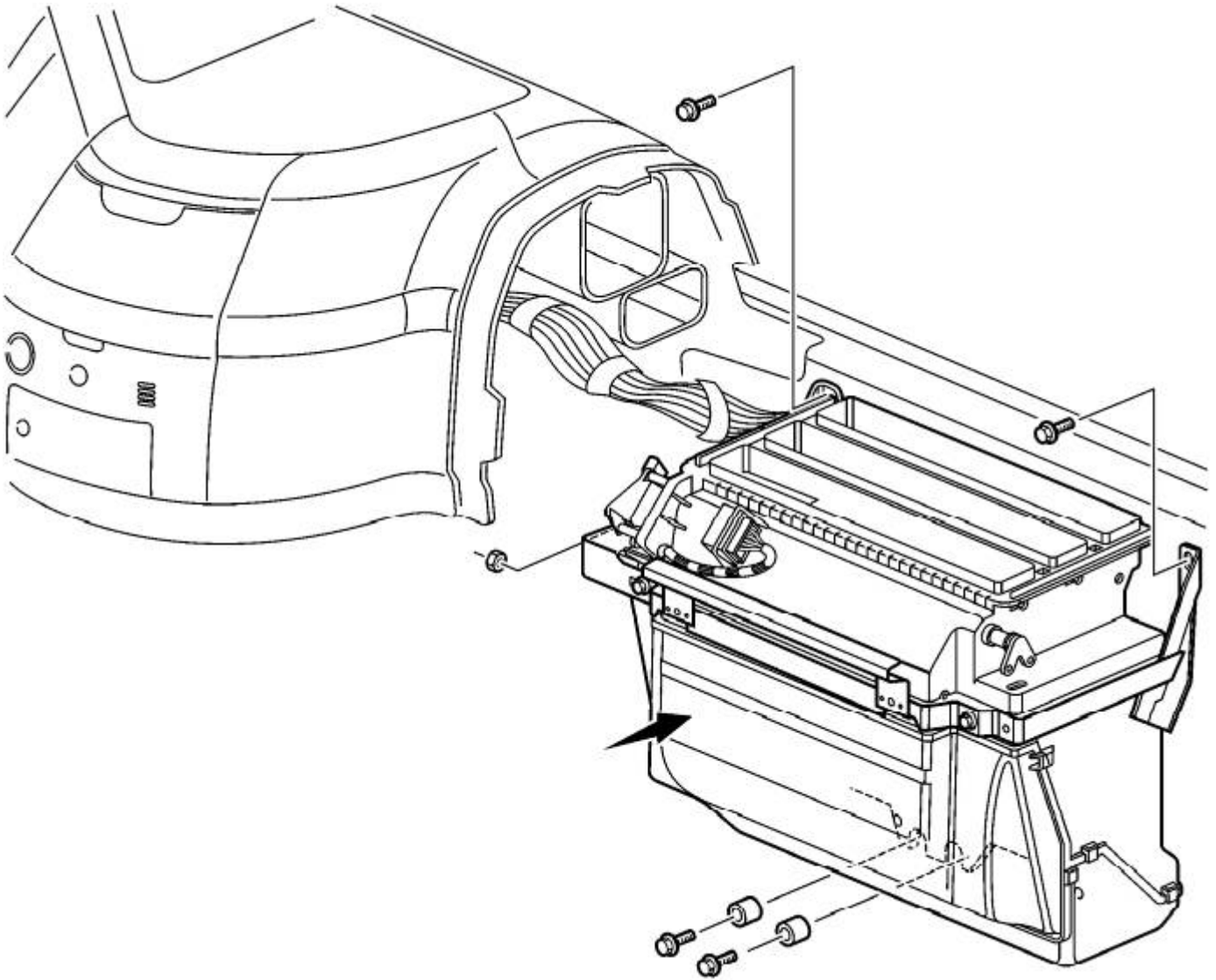




## Installation

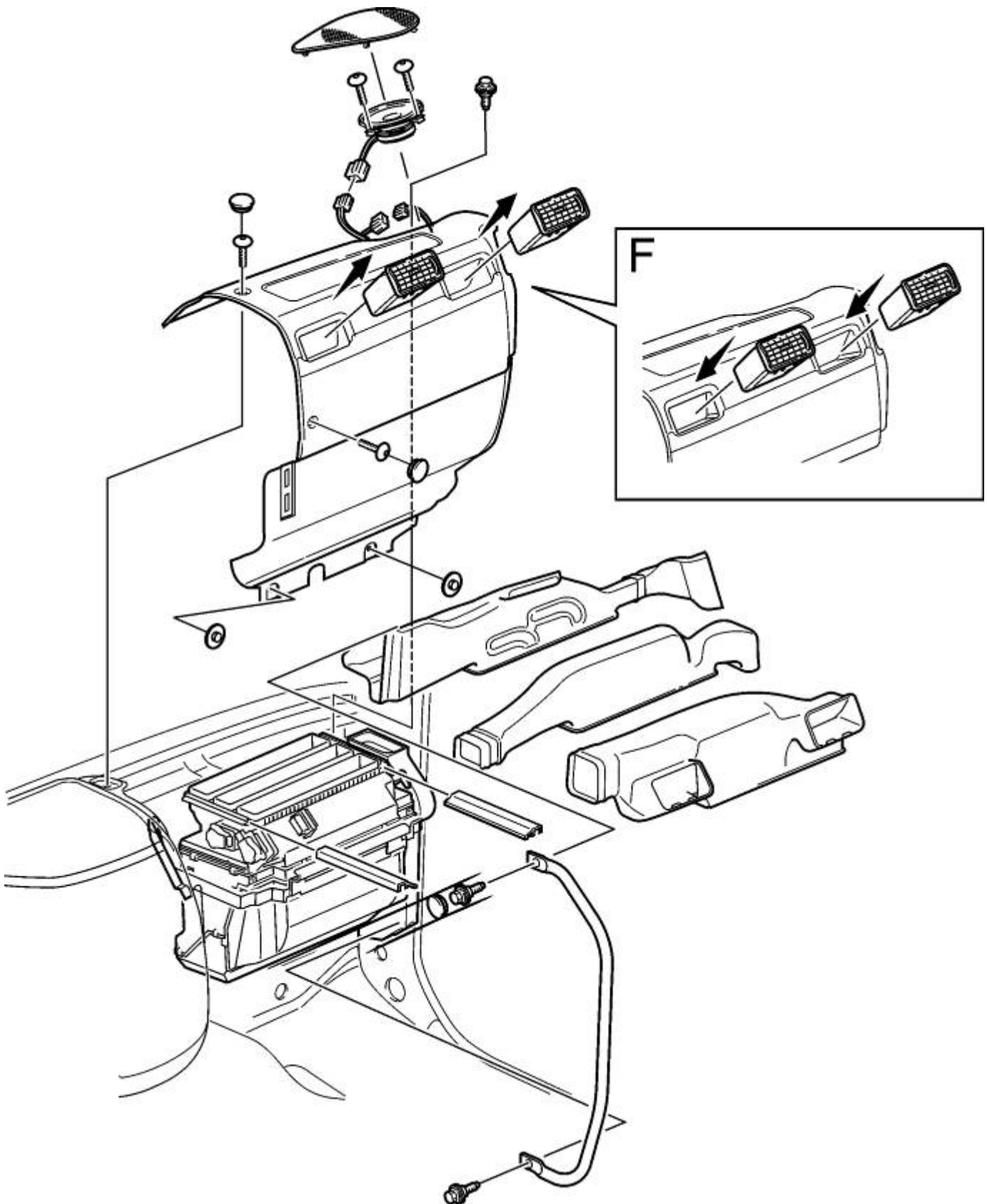
10



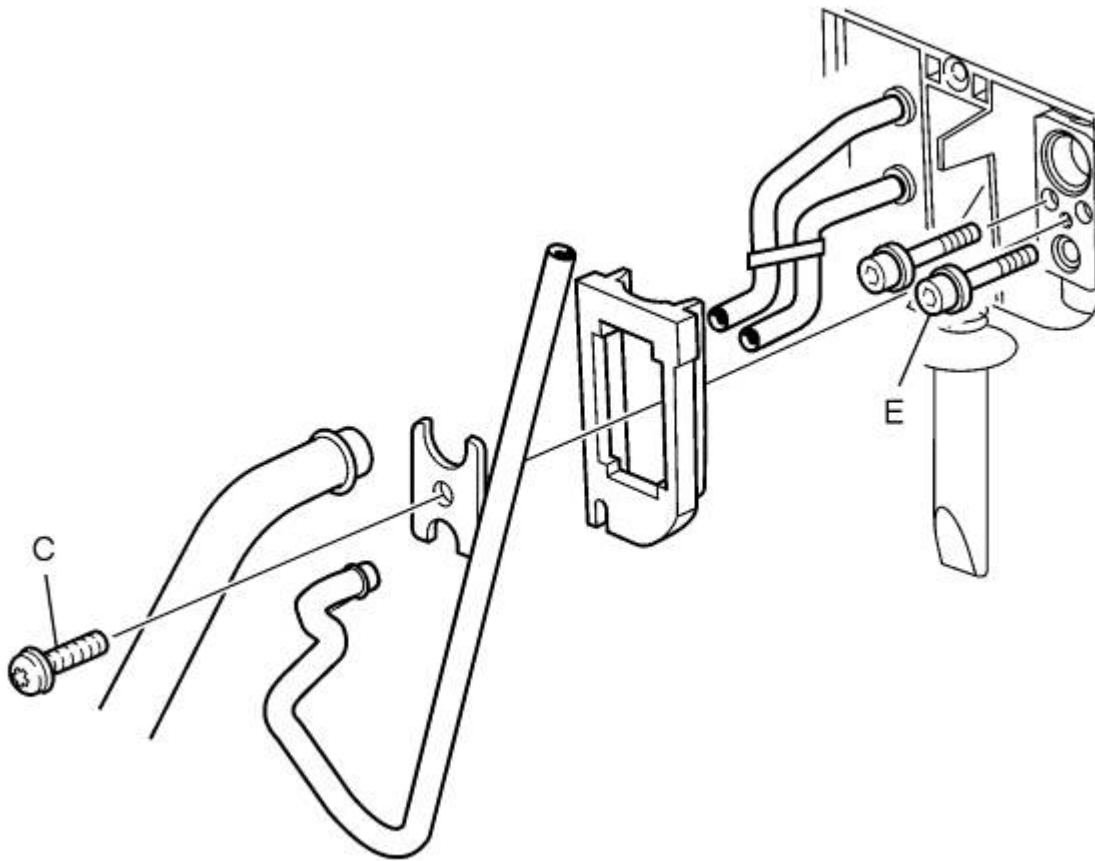


*Note: Scrape off and replace the old butyl tape to ensure a good seal.*

The two lower bolts with spacer sleeves should be tightened a few turns before positioning the climate control system.



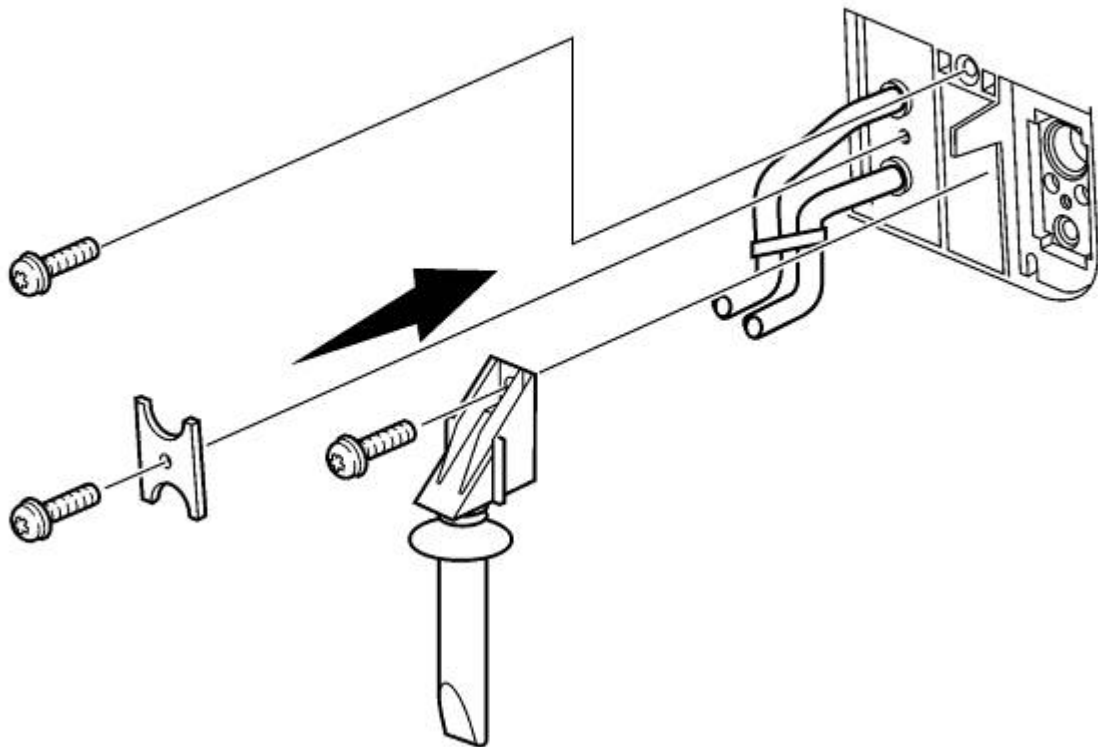
F: The ventilation nozzles must be removed before reinstalling the cover.



Specifications:

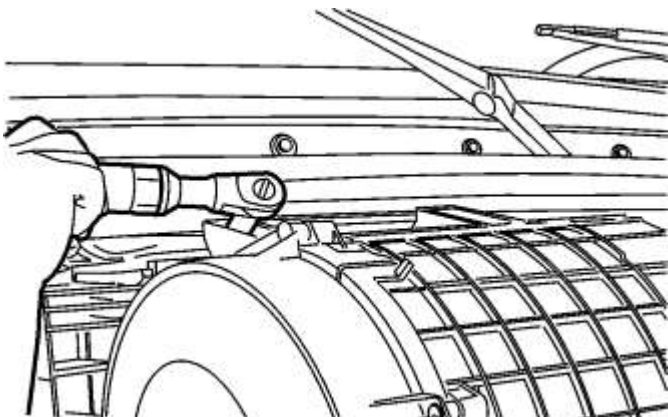
C:  $6 \pm 1$  Nm E:  $10 \pm 1.5$  Nm

14



Specifications:  
 B:  $10 \pm 1.5$  Nm

15



Install air filter,

16

