

SportDesign Package (2D1/2D5)

Revision: This bulletin replaces bulletin Group 6 1/17, dated October 13, 2017.

Model Year: **As of 2017 up to 2020**

Information: **Retrofitting**

Note:



Figure 1

The SportDesign package (⇒ *Figure 1*) further emphasizes the sporty nature of the Panamera.

The SportDesign package comprises the following components:

- New front apron
- New side skirts
- New ready-primed rear apron

The components have been tested and approved together. Installing of individual components is not permitted or approved!

The components specified above are also available straight from the factory for new vehicles by requesting optional equipment SportDesign package (2D1)/SportDesign package painted Black (high-gloss – 2D5).

The respective optional equipment is differentiated in terms of the scope of parts and the paint finish (Matt Black or High-Gloss Black) of the individual parts.

For **I-no. 2D1**, we recommend the following paint finish:

- Matt Black (OK1): All grilles (radiators, vents) and trims (fog lights, front camera)
- Exterior color: All large parts (complete front/rear apron), cover for towing lug and parking sensor

For **I-no. 2D5**, we recommend the following paint finish:

- High-Gloss Black (O41): All grilles (radiators, vents), trims (fog lights, front camera) and rear diffuser
- Exterior color: All large parts (front/rear apron) and cover for towing lug and parking sensor

A basic package and the relevant enhanced package must also be ordered, depending on vehicle equipment.

Parts Info:

SportDesign Package (SDP) – Basic package, complete, USA

971.044.862 ⇒ SDP – Vehicle without headlight washer system (8X0)

971.044.862.A ⇒ SDP – Vehicle with headlight washer system (8X1)

971.044.862.B ⇒ SDP – Executive (OE2) without headlight washer system (8X0)

971.044.862.C ⇒ SDP – Executive (OE2) with headlight washer system (8X1)

SportDesign Package (SDP) **WITHOUT** sill covers – Basic Package, USA

971.044.863.D ⇒ SDP without sill covers – vehicle without headlight washer system (8X0)

971.044.863.E ⇒ SDP without sill covers – vehicle with headlight washer system (8X1)

Also order the following enhanced package according to market and vehicle equipment:

971.044.867 ⇒ SDP enhancement – Basic vehicle

971.044.867.A ⇒ SDP enhancement – vehicle with night vision system (9R1)

971.044.867.B ⇒ SDP enhancement – vehicles with ultrasound parking assistant with Real Top View (8A4).

971.044.867.C ⇒ SDP enhancement – vehicle with ultrasound parking assistant with Real Top View (8A4) and night vision system (9R1)

971.044.867.D ⇒ SDP enhancement – vehicle with ACC (8T3) or ACC High with InnoDrive (3V1)

971.044.867.E ⇒ SDP enhancement – vehicle with night vision system (9R1) and ACC (8T3) or ACC High with InnoDrive (3V1)

971.044.867.F

⇒ SDP enhancement – Vehicle with ultrasound parking assistant with Real Top View (8A4) and ACC (8T3) or ACC High with InnoDrive (3V1)

971.044.867.G

⇒ SDP enhancement – Vehicle with ultrasound parking assistant with Real Top View (8A4) and night vision system (9R1) and ACC (8T3) or ACC High with InnoDrive (3V1)



Information

Number plate holder for USA are already contained in the respective basic package.

Parts list:

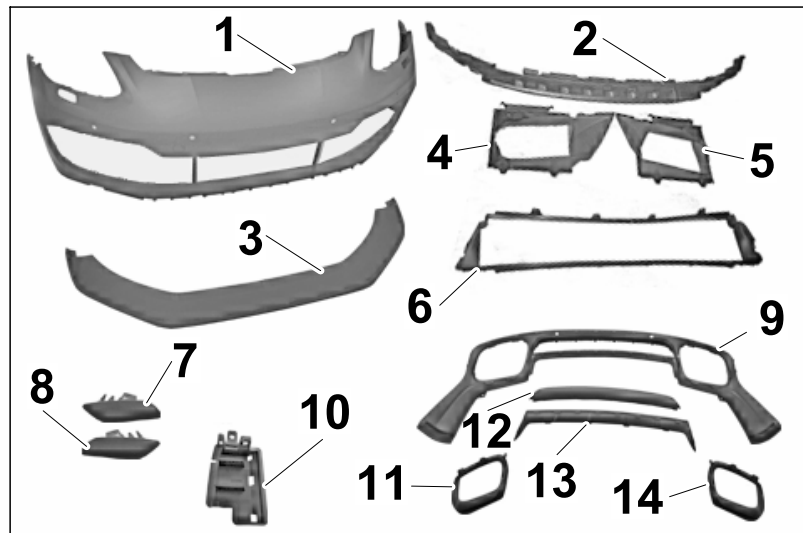


Figure 2

Parts included for front apron/rear apron/air guide:

— — — 1	1 x	Front apron, prime-coated, (8X1), Not for USA ⇒ Figure 2-1-
— — — 2	1 x	Front apron, prime-coated, (8X1), USA (not shown)
— — — 3	1 x	Front apron, prime-coated, (8X0), USA (not shown)
971.807.549.E	1 x	Plastic foam strip for pedestrian protection ⇒ Figure 2-2-
971.807.541.B.G2X	1 x	Lower part of front spoiler, prime-coated ⇒ Figure 2-3-
971.121.334.B	1 x	Side air guide (right) ⇒ Figure 2-4-
971.121.333.B	1 x	Side air guide, (left) ⇒ Figure 2-5-
971.121.710.G	1 x	Front air guide ⇒ Figure 2-6-
971.807.753 G2X ²	1 x	Headlight washer system cover (left), prime-coated ⇒ Figure 2-7-
971.807.754 G2X ²	1 x	Headlight washer system cover (right), prime-coated ⇒ Figure 2-8-
971.807.521.A.G2X	1 x	Lower part of rear spoiler, prime-coated ⇒ Figure 2-9-

971.807.773.A	1 x	Virtual Pedal (VIP) holder ⇒ <i>Figure 2-10-</i>
971.807.952.A.OK1	1 x	Rear silencer trim (right), matt black ⇒ <i>Figure 2-11-</i>
971.807.684.OK1	1 x	Center grille, rear, matt black ⇒ <i>Figure 2-12-</i>
971.807.568.G2X	1 x	Rear diffuser, prime-coated ⇒ <i>Figure 2-13-</i>
971.807.951.A.OK1	1 x	Rear silencer trim (left), matt black ⇒ <i>Figure 2-14-</i>
971.807.155.B.G2X	1 x	Towing lug cover, prime coated (not shown)
971.807.287.M.G2X ³	1 x	Number plate carrier, USA, prime-coated, (not shown)
N 104.734.02	20 x	Lens-head screws TP6 x 20-Q (not shown)
971.953.041.C	1 x	Auxiliary headlights, left direction indicator light (not shown)
971.953.042.C	1 x	Auxiliary headlights, right direction indicator light (not shown)
500.919.275.B.G2X	2 x	Parking Assistant sensor, prime-coated (not shown)
500.919.275.C.G2X	2 x	Parking Assistant sensor, prime-coated (not shown)
971.035.510.C	2 x	UMTS stick-on antenna (not shown)
999.919.243.01	8 x	Screws for number plate carrier (not shown)
— — —	4 x	Clip (not shown)

1 ONLY contained in respective set!

2 Only included in the respective set with headlight cleaning system (headlight washer system = 8X1)!

3 ONLY contained in respective USA set!

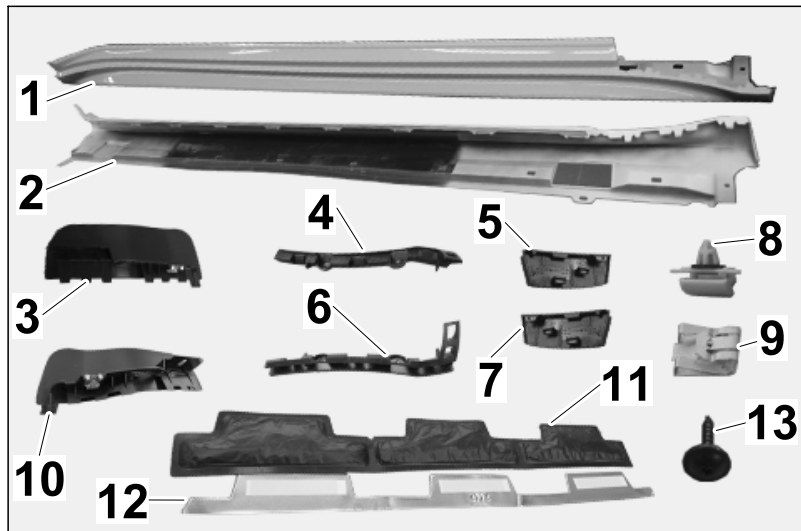


Figure 3

Parts included for side skirts:

971.854.883.B.G2X ⁴	1 x	Side skirt (left), prime-coated ⇒ <i>Figure 3-1-</i>
971.854.884.B.G2X ⁴	1 x	Side skirt (right), prime-coated ⇒ <i>Figure 3-2-</i>

971.854.883.C.G2X ⁴	1 x	Side Skirt Executive – OE2 (left), prime-coated (not shown)
971.854.884.C.G2X ⁴	1 x	Side Skirt Executive – OE2 (right), prime-coated (not shown)
971.854.828.OK1	1 x	Rubber lip, rear right ⇒ <i>Figure 3-3-</i>
971.854.943	1 x	Retaining strip (left) ⇒ <i>Figure 3-4-</i>
971.853.610.OK1	1 x	Wheel cover on sill cover, rear right ⇒ <i>Figure 3-5-</i>
971.854.944	1 x	Retaining strip (right) ⇒ <i>Figure 3-6-</i>
971.853.609.OK1	1 x	Wheel cover on sill cover, rear left ⇒ <i>Figure 3-7-</i>
971.853.755	18 x	Fixing clip ⇒ <i>Figure 3-8-</i>
9A7.007.380.00	4 x	Clamping nut ⇒ <i>Figure 3-9-</i>
971.854.827.OK1	1 x	Rubber lip, rear left ⇒ <i>Figure 3-10-</i>
— — —	4 x	Absorber ⇒ <i>Figure 3-11-</i>
— — —	4 x	Acoustic film ⇒ <i>Figure 3-12-</i>
9A7.007.698.00	4 x	Round head screw, ST4,8 x 16 ⇒ <i>Figure 3-13-</i>

⁴ Only included in the respective sets "Basic, complete"!



Figure 4

Parts included for enhanced packages:

_____ ⁵	1 x	Center grille, prime-coated ⇒ <i>Figure 4-1-</i>
_____	1 x	Grille (left), prime-coated ⇒ <i>Figure 4-2-</i>
_____	1 x	Center grille vane, prime-coated ⇒ <i>Figure 4-3-</i>
971.807.985.F OK1	1 x	Support for ACC vane (left), ⇒ <i>Figure 4-4-</i>
_____ ⁵	1 x	Center grille, prime-coated ⇒ <i>Figure 4-5-</i>
_____	1 x	Center grille vane (right), prime-coated ⇒ <i>Figure 4-6-</i>
_____	1 x	Center grille vane (left), prime-coated ⇒ <i>Figure 4-7-</i>
_____	1 x	Decorative insert (left), prime-coated ⇒ <i>Figure 4-8-</i>
_____	1 x	Vane (C blade, right), prime-coated ⇒ <i>Figure 4-9-</i>
971.807.986.E OK1	1 x	Support piece for vane (right) ⇒ <i>Figure 4-10-</i>
971.807.985.E OK1	1 x	Support piece for vane (left) ⇒ <i>Figure 4-11-</i>
_____	1 x	ACC trim, left (8T3/3V1, left) ⇒ <i>Figure 4-12-</i>
_____	1 x	Side vane (left) ⇒ <i>Figure 4-13-</i>
_____	1 x	Side vane (right) ⇒ <i>Figure 4-14-</i>
_____	1 x	Grille (right), prime-coated ⇒ <i>Figure 4-15-</i>
971.807.486.C OK1	1 x	Insert piece for trim (8T1, right) ⇒ <i>Figure 4-16-</i>
971.807.485.C OK1	1 x	Insert piece for trim (8T1, left) ⇒ <i>Figure 4-17-</i>
971.807.486.D OK1	1 x	Insert piece for trim, ACC (3V1/8T3, right) ⇒ <i>Figure 4-18-</i>
971.807.997.B	1 x	Camera holder ⇒ <i>Figure 4-19-</i>
971.807.986.F OK1	1 x	Support for ACC vane (8T3/3V1, right) ⇒ <i>Figure 4-20-</i>
971.807.485.D OK1	1 x	Insert piece for trim, ACC (3V1/8T3, left) ⇒ <i>Figure 4-21-</i>
_____	1 x	Camera cover, (8A4), prime-coated ⇒ <i>Figure 4-22-</i>
_____	1 x	Vane (C blade, left), prime-coated ⇒ <i>Figure 4-23-</i>
_____	1 x	Decorative insert (right), prime-coated ⇒ <i>Figure 4-24-</i>
_____	1 x	ACC trim (8T3/3V1, right) ⇒ <i>Figure 4-25-</i>
_____	1 x	Center grille, prime-coated (7X2/7X8/9R0), (not shown)
_____	1 x	Center grille, prime-coated, (7X2/7X8/9R1), (not shown)

⁵ ONLY included in respective enhancement package!

Materials:	_____	——	Cleaning cloth (commercially available)
	_____	——	Isopropanol (commercially available)
	000.043.300.49	——	Activator

Tools:	9900 - PIWIS Tester 3
	T10118 - Assembly tool
	VAS 6937 Adjusting gauge

Assembly: 1 Preparatory work



Painting components

- Risk of warping of components
 - Risk of damage to components
- ⇒ Observe the guidelines and instructions for painting components in the "Paint" Workshop Manual.
- ⇒ Always place parts without tension on the painting devices provided during painting and drying processes.

1.1 Paint all ready-primed parts to match the vehicle's color code in accordance with instructions in the Paint Workshop Manual.

1.1.1 Paint the following parts in exterior color:
Front part of front apron, front spoiler, number plate carrier, cap, towing lug, cover on headlight cleaning system, rear skirt, parking sensors and sill covers

1.1.2 Paint the following parts in High-gloss Black (041) or Black Mat (OK1):
Center grille, decorative insert at left/right, vane at left/right, ACC trim, vane in center grille, vane (C blade) at left/right, RTV cover, grille at left/right, lower diffusor

1.2 Disconnect the battery. ⇒ *Workshop Manual '2X00IN Work instructions after disconnecting the battery'*

1.3 Raise the vehicle. ⇒ *Workshop Manual '4X00IN Lifting the vehicle'*

2 Convert rear apron.

2.1 Remove rear apron. ⇒ *Workshop Manual '635519 Removing and installing rear apron'*.



Information

Some of the repair illustrations show only one side of the vehicle. Naturally, some steps also have to be performed on the opposite side of the vehicle as well. These must be carried out as a mirror image of the steps shown.

2.2 Remove the following components from rear apron.

- 1 – ParkAssist sensor
- 2 – Clip
- 3 – Clip (Keyless Entry)
- 4 – Antenna
- 5 – Antenna
- 6 – VIP control unit

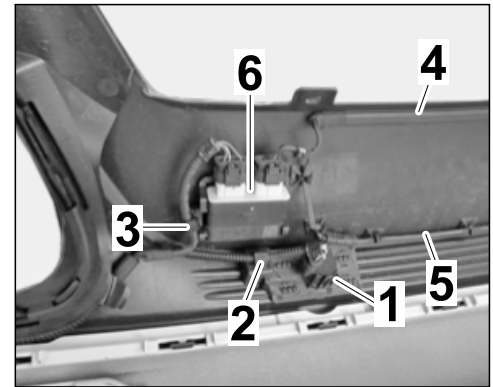


Figure 5

2.2.1 Remove ParkAssist sensor (⇒ *Figure 5-1-*) from rear skirt.
⇒ *Workshop Manual '917519 Removing and installing ParkAssist sensor'*

2.2.2 Unclip clip (⇒ *Figure 5-2-*) from ParkAssist sensor holder.

2.2.3 **ONLY** for vehicles with Keyless Entry (4F2 / 4F6):
Unclip clip (⇒ *Figure 5-3-*) from VIP control unit holder.

Carefully detach antennas (⇒ *Figure 5-4 and 5-*) from rear skirt.

Unclip VIP control unit (⇒ *Figure 5-6-*) from holder.

2.3 Unscrew screw at the left ⇒ *Figure 6-1-* and right.

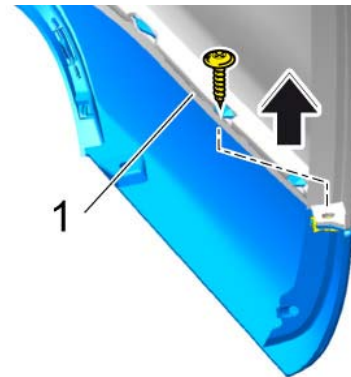


Figure 6

- 2.4 Release locking lugs all the way around ⇒ *Figure 7 -arrow-* and remove rear skirt ⇒ *Figure 7-5-* from rear apron.

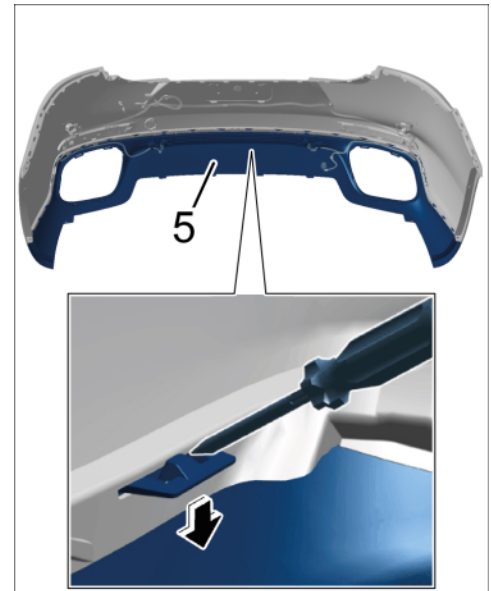


Figure 7

- 2.5 Remove speed nuts ⇒ *Figure 8-1-* from standard rear skirt and install them on the side of the new rear skirt.
- 2.6 Clip new rear skirt into the rear apron.

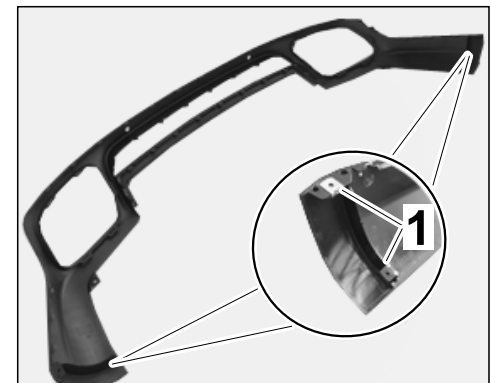


Figure 8

- 2.7 Clip new trim frame for tailpipe cover ⇒ *Figure 9-1-* into the new rear skirt. ⇒ *Workshop Manual '637019 Removing and installing trim frame for tailpipe cover'*

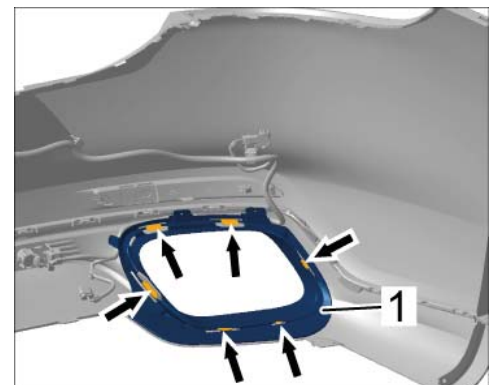


Figure 9

- 2.8 Clip center grille ⇒ *Figure 10-1*- into new rear skirt ⇒ *Figure 10-2*- (⇒ *Figure 10-a*-).

Make sure that the clips ⇒ *Figure 10*-**arrows**- lock securely.

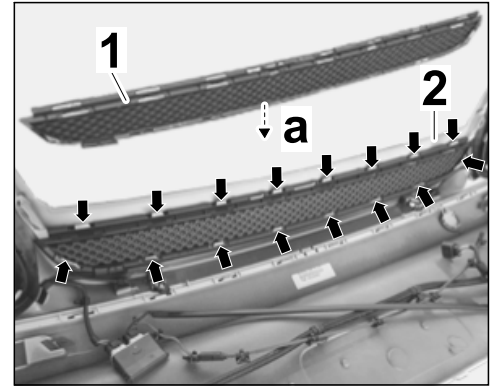


Figure 10

- 2.9 Install diffusor.

2.9.1 First clip diffusor ⇒ *Figure 11-1*- into the center grille ⇒ *Figure 11-2*- (⇒ *Figure 11-arrows*-).

2.9.2 Then clip diffusor into the new rear skirt ⇒ *Figure 11-3*- (⇒ *Figure 11-a*-).

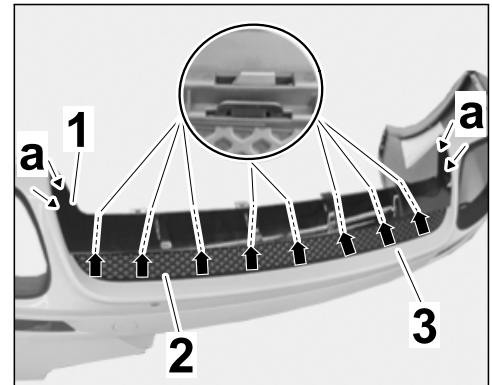


Figure 11

- 2.10 **Only** for vehicles with Keyless Entry (4F2/4F6):

Install Virtual Pedal (VIP) holder.

2.10.1 Clean bonding surfaces to remove all dust and grease.

2.10.2 Pull protective film off VIP holder.

2.10.3 Position VIP holder ⇒ *Figure 12-1*- on guide lug ⇒ *Figure 12-arrow*- on the center grille ⇒ *Figure 12-2*- and press on firmly.

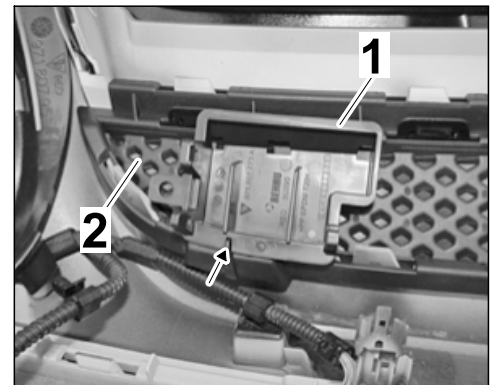


Figure 12

- 2.10.4 Stick double-sided adhesive tape on antenna ⇒ *Figure 13-1-* and antenna support ⇒ *Figure 13-2-*.

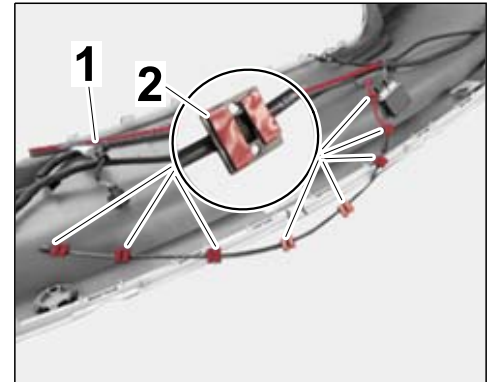


Figure 13

- 2.10.5 Clip VIP control unit ⇒ *Figure 14-1-* into VIP holder.

Clean bonding surfaces to remove all dust and grease.

Install clip ⇒ *Figure 14-2-* into VIP holder.

Pull protective film off the adhesive tape and stick antenna ⇒ *Figure 14-3-* securely above the center grille.

Pull protective film off the holders ⇒ *Figure 14-5-* and stick antenna ⇒ *Figure 14-4-* securely below the center grille.

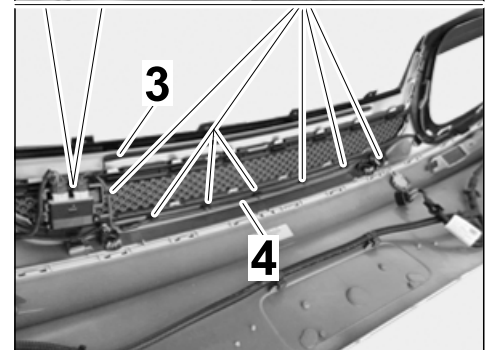
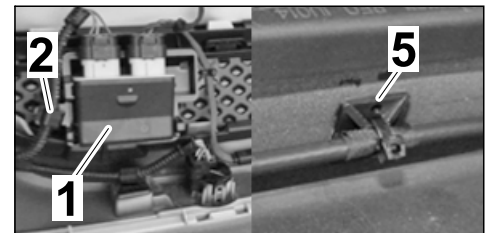


Figure 14

- 2.11 Install ParkAssist sensor in rear skirt. ⇒ *Workshop Manual '917519 Removing and installing ParkAssist sensor'*
- 2.12 Install rear apron. ⇒ *Workshop Manual '635519 Removing and installing rear apron'*
- 3 Remove standard front apron. ⇒ *Workshop Manual '631519 Removing and installing front apron'*



Information

Some of the repair illustrations show only one side of the vehicle. Naturally, some steps also have to be performed on the opposite side of the vehicle as well. These must be carried out as a mirror image of the steps shown.

**Information**

Shown on vehicle with the following equipment:

- Headlight cleaning system (8X1)
- Night vision system (Night version) (9R1)
- Porsche InnoDrive with adaptive cruise control (P8D)

4 Assemble front apron.

- 4.1 Clip front spoiler ⇒ *Figure 15-1*- into the front apron ⇒ *Figure 15-2*- with the help of another person.

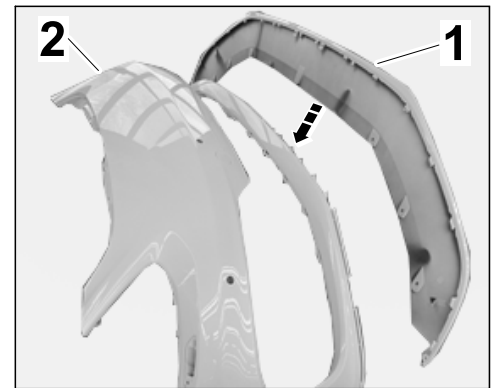


Figure 15

- 4.2 Using four clips ⇒ *Figure 16-1*-, also secure front spoiler to the front apron in area ⇒ *Figure 16-A*-

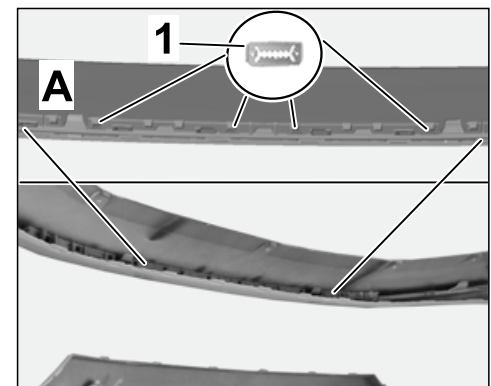


Figure 16

- 4.3 Cut bar ⇒ *Figure 17-1*- off the front apron ⇒ *Figure 17-2*-.

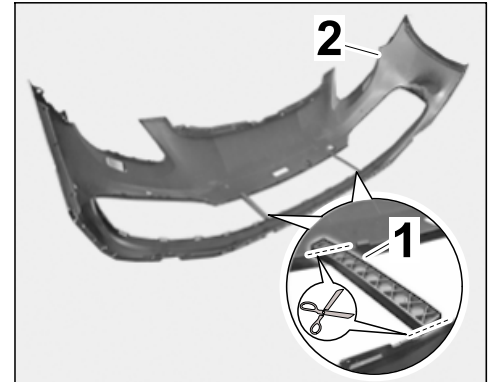


Figure 17

- 4.4 Clip radiator grille (center grille) ⇒ *Figure 18-1*- into the front apron ⇒ *Figure 18-2*-.
Make sure that the locking lugs ⇒ *Figure 18-3*- lock securely.

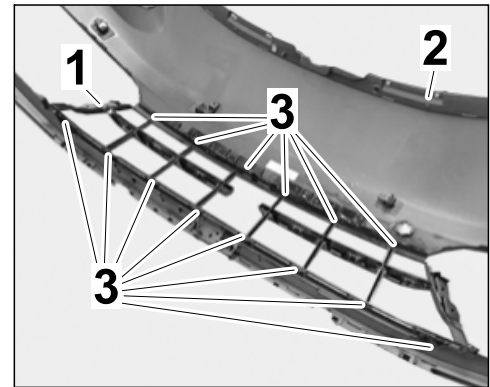


Figure 18

- 4.5 Clip left frame (left grille) ⇒ *Figure 19-1*- into the front apron.
Make sure that the locking lugs ⇒ *Figure 19-2*- lock securely.

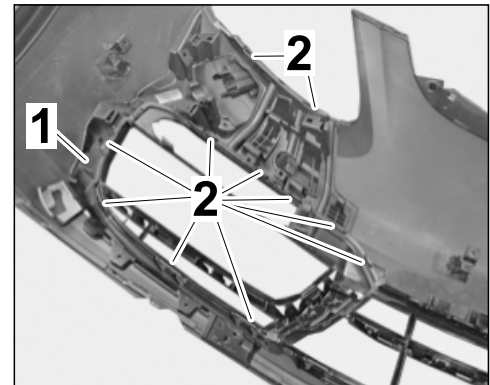


Figure 19

**Information**

Different inner air grilles \Rightarrow *Figure 20* (A - D) are used, depending on vehicle equipment.

- 4.6 Clip inner air grille \Rightarrow *Figure 20* at the right (insert piece for right trim), e.g. type D \Rightarrow *Figure 20-1* into the right frame \Rightarrow *Figure 20-2*.

- A** – Panamera V6/V8 biturbo without ACC
- B** – Panamera V6 Turbo with ACC
- C** – Panamera V6 Turbo without ACC
- D** – Panamera V6/V8 biturbo with ACC

Secure inner air grille with new screws \Rightarrow *Figure 20-3* (N 104.734.02).

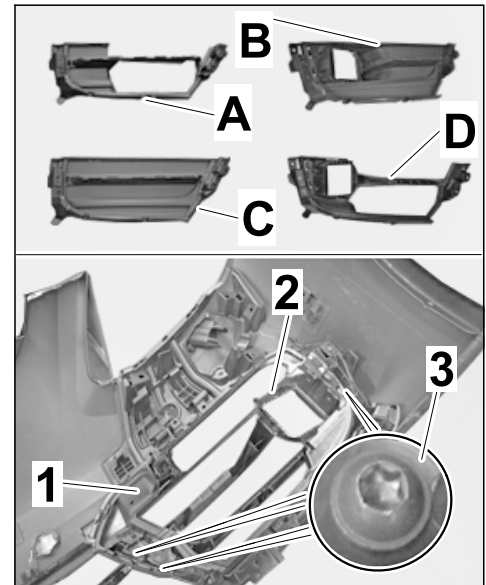


Figure 20

- 4.7 Clip outer air grille (C blade vane) \Rightarrow *Figure 21-1* into the frame \Rightarrow *Figure 21-2* (\Rightarrow *Figure 21* -arrows-).

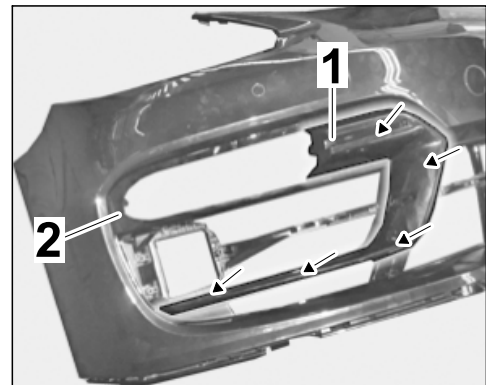


Figure 21

- 4.8 **Only** for vehicles with ACC High with InnoDrive (3V1) or Automatic distance control (8T3):
Do not install center air grille (ACC trim) ⇒ *Figure 22 -1-until after* you have adjusted the distance measuring sensor (see Step 8.5).

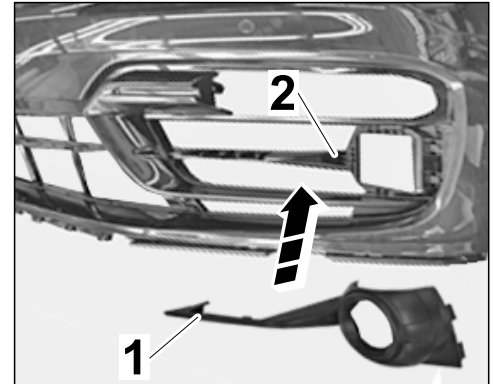


Figure 22

- 4.9 **Only** for vehicles without ACC:
Clip vane (971.707.878) ⇒ *Figure 23 -1-* into inner air grille ⇒ *Figure 23 -2-*.

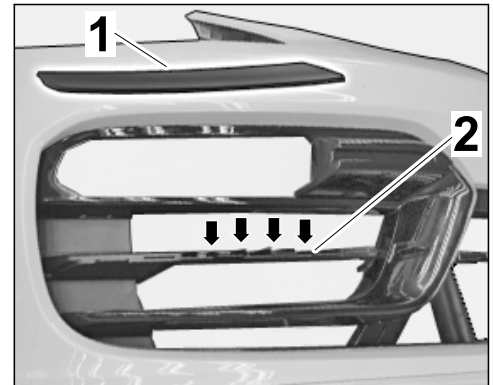


Figure 23

- 4.10 **Only** for vehicles with ACC High with InnoDrive (3V1) or Automatic distance control (8T3):

4.10.1 Remove control unit for distance measuring sensor from the standard front apron. ⇒ *Workshop Manual '278519 Removing and installing control unit for distance measuring sensor'*

4.10.2 Position distance measuring sensor control unit ⇒ *Figure 24 -1-* in inner air guide. Tighten Torx screws ⇒ *Figure 24 -2-*.

Tightening torque 2.5 Nm (1.75 ftlb.) +/-10 %

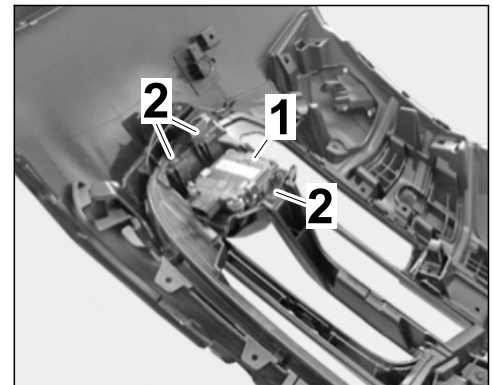


Figure 24

- 4.11 Install new auxiliary headlights ⇒ *Figure 25-1-* (shown on standard front apron).

Tighten new screws (N 104.734.02) ⇒ *Figure 25-3-*.

Tightening torque 2.5 Nm (1.75 ftlb.)



Information

The number of electric plug connections and clips will vary depending on equipment.

- 4.12 Convert front wire harness.

4.12.1 Remove standard ParkAssist sensors (4 x) and install them in the new front apron. Also use new ParkAssist sensors (2 x).

4.12.2 Remove wire harness at the right ⇒ *Figure 26-1-* from the standard front apron and install it in the new front apron.

4.12.3 Remove wire harness at the left from the standard front apron and install it in the new front apron.

- 4.13 Vehicles **with** headlight cleaning system (8X1):
Convert spray nozzle and hose for headlight cleaning system.

- 4.13.1 **Not** for Panamera Turbo:

Release connector ⇒ *Figure 27-3-* and pull it off.

Unscrew screws ⇒ *Figure 27-2-* and remove auxiliary headlights ⇒ *Figure 27-1-*.

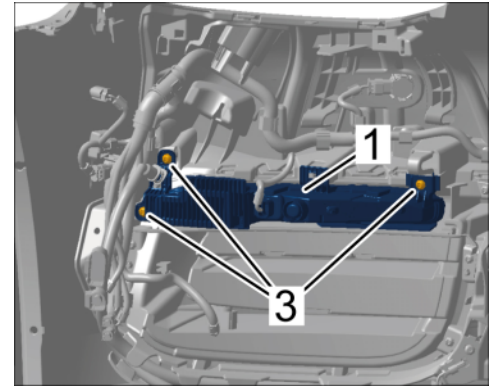


Figure 25

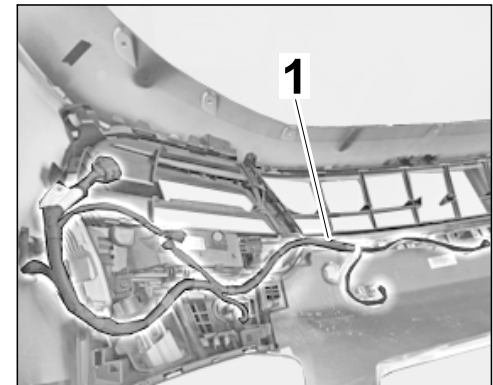


Figure 26

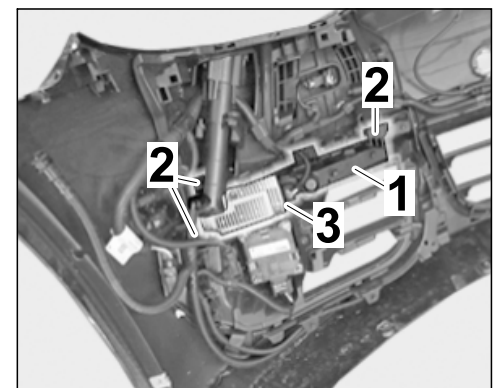


Figure 27

- 4.13.2 Remove hose for headlight cleaning system. ⇒ *Workshop Manual '927719 Removing and installing hose for headlight washer system'*
- 4.13.3 Remove spray nozzle for headlight cleaning system. ⇒ *Workshop Manual '927219 Removing and installing headlight-washer spray nozzle'*
- 4.13.4 The spray nozzle and hose for the headlight cleaning system are installed in the new front apron in reverse order to removal.

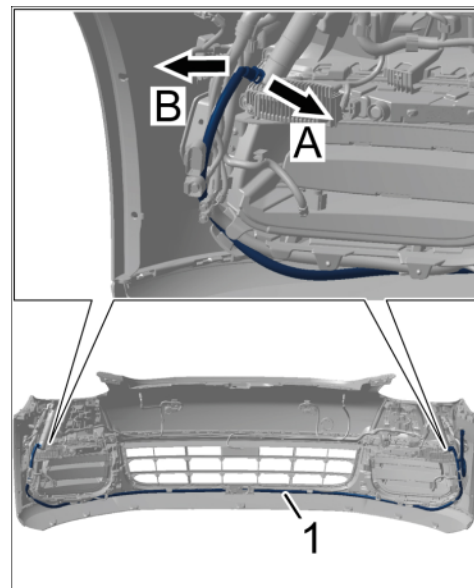


Figure 28

- 4.14 Convert middle pedestrian protection sensor. ⇒ *Workshop Manual '696719 Removing and installing pedestrian protection sensor'*
- 4.15 **Only** for USA vehicles:
Convert side marker light. ⇒ *Workshop Manual '945219 Removing and installing side marker light'*

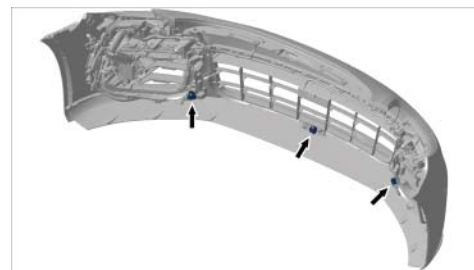


Figure 29

- 4.16 Install UMTS antenna.
- 4.16.1 Clean bonding surfaces to remove all dust and grease.
- 4.16.2 Pull off protective film and press on stick-on antenna ⇒ *Figure 30-1-* at the relevant marking on the front apron.
- 4.16.3 Connect electric plug connection.
- 4.17 **Only** for vehicles with ultrasound parking assistant with Real Top View (8A4).
- 4.17.1 Remove front camera from the standard front apron. ⇒ *Workshop Manual '916919 Removing and installing front camera'*

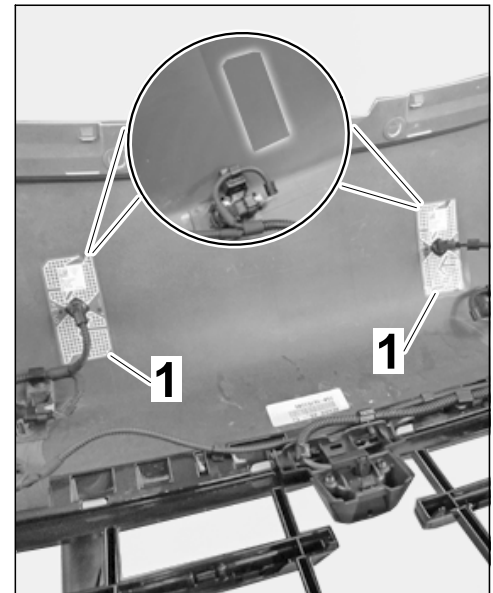


Figure 30

- 4.17.2 Position front camera ⇒ *Figure 31-1-* in front camera holder ⇒ *Figure 31-2-*.

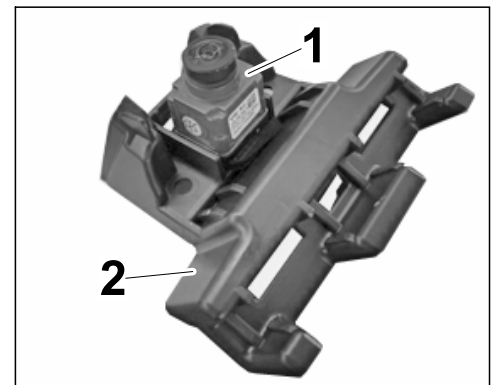


Figure 31

- 4.17.3 Install camera cover ⇒ *Figure 32-1-* on front camera holder ⇒ *Figure 32-2-*. The locking lug must engage securely.

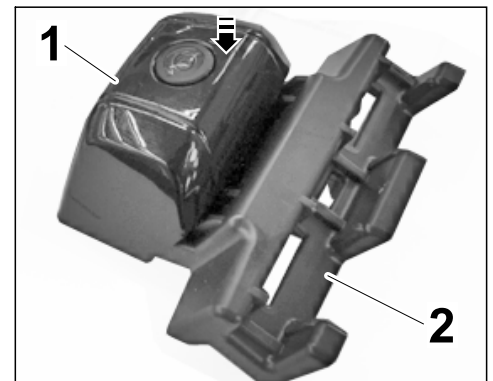


Figure 32

- 4.17.4 Screw in and tighten screws ⇒ *Figure 33-1-*.

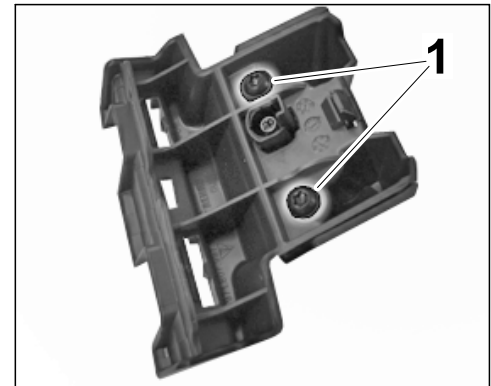


Figure 33

- 4.17.5 Clip front camera holder ⇒ *Figure 34-1-* into radiator grille ⇒ *Figure 34-2-*.
- 4.17.6 Connect electric plug connection for front camera.

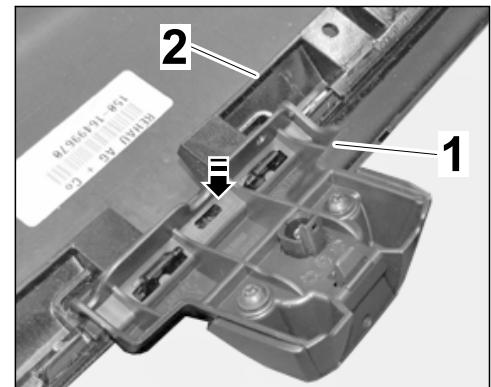


Figure 34



Information

A one or two-piece radiator grille vane is used, depending on vehicle equipment.

- 4.18 Clip radiator grille vane at the right ⇒ *Figure 35-1-* and left onto the radiator grille ⇒ *Figure 35-2-*.

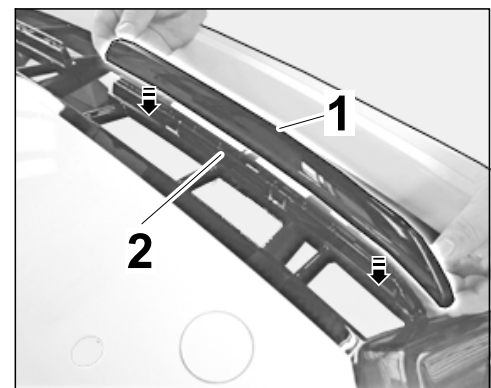


Figure 35

- 4.19 Bond decorative insert ⇒ *Figure 36-1*- into auxiliary headlights.
- 4.19.1 Clean bonding area to remove dust and grease.
- 4.19.2 Pull protective film off the adhesive tape.
- 4.19.3 Bond decorative insert in groove ⇒ *Figure 36-2*- on auxiliary headlights and outer air grille.
- 4.20 Install front number plate cover. ⇒ *Workshop Manual '668319 Removing and installing number plate cover'*

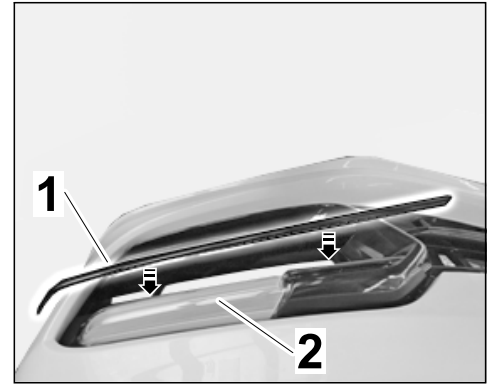


Figure 36

- 5 Convert front air guide.
- 5.1 Remove standard air guide at the front (cooling-air flaps) and install new air guide. ⇒ *Workshop Manual '192419 Removing and installing front air guide (cooling-air flaps)'*
- 5.2 **Only** for Panamera V6/V8 biturbo (DJ7/D09/D29/DW4):
Remove standard front air guide at the side (ahead of charge-air cooler) at the left and right and install new front air guide at the side. ⇒ *Workshop Manual '211019 Removing and installing front air guide at the side (ahead of charge-air cooler)'*
- 6 Install new impact absorber.

- 6.1 Release and disconnect electric plug connections ⇒ *Figure 37-2*- on pedestrian protection actuator ⇒ *Figure 37-1*-.

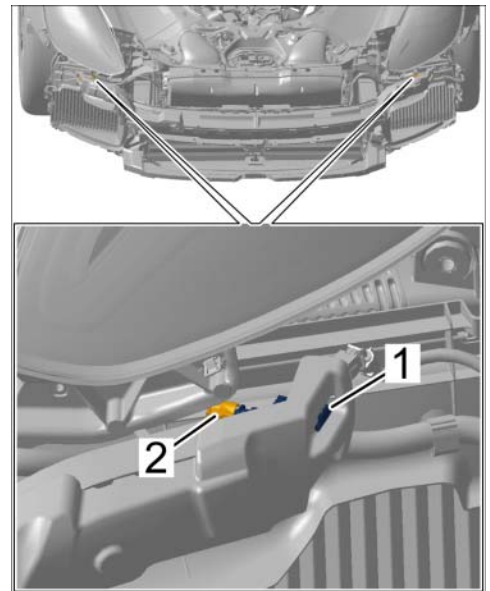


Figure 37

- 6.2 Remove standard impact absorber ⇒ *Figure 38-3-* from the bumper.

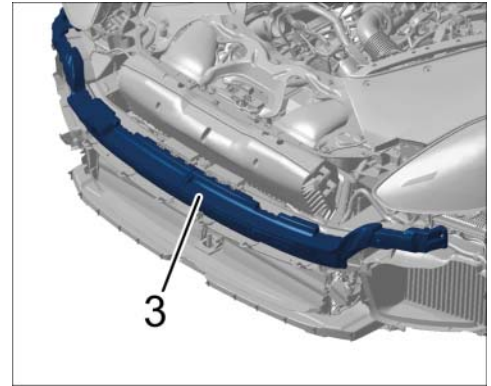


Figure 38

- 6.3 Unclip pedestrian protection sensor (hose sensor) ⇒ *Figure 39-3-* from the impact absorber.
- 6.4 The new impact absorber is installed in reverse order.

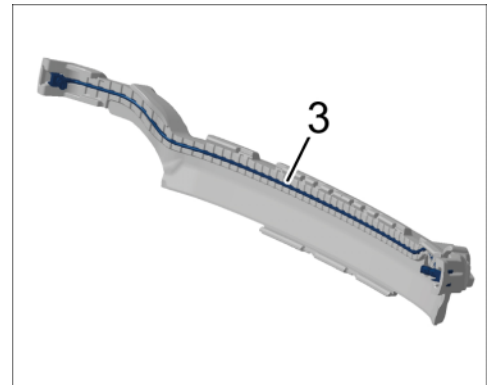


Figure 39

- 7 Install SportDesign front apron. ⇒ *Workshop Manual '631519 Removing and installing front apron'*
- 8 **Only** for vehicles **without** SportDesign sill cover (VR4):

- 8.1 Remove standard door entry guard. ⇒ *Workshop Manual '663119 Removing and installing door entry guard'*
- 8.2 Mask the lever with adhesive tape ⇒ *Figure 40-2-* to prevent damage to the paintwork on the door sill.

Using a lever ⇒ *Figure 40-3-*, carefully remove clip ⇒ *Figure 40-1-* from the door sill.

- 8.3 Assemble SportDesign sill cover.

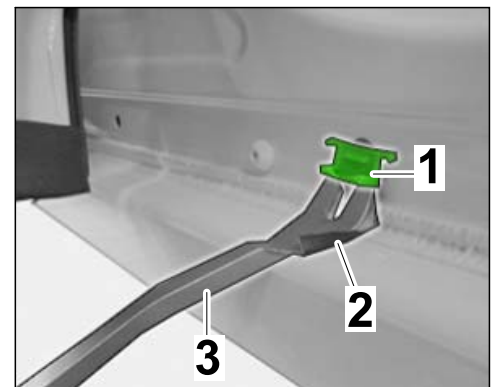


Figure 40

8.3.1 Install new clips.

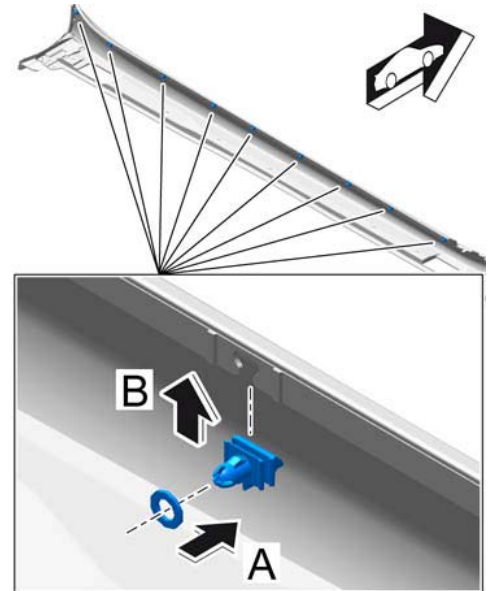


Figure 41

8.3.2 Install rubber lip (spoiler) at the rear
⇒ Figure 42-1- on the sill cover ⇒
Figure 42-2- and push in direction
of arrow until the rubber lip locks
securely.

Secure rubber lip (spoiler) with a
tapping screw ⇒ Figure 42-3-.

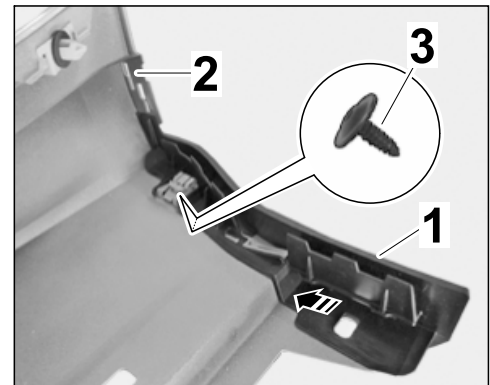


Figure 42

- 8.3.3 Install retaining lugs ⇒ *Figure 43*
-2- of trim at wheel opening ⇒
Figure 43-1- into the door sill trim
and press downwards ⇒ *Figure 43*
-a-.

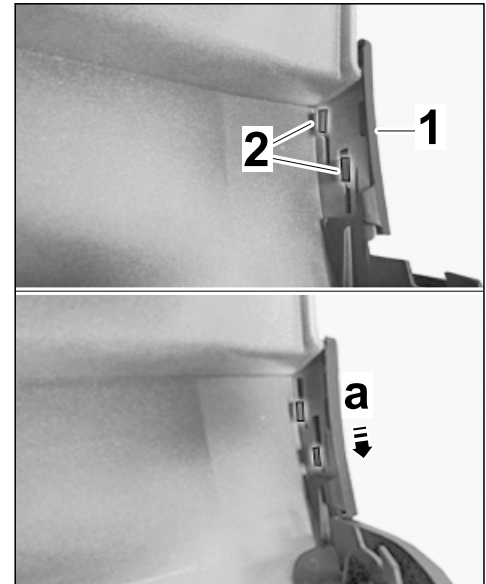


Figure 43

- 8.3.4 Install speed nut ⇒ *Figure 44-1-* at
the front of the sill cover.

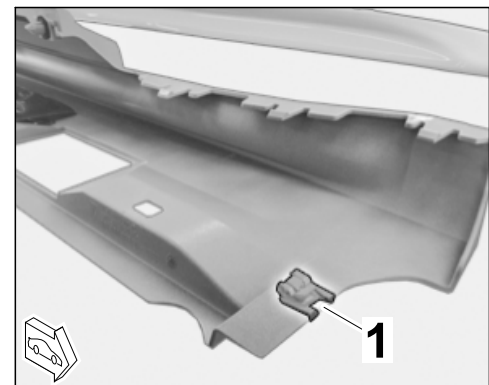


Figure 44



Information

Take installation position of acoustic film and absorber from the standard sill cover.

- 8.3.5 Clean bonding surfaces to remove all dust and grease.

Pull protective film ⇒ *Figure 45-1-* off the back of the acoustic film ⇒ *Figure 45-2-* and stick it onto the SportDesign sill cover.

Pull protective film ⇒ *Figure 45-3-* off the front of the acoustic film.

Stick on absorber ⇒ *Figure 45-4-*.

- 8.4 Install SportDesign sill cover. ⇒ *Workshop Manual '663119 Removing and installing door entry guard'*

- 8.5 **Only** for vehicles with ACC High with InnoDrive (3V1) or Automatic distance control (8T3):

- 8.5.1 Adjust control unit for distance measuring sensor. ⇒ *Workshop Manual '278515 Adjusting control unit for distance measuring sensor'*

- 8.5.2 Clip center air grille (ACC trim) ⇒ *Figure 46-1-* into the inner air guide ⇒ *Figure 46-2-*.

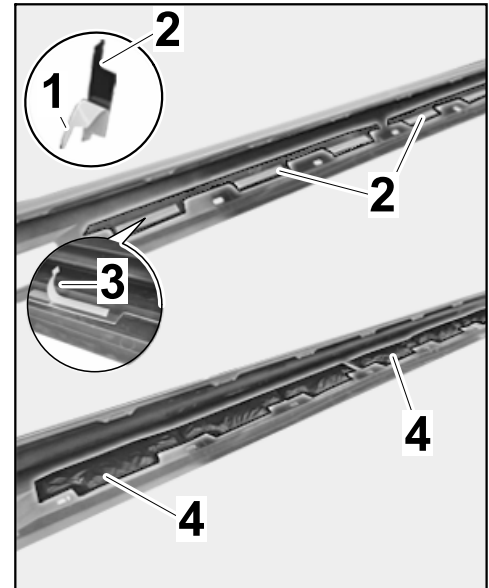


Figure 45

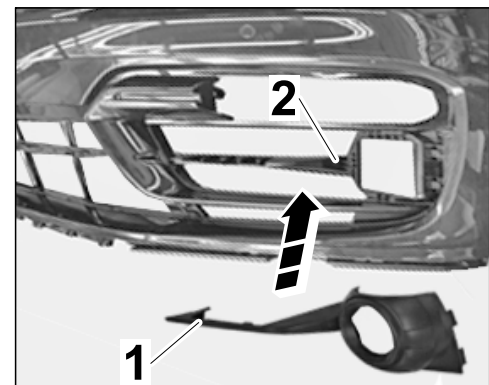


Figure 46

Make sure that the locking lugs ⇒
Figure 47-2- lock securely.

- 9 Code SportDesign package.

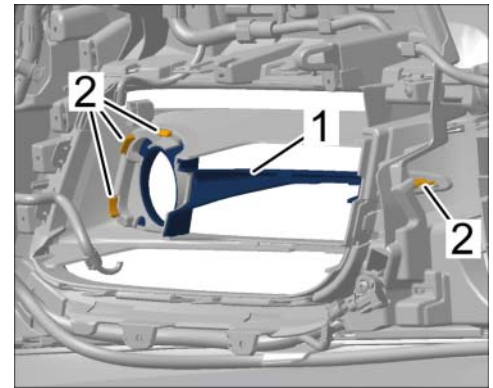


Figure 47

NOTICE

Voltage drop

- Risk of irreparable damage to control unit
 - Risk of damage to control unit
 - Fault entries in the control unit
 - Coding in the control unit is aborted
 - Malfunctions in control unit, even during programming
- ⇒ Before disconnecting the control unit, switch off ignition and remove ignition key.
- ⇒ Make sure that the power supply is not interrupted during programming.
- ⇒ Connect battery charger/power supply - Suitable for AGM Type batteries, recommended current rating of 90A fixed voltage 13.5V to 14.5V.



Information

The **9900 - PIWIS Tester III** instructions take precedence since the description may be different with later Tester releases.

The procedure described here has been structured in general terms; different text or additions may appear on the **9900 - PIWIS Tester III**.

- 9.1 **9900 - PIWIS Tester 3** must be connected and ignition switched on.
- 9.2 Select "Diagnostics". **9900 - PIWIS Tester 3** detects the model line.
Press Next. PIWIS Tester III Diagnostics starts.
- 9.3 Update vehicle data.
- 9.3.1 **Additional menu** must be selected by pressing **•F7** . Press **•F11** to confirm the question "Create vehicle analysis log (VAL)?".

- 9.3.2 Select the **Maintenance of vehicle data** function. Press •F12" until PR numbers appears in the Value group column.
- 9.3.3 Select **Trim CD value** in the Family column. When you touch the cell behind Trim CD value, the drop-down menu opens.
Select **2D1 - Sport Design package** or **2D5 - Sport Design package Black**.
Press •F12" to change values.
- 9.3.4 The selected values appear. Press •F8" to write values. Wait until the following message appears: **Generation of vehicle data is complete. Press**
Press •F11" to switch to the control unit overview.
- 9.4 Adapt coding.
- 9.4.1 Select all control units by pressing •Ctrl A" . Press •F12" to continue.
- 9.4.2 Switch to the **Coding/programming** menu. Press •F12" to continue.
Select **Automatic coding** mode. Press •F12" to continue.
- 9.4.3 Wait until the following message appears: **Coding was completed successfully**.
Press •F12" to continue.
Press •F12" to return to the **Overview** menu.
- 9.5 Read out the fault memories of all systems, work through any existing faults and erase the fault memories. ⇒ *Workshop Manual '033500 Fault memory for on-board diagnosis'*
- 9.6 Switch off ignition and disconnect **9900 - PIWIS Tester 3**.
- 9.7 Disconnect the battery charger. ⇒ *Workshop Manual '2X00IN Battery trickle charging'*

66 99 23 00:	SportDesign package, complete installed Includes: Removing and installing front apron, replacing rear apron. Removing and installing side skirts, completing new side skirts. Removing and installing rear apron, partly disassembling rear apron, replacing rear skirt. Without: Adjusting control unit for distance measuring sensor.	Labor time: 642 TU
66 99 23 10:	SportDesign package installed Includes: Removing and installing front apron, replacing rear apron. Removing and installing rear apron, partly disassembling rear apron, replacing rear skirt. Without: Removing and installing side skirts, completing new side skirts. Adjusting control unit for distance measuring sensor.	Labor time: 523 TU

- 66 99 61 51: SportDesign package, complete, painted Labor time: **560 TU**
Includes: New part painting, Step 1:
Painting front apron, cap on towing lug, front spoiler, center grille, decorative insert at left/right, vane at left/right, ACC trim, vane on center grille, vane (C blade) at left/right, RTV cover, grille at left/right, side skirts, rear skirt, new diffusor.
Material units (MU): 31
- 66 99 61 61: SportDesign package new parts painted Labor time: **400 TU**
Includes: New part painting Step 1:
Painting front apron, cap on towing lug, front spoiler, center grille, decorative insert at left/right, vane at left/right, ACC trim, vane on center grille, vane (C blade) at left/right, RTV cover, grille at left/right, rear skirt, new diffusor.
Material units (MU): 23 MU
Without: Painting sill covers.
- 51 01 71 05: Preparing body paintwork Labor time: **130 TU**
Includes: Order-based
Painting of new parts, Step 1
Plastic part
- 27 85 15 50: Distance measuring sensor control unit adjusted Labor time: **84 TU**
Includes: Only for vehicles with ACC.

Important Notice: Technical Bulletins issued by Porsche Cars North America, Inc. are intended only for use by professional automotive technicians who have attended Porsche service training courses. They are written to inform those technicians of conditions that may occur on some Porsche vehicles, or to provide information that could assist in the proper servicing of a vehicle. Porsche special tools may be necessary in order to perform certain operations identified in these bulletins. Use of tools and procedures other than those Porsche recommends in these bulletins may be detrimental to the safe operation of your vehicle, and may endanger the people working on it. Properly trained Porsche technicians have the equipment, tools, safety instructions, and know-how to do the job properly and safely. Part numbers listed in these bulletins are for reference only. The work procedures updated electronically in the Porsche PIWIS diagnostic and testing device take precedence and, in the event of a discrepancy, the work procedures in the PIWIS Tester are the ones that must be followed.

© 2020 Porsche Cars North America, Inc.