



Technical Service Bulletin

34 Oil is found leaking from the transmission case side bolts

34 20 50 2061714/1 December 17, 2020.

Model(s)	Year	VIN Range	Vehicle-Specific Equipment
A4, A5, A6, and Q5	2021	All	DL382 Transmission

Condition

Customer states:

- An oil leak was noticed under the vehicle.

Or

- A transmission malfunction message is displayed in the instrument cluster.

Or

- Gear noises are heard.

Workshop findings:

- Oil is found leaking from the transmission case from the bolts on the side of the case.

Technical Background

Leaks on the transmission case. The oil loss is caused by missing seals from bearing plate bolts.

Production Solution

Not applicable.

Service

1. Clean and remove all oil residue from the transmission and allow the surface to dry.
2. Confirm the exact location of the leak by applying oil leak tracing powder to the suspected areas of the leak. Do not use oil dyes in any Audi transmission.



Technical Service Bulletin

3. Check the bearing plate bolts for oil leakage (Figures 1 - 2).



Tip: Document your findings with photos for your records. Photos should:

- Have a date stamp and VIN reference.
- Be taken in focus and with sufficient light.



Figure 1. Bearing plate bolts.



Technical Service Bulletin

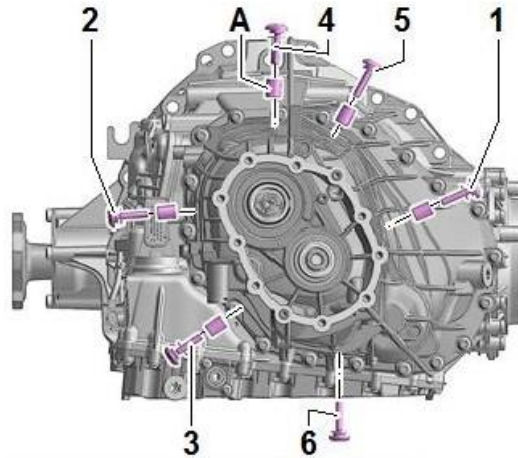


Figure 2. Location of all 6 bolts for the bearing plate.

4. If the oil leak is from one or more of the bearing plate bolts proceed to Step 6 and perform the repair in this TSB.
5. If the oil is leaking from anywhere else on transmission, this TSB does not apply and you should continue with your diagnosis and repair according to warranty policies and procedures.
6. Replace the bolt or several bolts (Only replace the bolts that are leaking) according to the repair manual. You may have to remove the transmission to access some of the bolts.
7. Check and top up the MTF oil level.
8. Test drive the vehicle and recheck for leaks

Warranty

Claim Type:	<ul style="list-style-type: none">• 110 up to 48 Months/50,000 Miles.• G10 for CPO Covered Vehicles – Verify Owner.• If the vehicle is outside any warranty, this Technical Service Bulletin is informational only.		
Service Number:	3435		
Damage Code:	0015		
Labor Operations:	Remove and install gearbox (if necessary to access upper or side bolts)	3435 19XX	See SRT with associated operations



Technical Service Bulletin

	Replace leaking bolts as necessary	3435 5199	50 TU
Diagnostic Time:	GFF	0150 0000	Time stated on the diagnostic protocol (Max 50 TU)
	Road test prior to service procedure	No allowance	0 TU
	Road test after service procedure	0121 0004	10 TU
Claim Comment:	As per TSB # 2061714/1		

All warranty claims submitted for payment must be in accordance with the *Audi Warranty Policies and Procedures Manual*. Claims are subject to review or audit by Audi Warranty.

Required Parts and Tools

Always check with your Parts Department and/or ETKA for the latest information and parts bulletins.		
Part Number	Part Description	Quantity
See ETKA	Fasteners, Bolts, Nuts, and Screws as needed per the Repair Manual	See ETKA/ELSA
WHT009043	Hexagon socket head bolt	As needed
G 055549A2	Transmission oil MTF	As needed to correct level (4 liters max)
G 001900A1 (or equivalent)	Oil leak locating spray	(Shop Supply)

Additional Information

All parts and service references provided in this TSB (2061714) are subject to change and/or removal.

©2020 Audi of America, Inc. All rights reserved. Information contained in this document is based on the latest information available at the time of printing and is subject to the copyright and other intellectual property rights of Audi of America, Inc., its affiliated companies, and its licensors. All rights are reserved to make changes at any time without notice. No part of this document may be reproduced, stored in a retrieval system, or transmitted in any form or by any means, electronic, mechanical, photocopying, recording, or otherwise, nor may these materials be modified or reposted to other sites without the prior expressed written permission of the publisher.