



# SERVICE BULLETIN

Classification: AT20-009	Reference: NTB20-097	Date: December 22, 2020
-----------------------------	-------------------------	----------------------------

## 2015-2020 MURANO; ENGINE SUPPORT TOOLS FOR CVT REMOVAL - AWD

**APPLIED VEHICLES:** 2015-2020 Murano (Z52) – **AWD only**  
**APPLIED ENGINE:** VQ35DE

**NOTE:** For 2015-2018 FWD vehicles, refer to TSB NTB19-043. For 2019 and later FWD vehicles, refer to the ESM.

### SERVICE INFORMATION

The Engine Support Tool and Engine Support Bracket are now available to allow the CVT to be removed from the Applied Vehicles, without removing the engine (Figure 1). The service procedure for using these tools is located in the 2021 Murano ESM.

Refer to the 2021 Murano ESM to remove the CVT using the Engine Support Tools. ESM section: **TRANSMISSION & DRIVELINE - TRANSAXLE & TRANSMISSION - CVT: RE0F10J - UNIT REMOVAL AND INSTALLATION - TRANSMISSION ASSEMBLY - ALL WHEEL DRIVE.**

- A.  
—  
(J-52389)  
Engine support tool
- B.  
—  
(J-52604)  
Engine support bracket

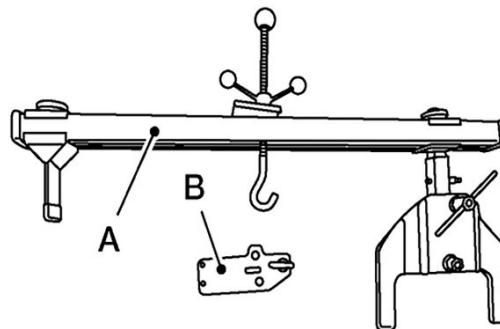


Figure 1

Nissan Bulletins are intended for use by qualified technicians, not 'do-it-yourselfers'. Qualified technicians are properly trained individuals who have the equipment, tools, safety instruction, and know-how to do a job properly and safely. **NOTE:** If you believe that a described condition may apply to a particular vehicle, DO NOT assume that it does. See your Nissan dealer to determine if this applies to your vehicle.

## PARTS INFORMATION

Refer to the Library in the EPC for the Single Use Parts List.

## CLAIMS INFORMATION

Submit a Primary Part (PP) type line claim using the following claims coding:

DESCRIPTION	OP CODE	FRT
CVT R&I	JD01AA	(1)

(1) Refer to the current Nissan Warranty Flat Rate Manual for current FRTs.

## AMENDMENT HISTORY

PUBLISHED DATE	REFERENCE	DESCRIPTION
December 22, 2020	NTB20-097	Original bulletin published