

© 2017 Mazda Motor of America, Inc.

Subject: SPECIAL SERVICE TOOL SHIPMENT - JANUARY 2017	Bulletin No: 00-001/17
	Last Issued: 01/19/2017

APPLICABLE MODEL(S)/VINS

2014-2017 Mazda6

2016-2017 CX-9

DESCRIPTION

In support of the 2014-2017 Mazda6 and 2016-2017 Mazda CX-9, Mazda will ship to all dealers a new Special Service Tool (SST).

- The SST will be shipped by Mazda's tool vendor Bosch in the month of January, 2017.
- The following SST is the latest addition to the Mazda Required Tool (MRT) list:

Part Number	Description
49JP-01-003A	Holder

BILLING INFORMATION

Tool(s) will be automatically invoiced to your dealer parts account statement. Current pricing is available on Mazda e-Store. If your accounting department has any questions regarding this invoicing, please call Mazda Special Service Tools (949-442-6539).

SHIPPING INFORMATION

Tool(s) will be shipped via UPS ground to your Service Department.

Please advise your shipping/receiving personnel of this tool shipment.

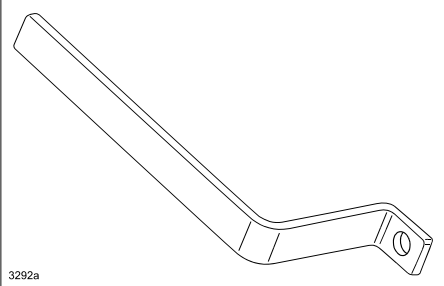
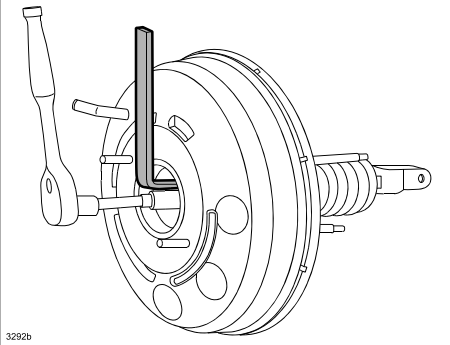
OBTAINING ADDITIONAL TOOLS

To order additional SSTs, submit orders via Mazda e-Store at <http://dealers.mazdausa.com>.

CUSTOMER SERVICE INFORMATION

For warranty or product information call Bosch Customer Service at (877) 722-8336.

SPECIAL SERVICE TOOL (SST) AND USAGE

<p>PART NUMBER / NAME: 49JP-01-003A (Holder)</p> <p>APPLICABLE MODELS: 2014-2017 Mazda6 2016-2017 CX-9</p> <p>USAGE: Utilized to adjust length of the operation rod in the brake booster.</p>	<p>OVERVIEW</p>  <p>3292a</p>	<p>USAGE</p>  <p>3292b</p>
--	---	---