

# Technical Journal

TITLE:

**Steering column cover, squeaking noise**

<b>REF NO:</b> TJ 35715.1.0	<b>ISSUING DEPARTMENT:</b> Technical Service	<b>CAR MARKET:</b> United States and Canada	
<b>PARTNER:</b> 3 US 7515		<b>ISSUE DATE:</b> 2020-11-30	<b>STATUS DATE:</b> 2020-12-03
<b>FUNC GROUP:</b> 6415	<b>FUNC DESC:</b> STEER WHEEL, COLUMN, COLUMN LOCK, SHAFT	Page 1 of 10	

## Attachment

File Name	File Size
TJI-520281-1_1_0_en-US.pdf	2.6760 MB

## DESCRIPTION:

If a squeaking noise can be heard from the steering column covers when driving around 100km/h or 62mph, follow instructions under Service.

## CSC Customer Symptom Codes

Code	Description
H4	Steering/Unusual noise/Unsure when/at all times
G7	Instrument panel/dashboard/Squeak/rattle

## Vehicle Type

Type	Eng	Eng Desc	Sales	Body	Gear	Steer	Model Year	Plant	Chassis range	Struc Week Range
534							2021-2021		0000001-0015735	202007-202041

## SERVICE:

Apply felt tape, p/n 1161842 according to the attached instruction.

## Warranty claim info:

To get warranty claim accepted for a job described in this TJ, please use the attached VST OP number.

# Technical Journal 35715.1.0

## VST Operation Number

VST Operation Number	Description
98753-2	Cover panel steering wheel adjust acc. to TJ 35715

## VEHICLE REPORT:

Yes, please submit a Vehicle Report if the service solution described in this TJ has no effect. Use concern area "Vehicle Report Polestar" and sub concern area "Support not needed Polestar", use function group 6415.

**To view TJ attachment continue to next page. This TJ has one attachment.**

# Polestar

## Polestar Customer Service

TJ Instruction VCC-520281-1

<b>Title</b>	Panel steering column	<b>Page</b>	1 ( 8 )
<b>Action</b>	Product fix	<b>Operation number:</b>	98753-2

<b>Issue</b>	<b>Date</b>	<b>Reason</b>
1	2020-11	First issue

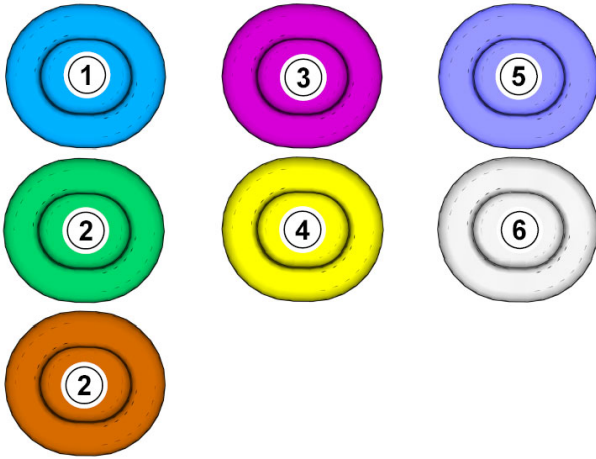
### Affected vehicles

<b>Model year</b>	<b>Model</b>
2021	Polestar 2

### Materials

<b>Materials</b>	<b>Qty.</b>	<b>Part No.</b>	<b>Notes</b>
Anti-squeak tape	0.1	1161842	Cut according picture;

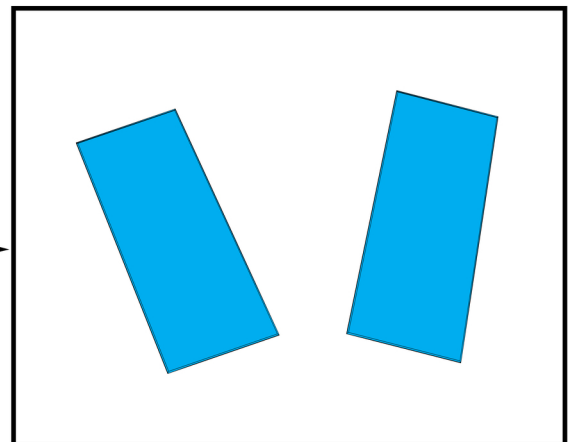
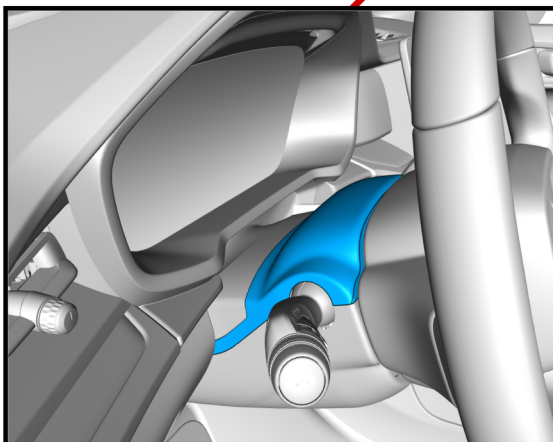
### Color symbols



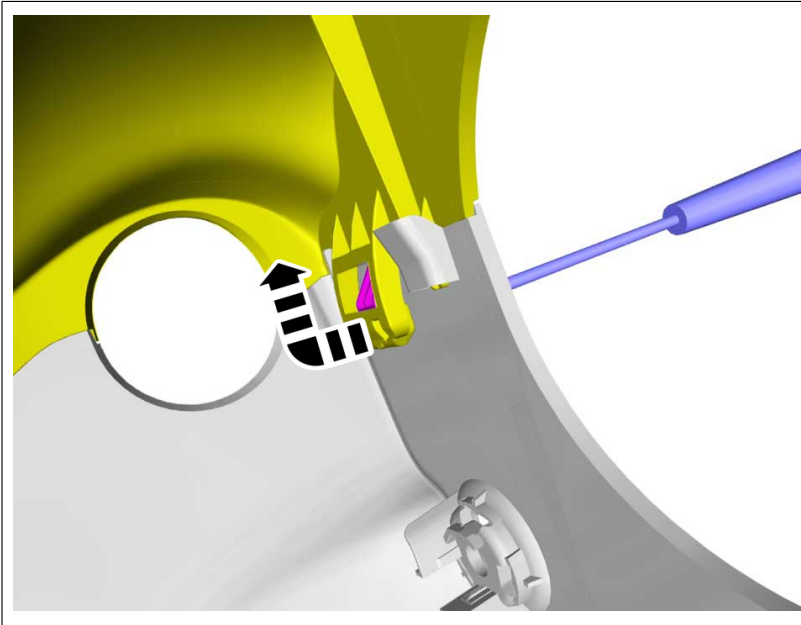
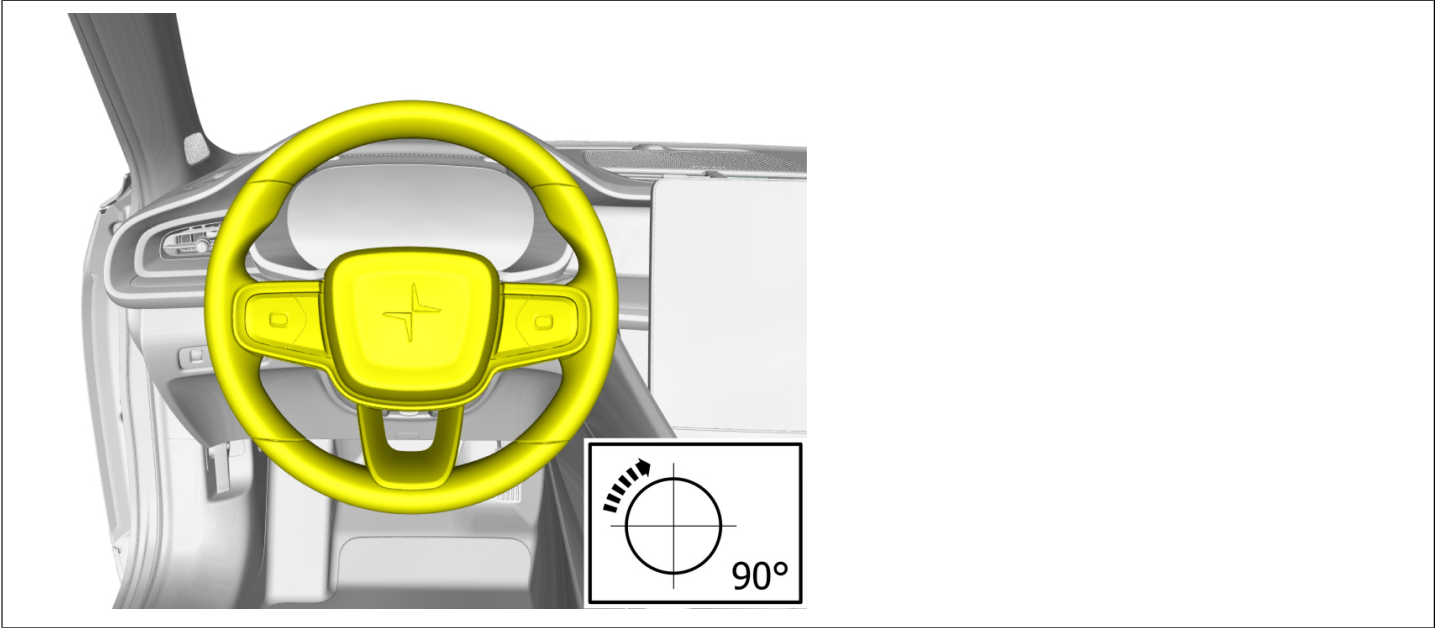
**Note!** This colour chart displays (in colour print and electronic version) the importance of the different colours used in the images of the method steps.

- 1 . Used for focused component, the component with which you will do something.
- 2 . Used as extra colors when you need to show or differentiate additional parts.
- 3 . Used for attachments that are to be removed/installed. May be screws, clips, connectors, etc.
- 4 . Used when the component is not fully removed from the vehicle but only hung to the side.
- 5 . Used for standard tools and special tools.
- 6 . Used as background color for vehicle components.

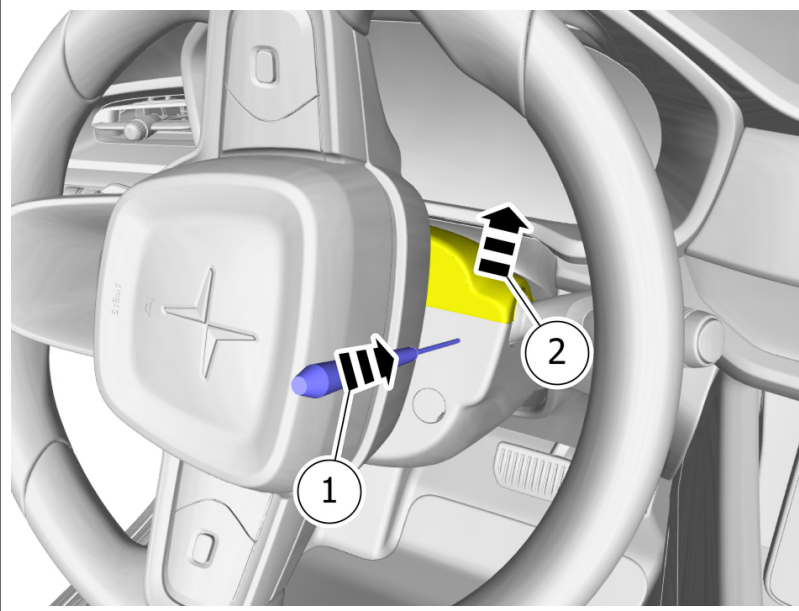
### Orientation view



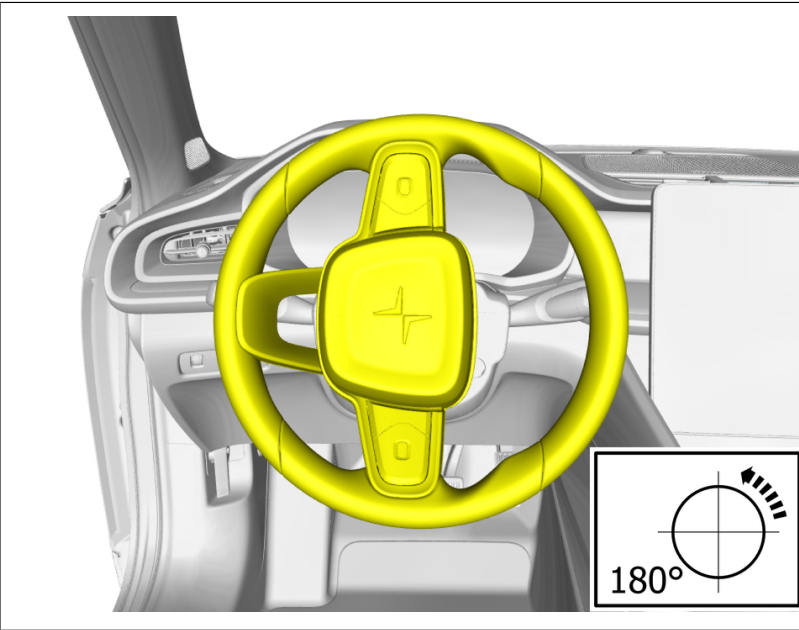
Removal

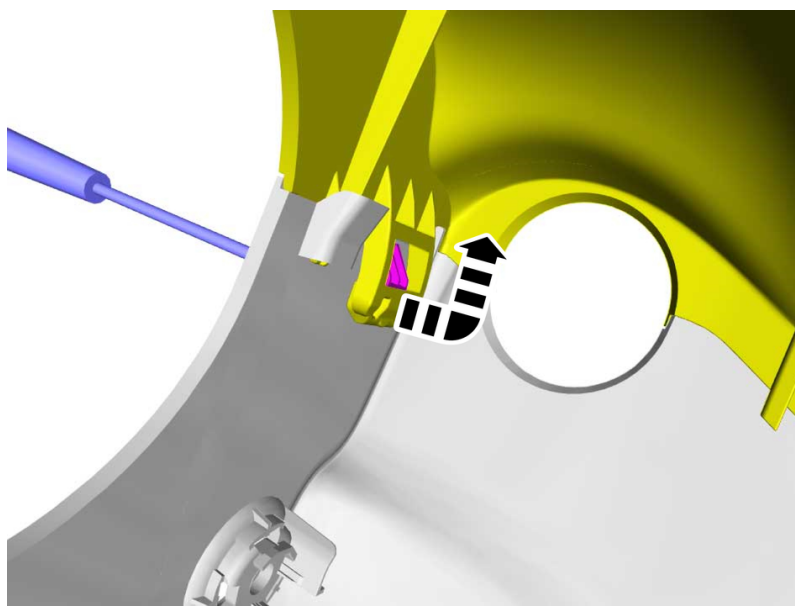


**Note!** The graphic shows the back of the component before removal.

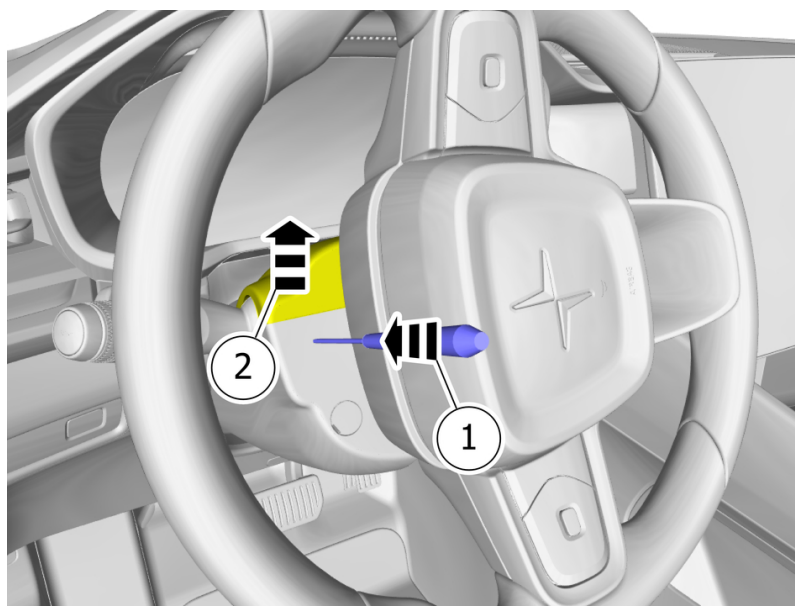


Detach the panel.

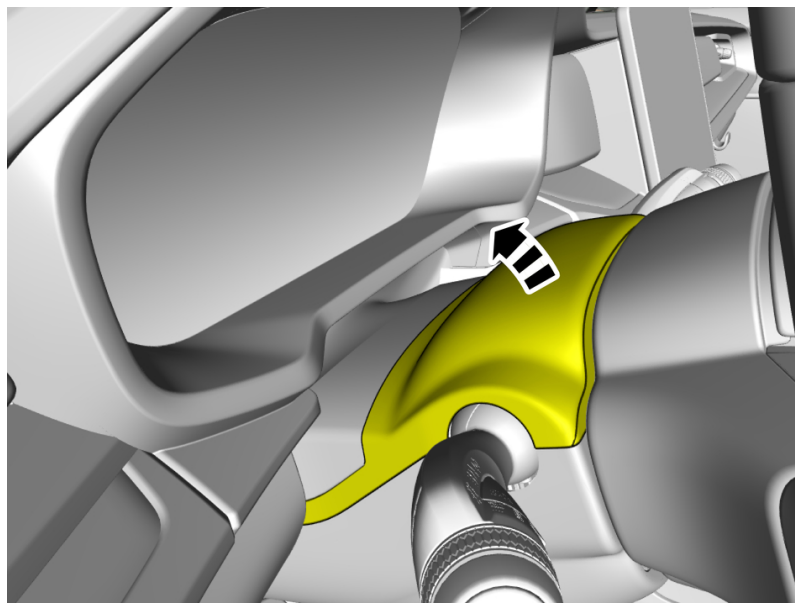




**Note!** The graphic shows the back of the component before removal.

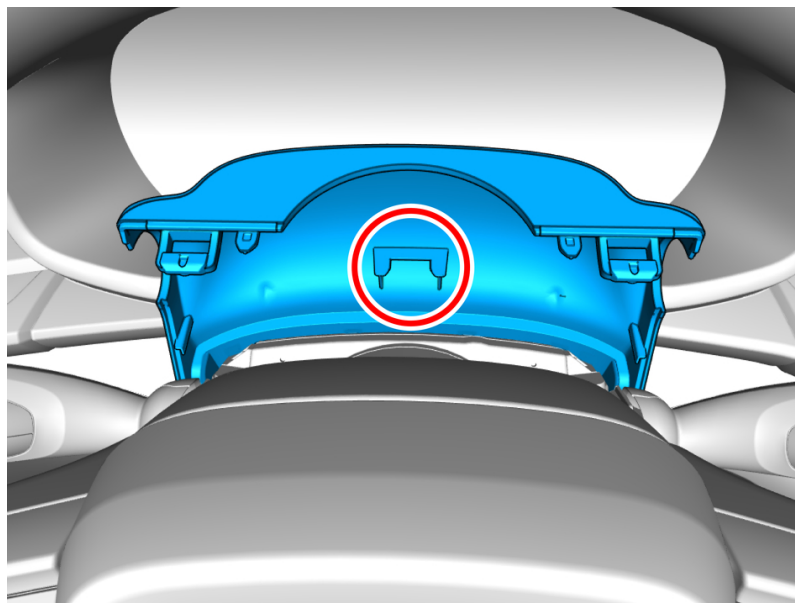


Detach the panel.



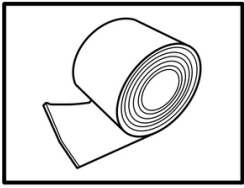
Fold marked part aside.

**Installation**

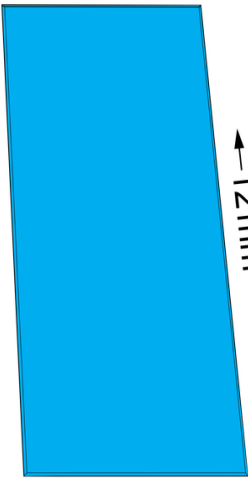
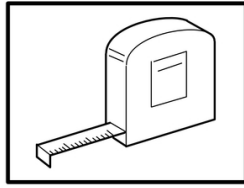


**Note! Orientation view**





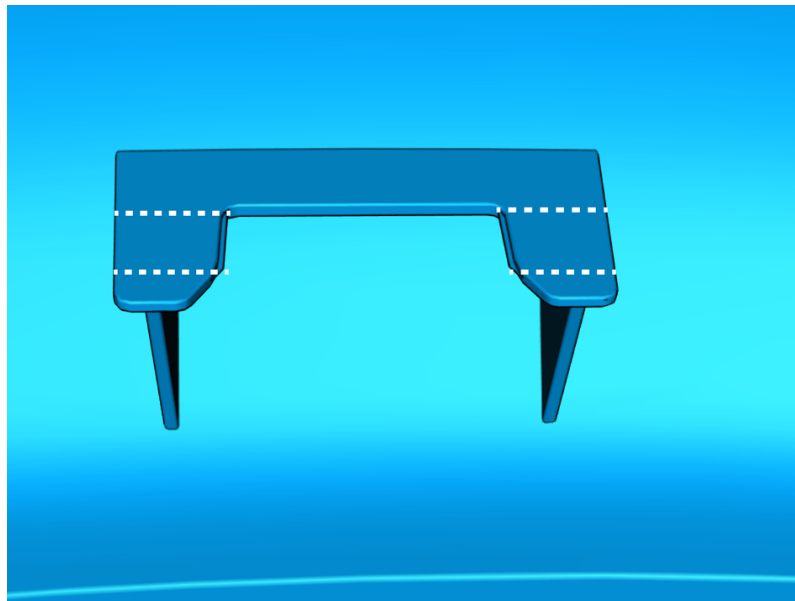
← 8 mm →

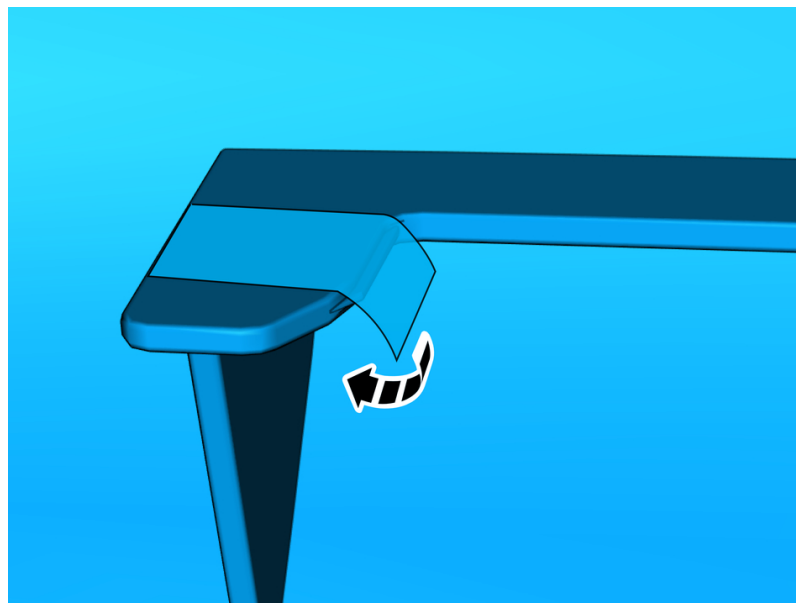


**Use:** Anti-squeak tape , 1161842

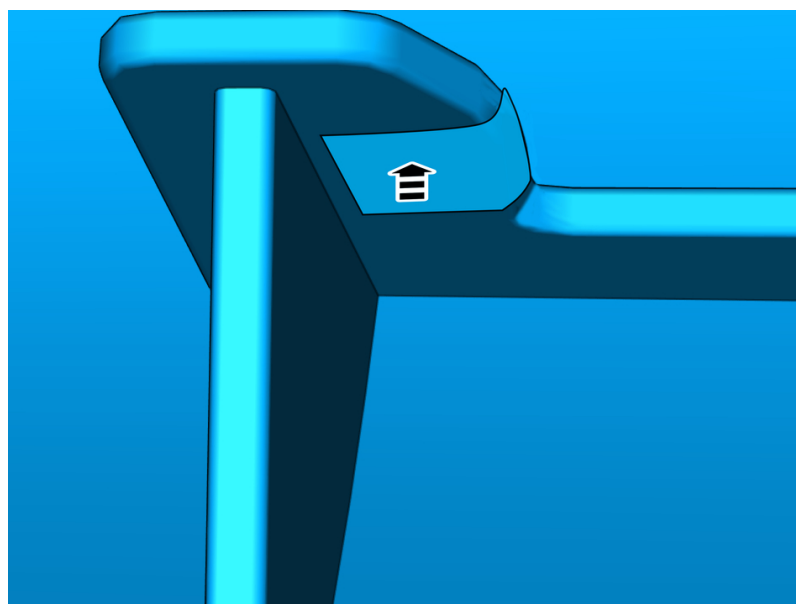
Cut

x2





Apply tape.



**Note! Ensure that the tape is fixed to the surface.**

Repeat on the other side.

### Installation

To install, reverse the removal procedure.