

Workshop Tools & Equipment Bulletin

TITLE:

Models Polestar 2 SPECIAL TOOLS – HV Balancer Adapters

NO: WTE-009P	ISSUE DATE: 2021-01-11	CAR MARKET: United States and Canada	Page 1 of 2
	STATUS DATE: 2021-01-11		

Information and overview regarding adapter

For all special tools in this newsletter valid methods have been developed. To carry out the method in a correct way the special tools are required to be used in terms of quality, safety and time.

Special tool pictures in this newsletter are pictures of prototypes and may not represent what the final, distributed product will look like.

Overview of content:

Art No.	Description	Standard
9513178	Charging cable screw	C2E
9513192	Adapter	C2E
9513164	Adapter LG	C2E

Workshop Tools & Equipment Bulletin 009P

951 3164



VOEVO

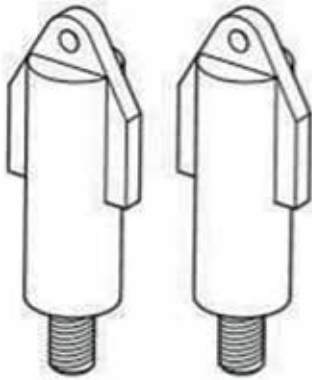
31

9513164 Adapter LG

Adapter cable to be able to connect the HV balancer to the LG battery (BEV)

Material	Plastic and Steel
Length	2 m
Weight (g)	460
Standard	C2E
Country of origin	US
Model	Polestar 2

951 3178



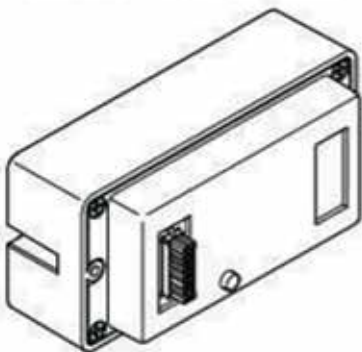
31

9513178 Charging cable screw

Screw to be able to fix the charging cables to the battery (BEV)

Material	Plastic and Steel
Weight (g)	30
Standard	C2E
Country of origin	US
Model	Polestar 2

951 3192



31

9513192 Adapter

Communication unit to be able to connect the adapter cables to the HV balancer

Material	Plastic and Steel
Weight (g)	550
Standard	C2E
Country of origin	US
Model	Polestar 2