

**WLA4 - Retrofitting Heat Shield (Workshop Campaign)**

Revision: This bulletin replaces bulletin Group 1 19/20 WLA4, dated April 30, 2020.

Model Year: **As of 2012 up to 2016**

Vehicle Type: **911 Carrera (991)**

Subject: **Heat shield on rear cross member**

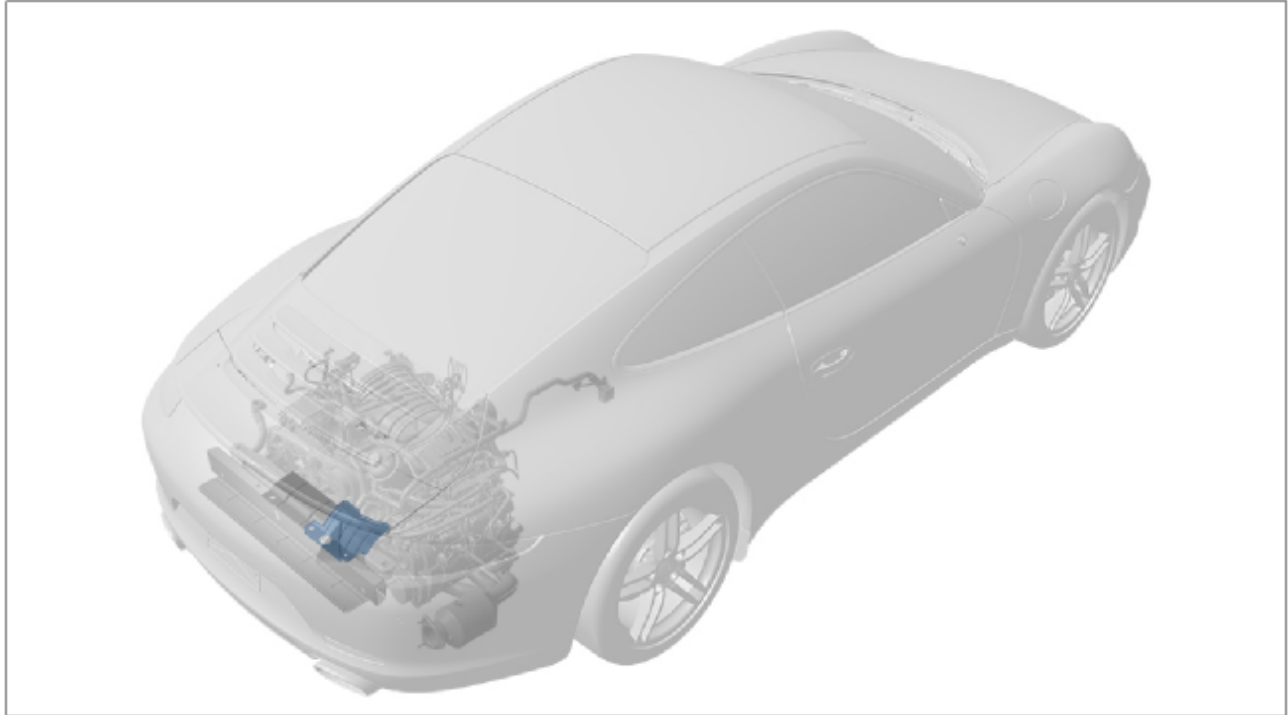
Information: **Foreign bodies, or material that is not part of the engine design or manufacture (e.g. cleaning cloths), in the engine compartment may touch hot exhaust system components, causing a potential fire hazard.**

Analysis of this damage has identified foreign objects or materials (e.g. cleaning cloths) found in the engine compartment as the cause of these incidents. Foreign objects or materials of this kind can touch hot exhaust system components while driving, causing them to ignite.

Remedial Action: Retrofit heat shield on rear cross member in the engine compartment. This shield may help to prevent any foreign objects or materials from touching exhaust-carrying or hot components in the engine compartment.

Affected Vehicles: Only the vehicles assigned to the campaign (see also PCSS Vehicle Information). This campaign affects 41,925 vehicles in North America.

Installation  
Position:



*Installation position of heat shield*

### Required parts and materials

Parts Info:	Part No.	Designation	Qty.
	00004330475	⇒ Heat shield	1 ea.
	00004330477	⇒ Blind rivet	1 ea.

Materials: **Required materials** (usually already available at the Porsche dealer):

- Corrosion protection paint (commercially available)\*

\* For warranty processing, the Part No. **WLA40000001** with the "expendable items" designation can be invoiced as an **additional part** in the warranty claim. Maximum cost: \$0.12.

### Required tools

- Tools:
- **PNA 713 001 5 — Rivet Tool** or commercially available riveting tool for blind rivets with a diameter of at least 4.2 mm (rivet pin)

- Commercially available HSS twist drill with a diameter of 6.5 mm
- 90° countersink tool or triangular scraper
- Battery-operated or hand drill
- Water-resistant pen
- Commercially available body brush
- Center punch

## Preparatory work

Work Procedure: 1 Remove air cleaner housing ⇒ *Workshop Manual '242519 Removing and installing air cleaner housing'*.

## Installing heat shield on rear cross member

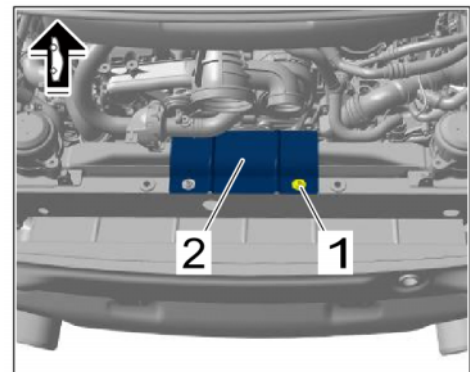


**Airborne metal debris and dust particles produced during grinding, drilling and milling**

- Risk of eye injuries
  - Irritation to respiratory system
- ⇒ **Wear personal protective equipment consisting of protective goggles, breathing mask and protective gloves.**

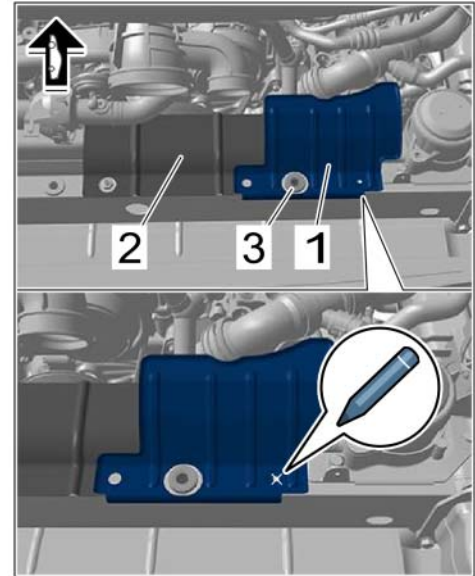
Work Procedure: 1 Prepare for installing the heat shield on the rear cross member.

- 1.1 Unscrew fastening nut ⇒ *Loosening heat protection -1-* on the heat shield ⇒ *Loosening heat protection -2-*.



*Loosening heat protection*

- 1.2 Position heat shield ⇒ *Marking installation position of heat shield -1-* over the heat protection panel ⇒ *Marking installation position of heat shield -2-* as shown and align it using the fastening bolt and rubber sleeve ⇒ *Marking installation position of heat shield -3-*.

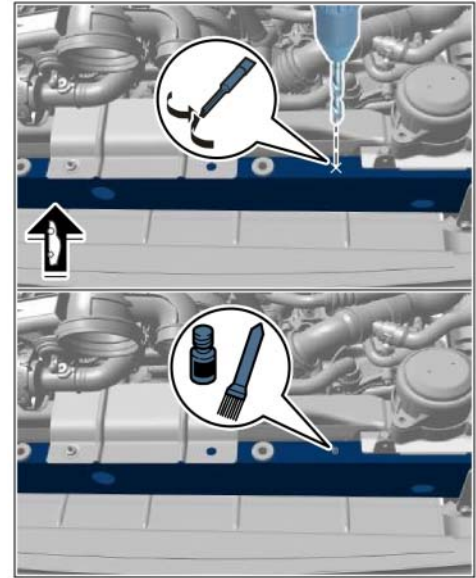


*Marking installation position of heat shield*

Part No.	Designation	Qty.
00004330475	Heat shield	1 ea.

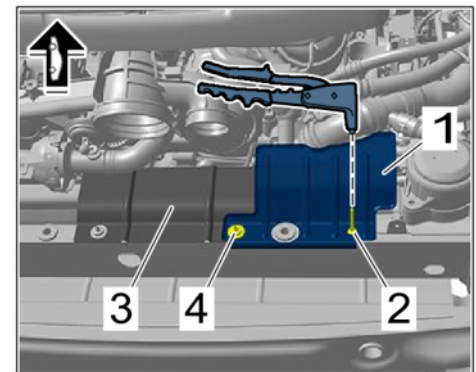
- 1.3 Mark the position of the hole for the blind rivet that will be used later to secure the heat shield to the cross member.  
To do this, mark the position for the hole using a water-resistant pen as shown ⇒ *Marking installation position of heat shield.*

- 1.4 Punch the marking you made on the cross member using a center punch to ensure the drill bit will drill exactly into the previously marked location.
- 1.5 Carefully drill the cross member at the previously marked and punched position using the hand drill and a **twist drill bit with a diameter of 6.5 mm**.  
Be particularly careful not to damage adjacent components while drilling and make sure to remove any drill chips immediately using a vacuum cleaner. Use a suitable base, if necessary, to protect components.
- 1.6 De-burr the hole using a triangular scraper or a 90° tapered countersink.
- 1.7 Apply primer to the surface at the hole that is exposed as a result of drilling.



Drilling cross member

- 2 Secure heat shield on the cross member.
  - 2.1 Position heat shield ⇒ *Securing heat shield -1-* as shown above the hole you made earlier and the heat protection panel ⇒ *Securing heat shield -3-* and secure with the fastening nut ⇒ *Securing heat shield -4-*.
  - 2.2 Insert blind rivet ⇒ *Securing heat shield -2-* into the mouthpiece of the blind riveting tool and install it fully into the hole using the blind riveting tool.



Securing heat shield

Part No.	Designation	Qty.
00004330477	Blind rivet	1 ea.

- 2.3 Hold the blind riveting tool at a right angle to the cross member and press down firmly.
- 2.4 Actuate the blind riveting tool to fix the rivet.

**Concluding work**

- Work Procedure: 1 Install air cleaner housing ⇒ *Workshop Manual '242519 Removing and installing air cleaner housing'*.
- 2 Enter the campaign in the Warranty and Maintenance booklet.

**Warranty processing**

Scope 1:

**Working time:**

Retrofitting heat shield

Labor time: **140 TU**

Includes: Removing and installing rear spoiler  
Removing and installing air cleaner housing

**Parts required:**

00004330475	Heat shield	1 ea.
00004330477	Blind rivet	1 ea.

**Required materials:**

WLA40000001*	Expendable items *	1 ea.* (for warranty invoicing only)
--------------	--------------------	---

\* For warranty processing, enter the Part No. **WLA40000001** with the "expendable items" designation as an **additional part** costing \$0.12 in the warranty claim.

⇒ **Damage Code WLA4 066 000 1**

**Important Notice:** Technical Bulletins issued by Porsche Cars North America, Inc. are intended only for use by professional automotive technicians who have attended Porsche service training courses. They are written to inform those technicians of conditions that may occur on some Porsche vehicles, or to provide information that could assist in the proper servicing of a vehicle. Porsche special tools may be necessary in order to perform certain operations identified in these bulletins. Use of tools and procedures other than those Porsche recommends in these bulletins may be detrimental to the safe operation of your vehicle, and may endanger the people working on it. Properly trained Porsche technicians have the equipment, tools, safety instructions, and know-how to do the job properly and safely. Part numbers listed in these bulletins are for reference only. The work procedures updated electronically in the Porsche PIWIS diagnostic and testing device take precedence and, in the event of a discrepancy, the work procedures in the PIWIS Tester are the ones that must be followed.

© 2021 Porsche Cars North America, Inc.