

JTB00594NAS1

TECHNICAL BULLETIN

22 NOV 2017



© Jaguar Land Rover North America, LLC

NOTE: The information in Technical Bulletins is intended for use by trained, professional Technicians with the knowledge, tools, and equipment required to do the job properly and safely. It informs these Technicians of conditions that may occur on some vehicles, or provides information that could assist in proper vehicle service. The procedures should not be performed by 'do-it-yourselfers'. If you are not a Retailer, do not assume that a condition described affects your vehicle. Contact an authorized Jaguar service facility to determine whether this bulletin applies to a specific vehicle.

INFORMATION**SECTION:**

307-A / -05B: Automatic Transmission/Transaxle External Controls

SUBJECT/CONCERN:

Rattle/Rubbing Noise From The Floor Console/Transmission Tunnel

AFFECTED VEHICLE RANGE:

MODEL:	MODEL YEAR:	VIN:	ASSEMBLY PLANT:	APPLICABILITY:

MODEL:	MODEL YEAR:	VIN:	ASSEMBLY PLANT:	APPLICABILITY:
F-TYPE (X152)	2016-2018	K00001-K53001	Castle Bromwich	V6 S/C 3.0L Petrol /V8 S/C 5.0L Petrol, Vehicles With: 8HP70 8-Speed Automatic Transmission AWD/8HP70 8-Speed Automatic Transmission RWD/8HP45 8-Speed Automatic Transmission RWD

MARKETS:

NORTH AMERICA

CONDITION SUMMARY:

SITUATION:

A rattle/rubbing noise from the floor console/transmission tunnel may be evident.

CAUSE:

This may be caused by the Emergency Park Release (EPR) cable coming into contact with the transmission tunnel heatshield.

ACTION:

Should a customer express this concern, follow the Workshop Procedure below.

PARTS:

PART NUMBER	DESCRIPTION	QUANTITY
T2R25952	Upper EPR Cable	1
T2R25953	Lower EPR Cable	1
T2R25950	Clip	2
T2R4419	Seat bolt	8
JDE32544	Exhaust clamp	2

PART NUMBER	DESCRIPTION	QUANTITY
C2Z13887	Bolt	4
C2Z15150	All Wheel Drive (AWD) Vehicles - Driveshaft Bolt	12

TOOLS:

Refer to Workshop Manual for any required special tools.

WARRANTY:
NOTES:

- Repair procedures are under constant review, and therefore times are subject to change; those quoted here must be taken as guidance only. Always refer to JLR claims submission system to obtain the latest repair time.
- The JLR Claims Submission System requires the use of causal part numbers. Labor only claims must show the causal part number with a quantity of zero.

DESCRIPTION	SRO	TIME (HOURS)	CONDITION CODE	CAUSAL PART
Cable - Emergency Park Release - Modification - All Wheel Drive (AWD)	44.91.50	3.0	07	T2R25953
Cable - Emergency Park Release - Modification - Rear Wheel Drive (RWD)	44.91.50	2.0	07	T2R25953

NOTE:

Normal Warranty procedures apply.

SERVICE INSTRUCTION:

-
- 1 Remove the exhaust system (see TOPIx Workshop Manual section 309-00: Removal and Installation - Exhaust System).
-

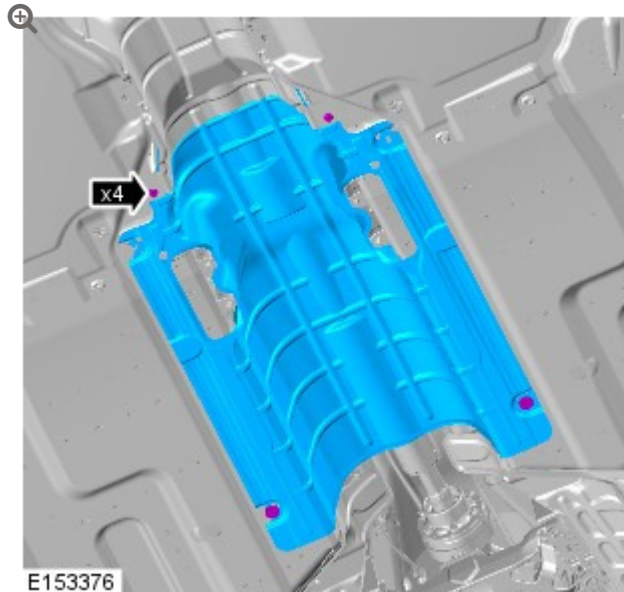
2

NOTE:

All Wheel Drive (AWD) vehicles only.

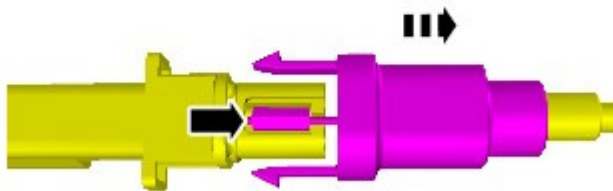
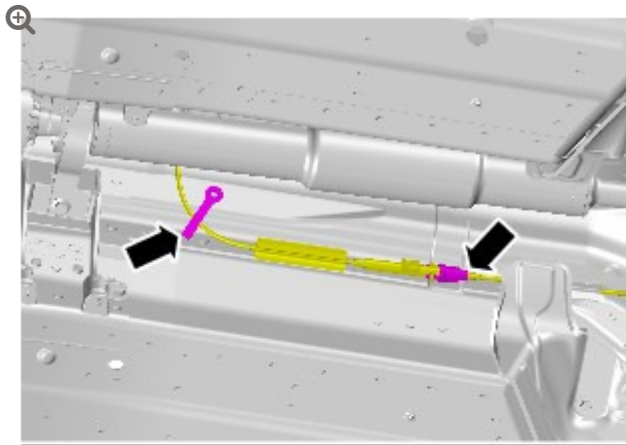
Remove the front driveshaft (see TOPIx Workshop Manual section 205-01: Removal and Installation - Front Driveshaft).

3



Remove the exhaust heatshield.

4



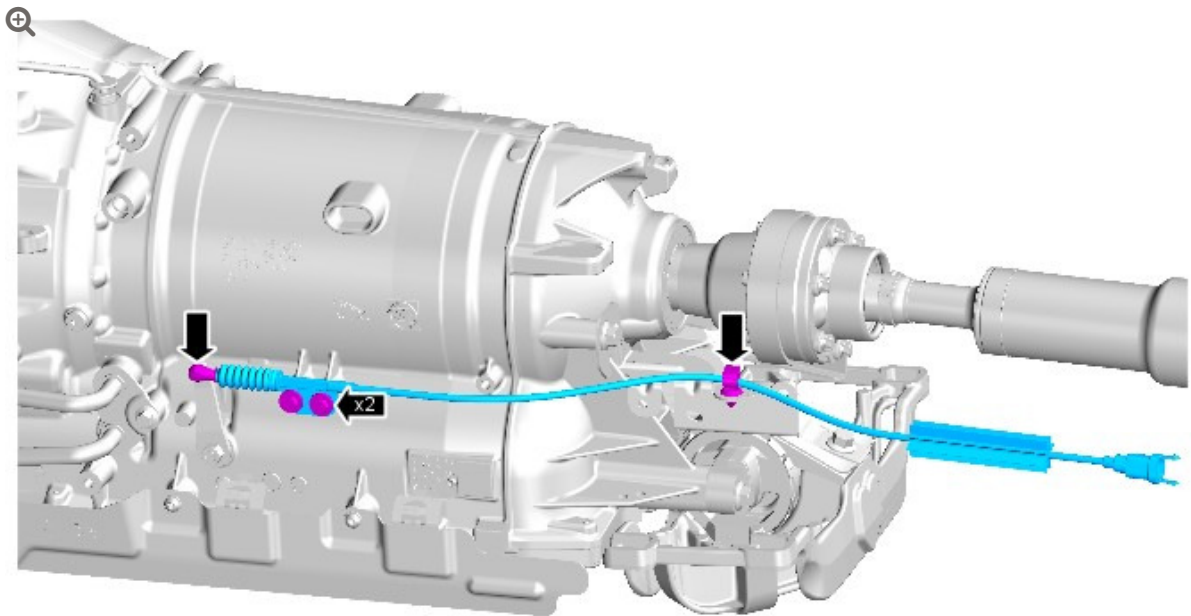
E153375

Release the upper Emergency Park Release (EPR) cable from the lower EPR cable.

5

NOTE:

Rear Wheel Drive (RWD) shown; All Wheel Drive (AWD) similar.

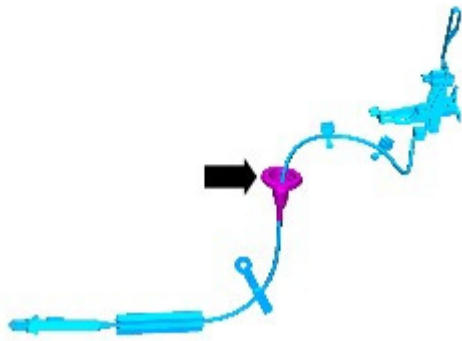
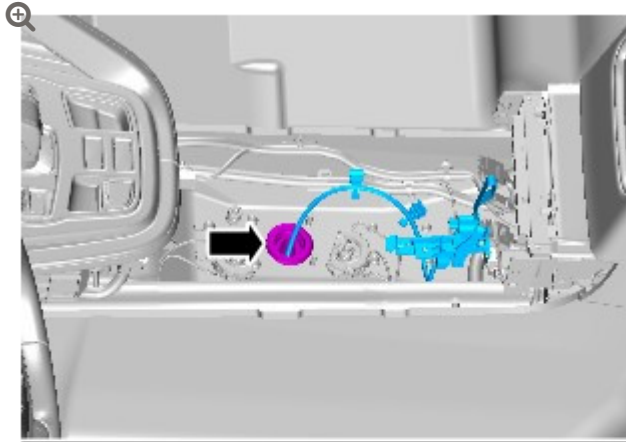


E153411

Remove the lower EPR cable.

-
- 6 Lower the vehicle.
-
- 7 Remove the floor console (see TOPIX Workshop Manual section 501-12: Removal and Installation - Floor Console).
-

8



E152892

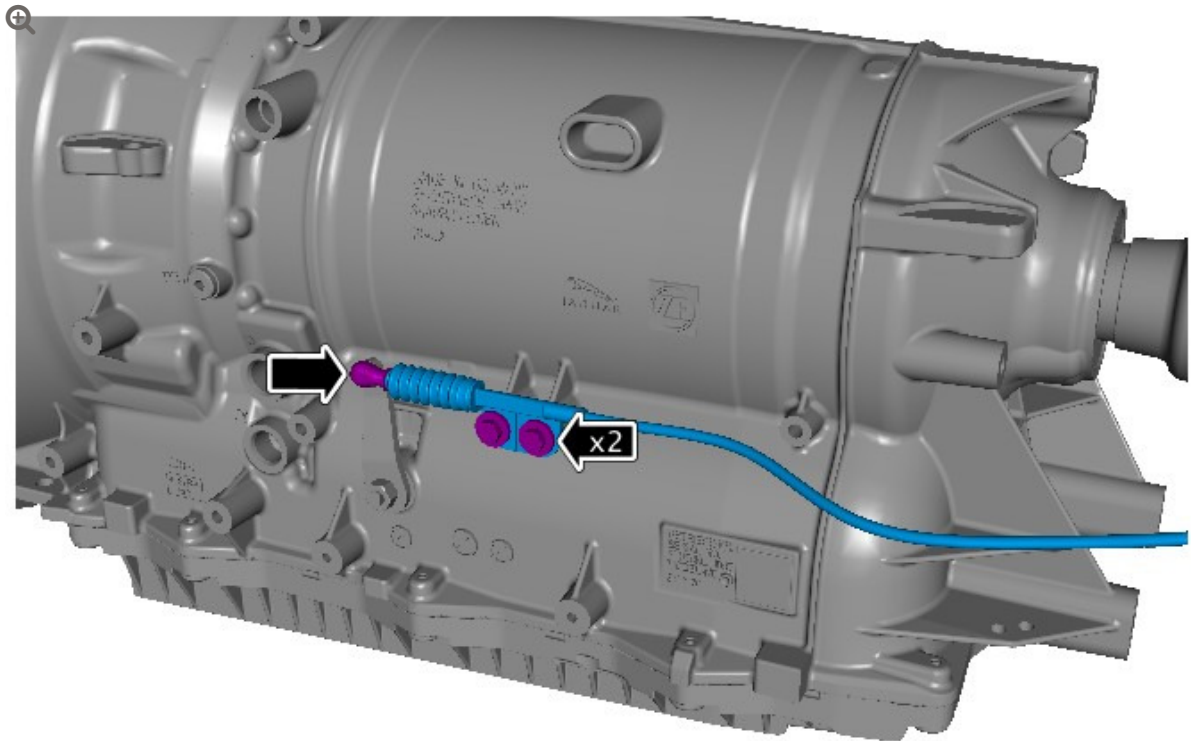
Replace the upper EPR cable.

9 Raise the vehicle.

10

NOTE:

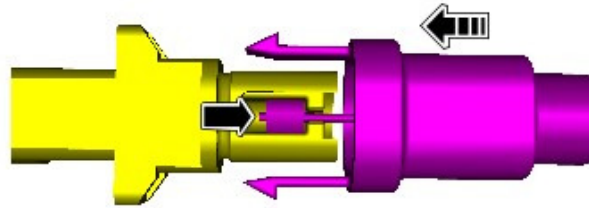
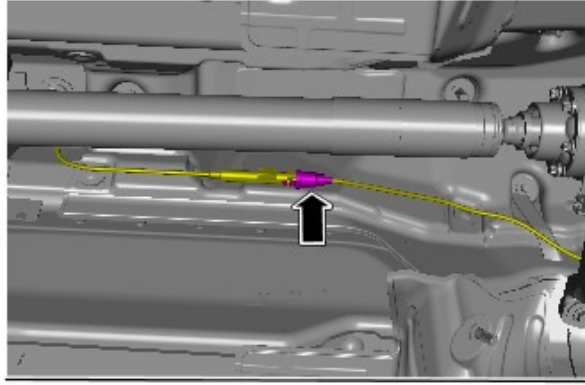
Rear Wheel Drive (RWD) shown; All Wheel Drive (AWD) similar.



E214641

Install the new lower EPR cable.

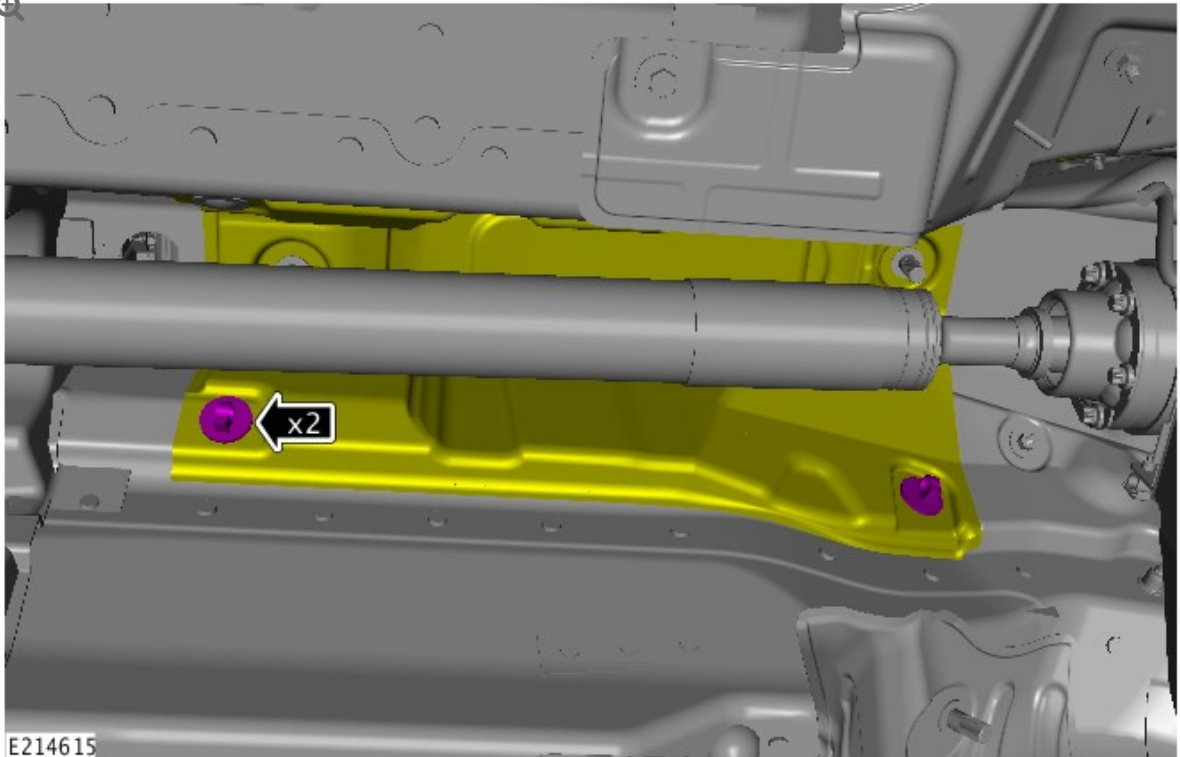
- Torque: **11 Nm**.



E214642

Connect the upper and lower EPR cables together.

12

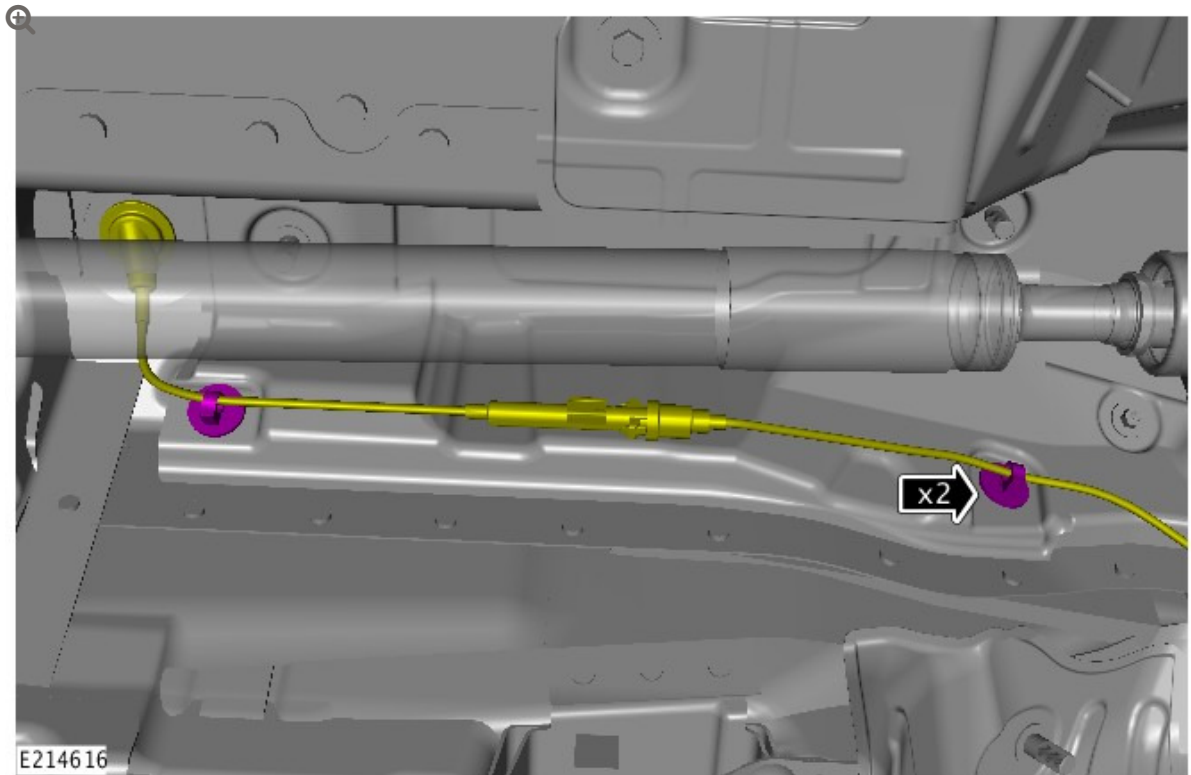


E214615

Remove and discard the 2 transmission tunnel Noise, Vibration and Harshness (NVH) material clips.

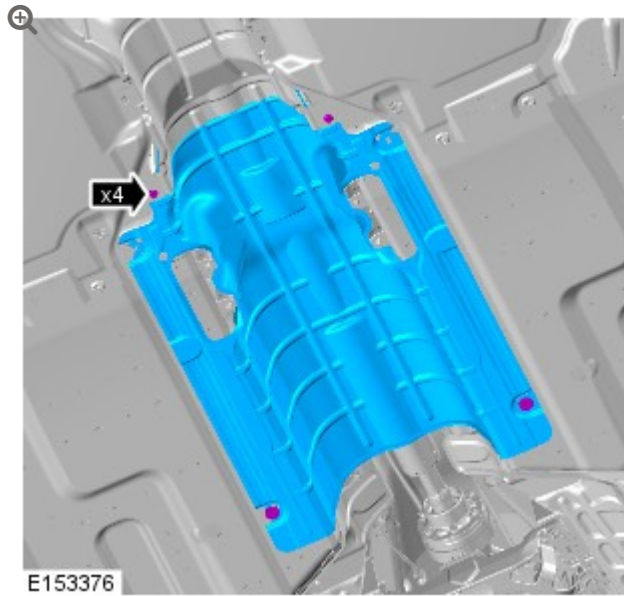
- 1 Install 2 new clips (T2R25950).

13



Install the lower EPR cable into the 2 clips.

14



Install the exhaust heatshield.

- Torque: **10 Nm**.

15

NOTE:

All Wheel Drive (AWD) vehicles only.

Install the front driveshaft (see TOPIx Workshop Manual section 205-01: Removal and Installation - Front Driveshaft).

-
- 16 Install the exhaust system (see TOPIx Workshop Manual section 309-00A: Removal and Installation - Exhaust System).

-
- 17 Install the floor console (see TOPIx Workshop Manual section 501-12: Removal and Installation - Floor Console).