

Complaint - Cracks in the Clamping Plate at Front of Roof Transport System: Replace Clamping Plates (07/21)

Model Line: **Macan (95B)**

Model Year: **As of 2014 up to 2020**

Equipment: **Roof rails, silver, plus cross members (I-no. 5W1)
Roof rails, black, plus cross members (I-no. 5W4)**

Concerns: **Roof transport system**

Information: A creaking noise may be audible when mounting the front carrier of the roof transport system. Cracks are found in either one or both clamping plates of the front carrier. These can occur due to a material fault following mounting or only after a prolonged time. Corrosion, frequent use and heavy loading of the roof transport system can promote the damage.

Action required: In the event of a complaint, always **replace both clamping plates** with a repair set.

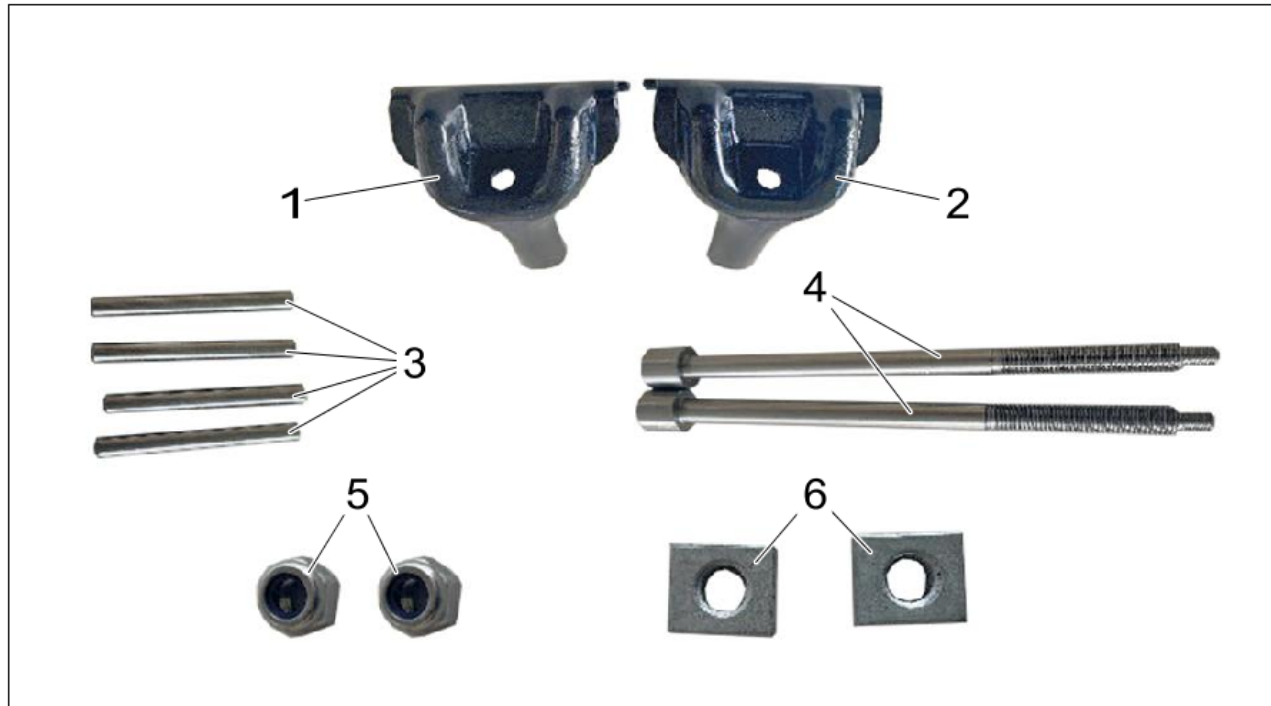
Problem:



Cracks in clamping plate

Required parts, materials and tools

Parts Info:	Part No. 95B04480250	Designation ⇒ Repair set	Qty. 1 ea.
-------------	--------------------------------	------------------------------------	----------------------

*Overview of repair set*

- 1 – Clamping plate, front left (component is marked VL!) (1 ea.)
- 2 – Clamping plate, front right (component is marked VR!) (1 ea.)
- 3 – Pin (4 ea.)
- 4 – Bolt (2 ea.)
- 5 – Nut (2 ea.)
- 6 – Square nut (2 ea.)

**Information**

Check that the repair set is complete before starting repairs.

Materials: **Required materials** (usually already available at the Porsche dealer):

Part No.	Designation	Qty.
	– Use	
00004330509	⇒ Lubricant - Krytox GPL 205	57 g/ 2 oz tube ¹⁾
	– Screws	

¹⁾ approx. 5 grams/ 0.17 oz required per vehicle.

- Tools:
- Pencil
 - Slotted screwdriver, (length approx. 15 cm/ 6 in)
 - Universal pliers
 - External hexagon socket-wrench insert, a/f 7
 - T shaped hexagon socket wrench, a/f 5
 - Plastic hammer

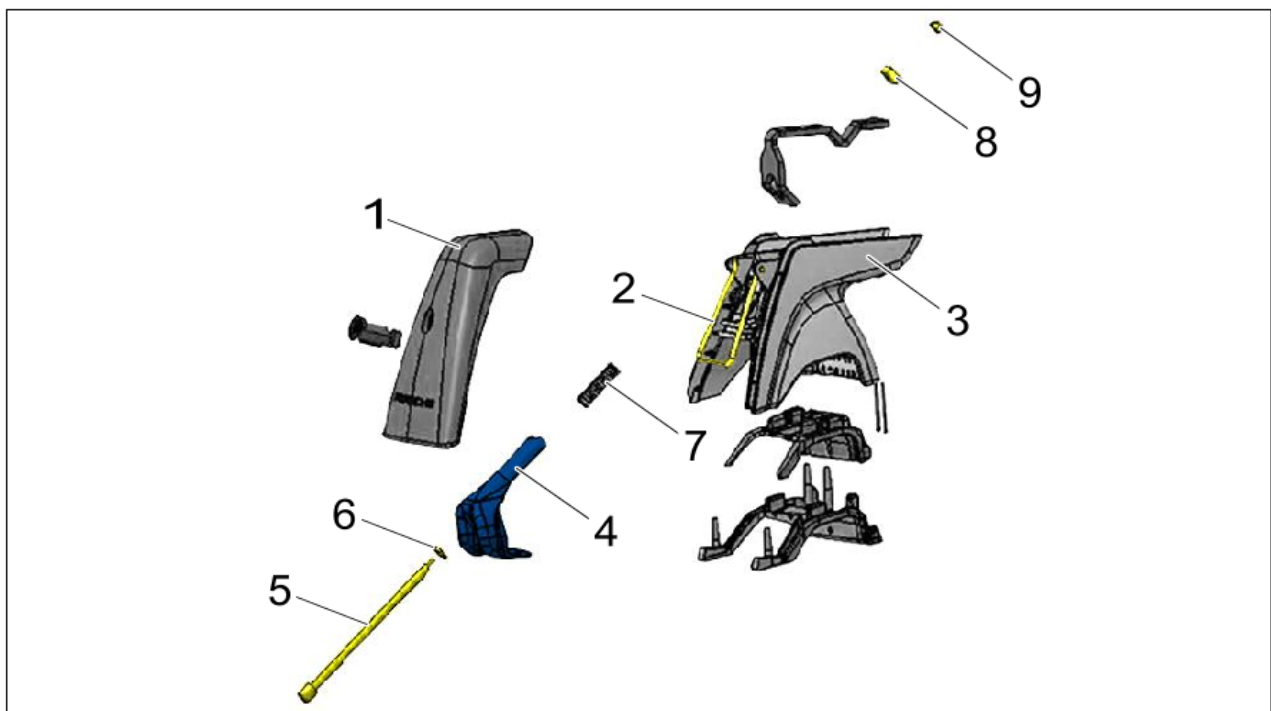
Preparatory work

Work Procedure: 1 **Only required if the roof transport system is still mounted on the vehicle:**

Remove the roof transport system, see Owner's Manual, section on: 'Roof transport system'.

Replacing roof transport system front clamping plates

Component overview



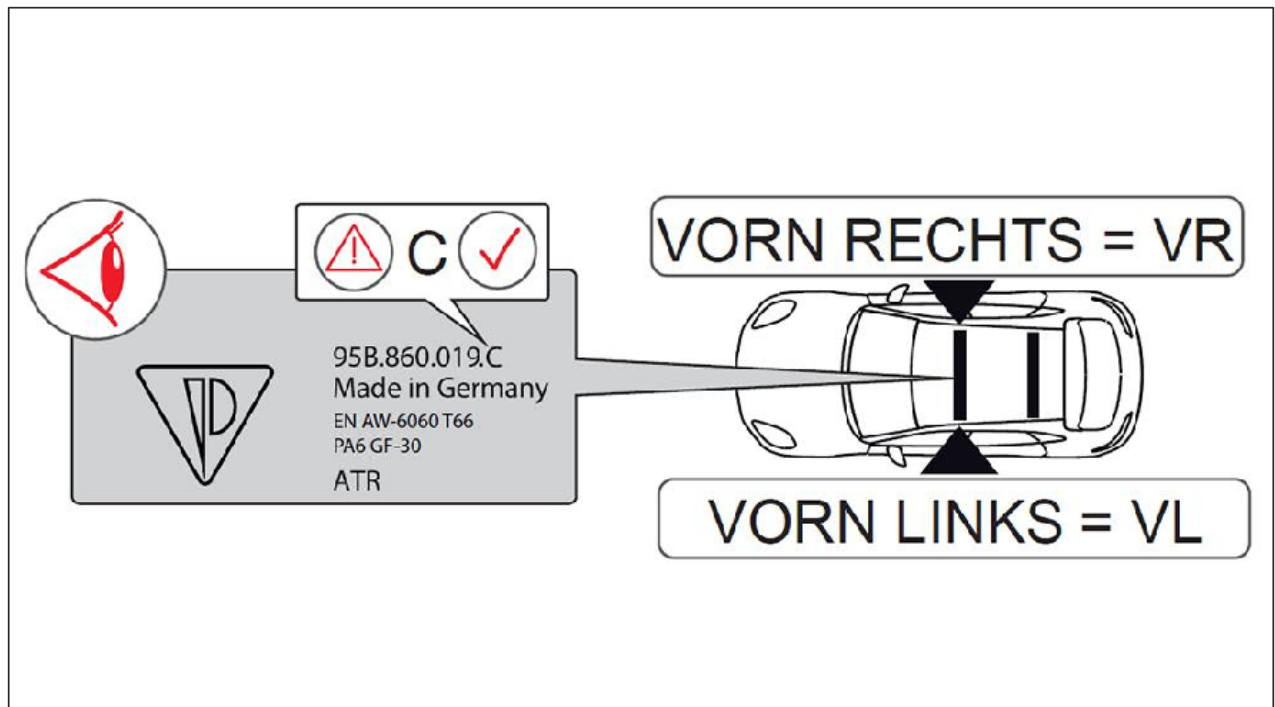
Overview of support leg

- 1 – Cover (re-use)
- 2 – Wire clip (re-use)
- 3 – Support leg (re-use)
- 4 – Clamping plate (replace)
- 5 – Screw (replace)

- 6 – Washer (re-use)
- 7 – Spring (re-use)
- 8 – Square nut (replace)
- 9 – Nut (replace)

**Information**

Only the clamping plates on the **front** carrier are replaced. Ensure that the part number is correct.



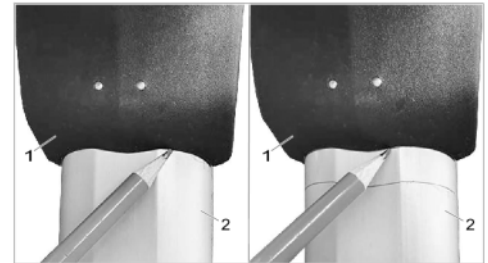
Roof transport system

**Information**

The procedure for removing and installing is described for one side as an example. The procedure for the other side is practically identical.

Work Procedure: 1 Mark installation position of support leg on cross member ⇒ *Markings on front carrier -1-*.

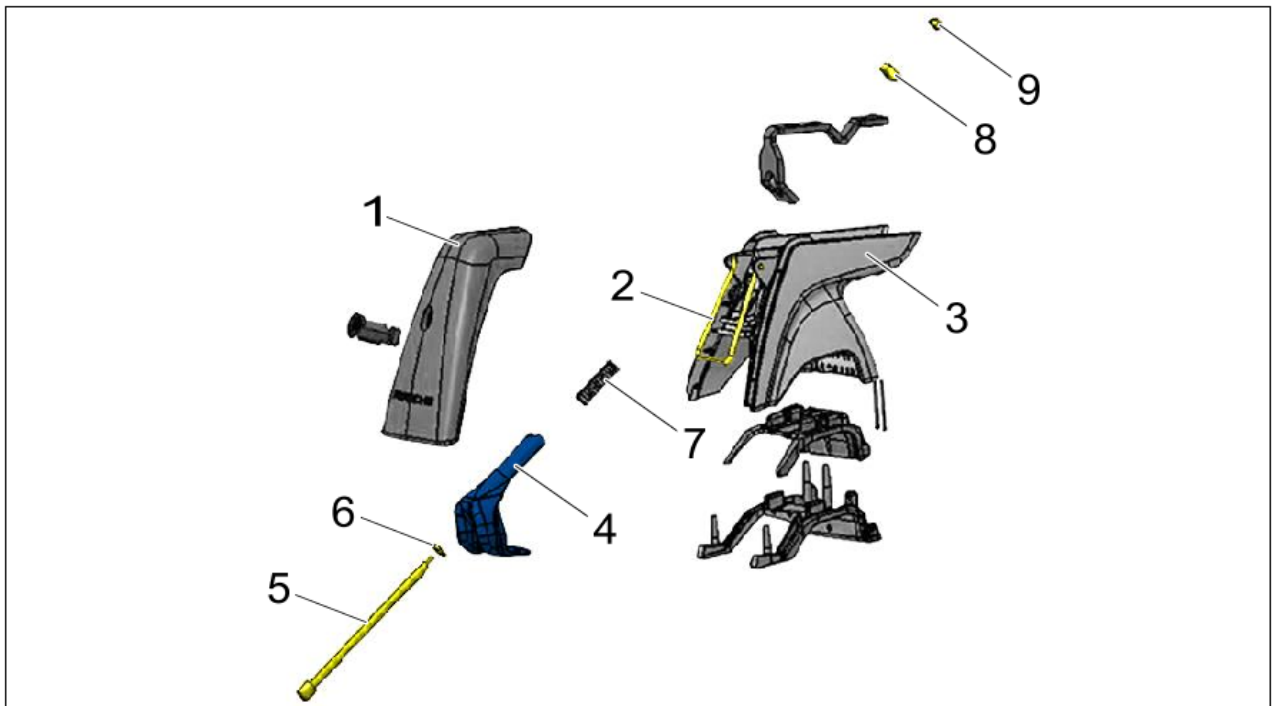
1.1 Push the support leg ⇒ *Markings on front carrier -1-inwards* as far as it will go on the carrier and make a mark on the front carrier ⇒ *Markings on front carrier -2-* using a pencil.



Markings on front carrier

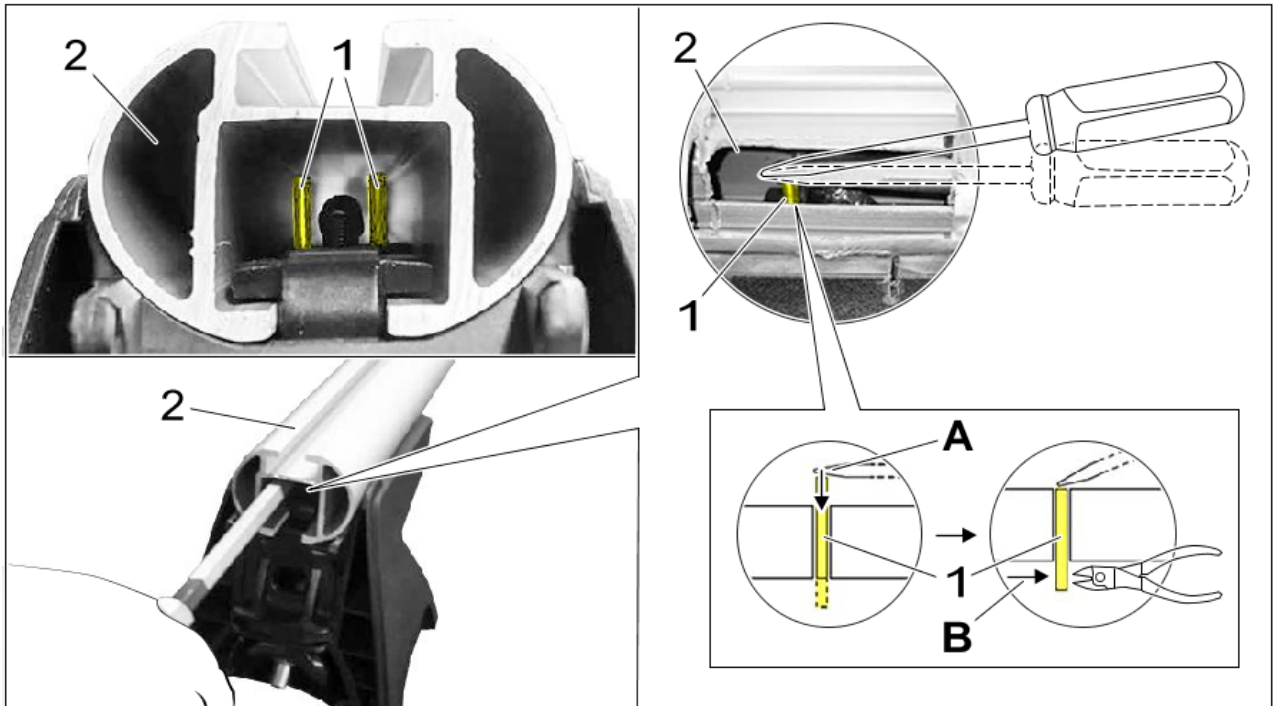
1.2 Push the support leg ⇒ *Markings on front carrier -1-outwards* as far as it will go on the carrier and make a mark on the front carrier ⇒ *Markings on front carrier -2-* using a pencil.

2 Unclip the cover ⇒ *Overview of support leg -1-* together with the wire clip ⇒ *Overview of support leg -2-* from the support leg ⇒ *Overview of support leg -3-*.



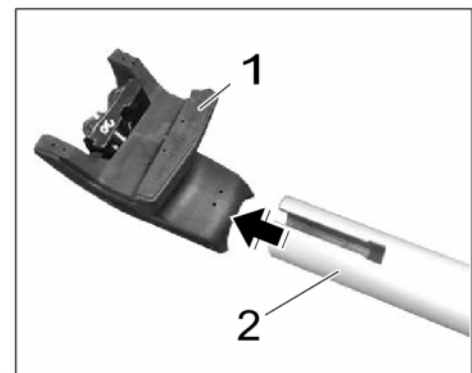
Overview of support leg

3 Remove the pins ⇒ *Pins -1-*.



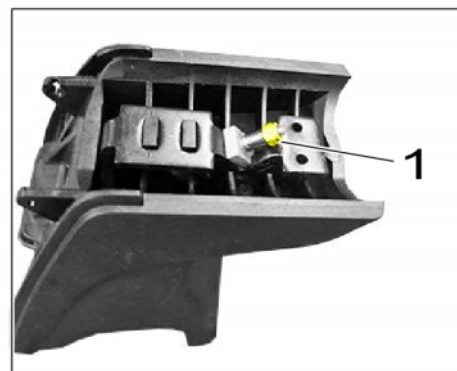
Pins

- 3.1 Push the pins \Rightarrow *Pins -1-* downwards \Rightarrow *Pins -arrow A-* out of the front carrier \Rightarrow *Pins -2-* using a slotted screwdriver.
- 3.2 Pull the pins \Rightarrow *Pins -1-* completely out of the front carrier \Rightarrow *Pins -2-* using pliers \Rightarrow *Pins -arrow B-*.
- 4 Remove the support leg \Rightarrow *Support leg -1-* from the front carrier \Rightarrow *Support leg -2-*.

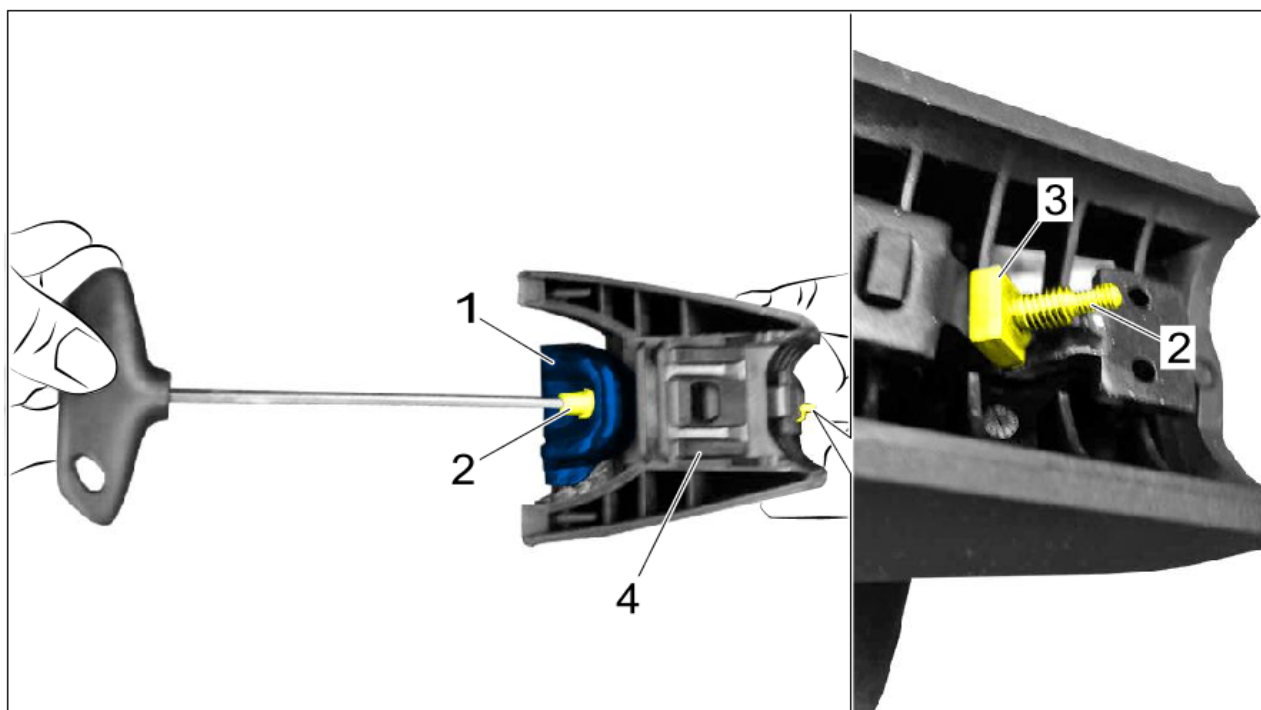


Support leg

- 5 Remove and dispose of the nuts ⇒ *Nut-1-*.
- 6 Remove the clamping plate ⇒ *Clamping plate to support leg-1-*.



Nut



Clamping plate to support leg

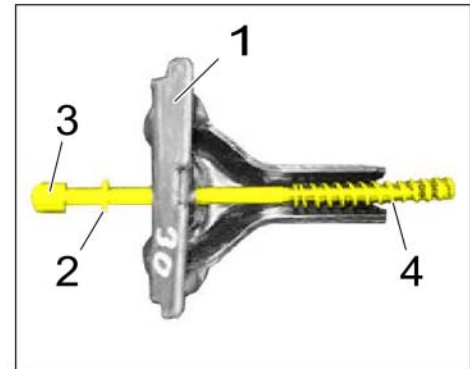
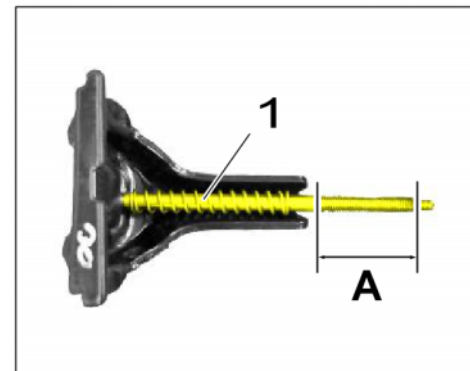
- 6.1 Unscrew the screw ⇒ *Clamping plate to support leg-2-* and remove from the support leg together with the clamping plate ⇒ *Clamping plate to support leg-1-*.
- 6.2 Dispose of the square nut ⇒ *Clamping plate to support leg-3-*.
- 6.3 Dispose of the clamping plate ⇒ *Clamping plate to support leg-1-* and screw ⇒ *Clamping plate to support leg-2-*.

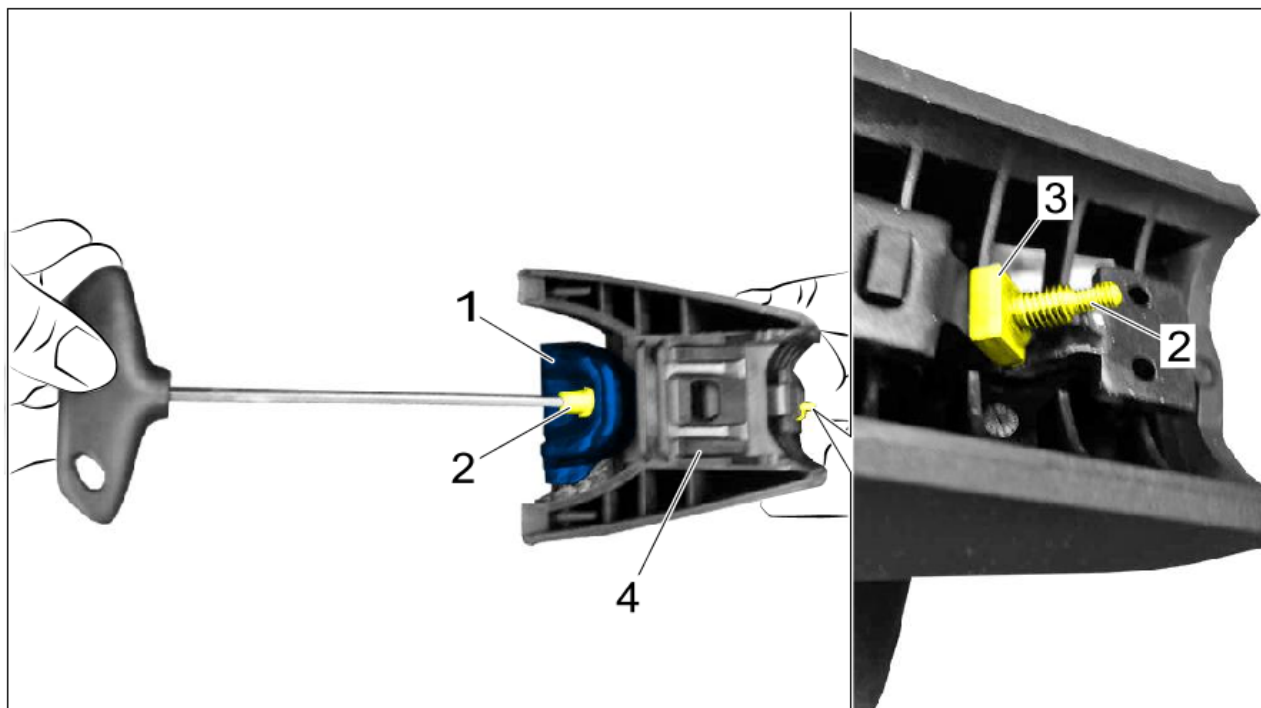


Information

The washer and spring must be re-used.

- 7 **Prepare the new clamping plate** ⇒ *Clamping plate -1-* for installation.
- 7.1 Clean the washer ⇒ *Clamping plate -2-* and install it onto the **new screw** ⇒ *Clamping plate -3-*.
- 7.2 Install the clamping plate ⇒ *Clamping plate -1-* onto the screw ⇒ *Clamping plate -3-*.
- 7.3 Install the spring ⇒ *Clamping plate -4-* onto the screw ⇒ *Clamping plate -3-*.
- 8 Grease the screw ⇒ *Screw -1-* in area ⇒ *Screw* with **lubricant - Krytox GPL 205 (Part No. 00004330509)**.
- 9 Install the clamping plate ⇒ *Clamping plate to support leg -1-*.

*Clamping plate**Screw*



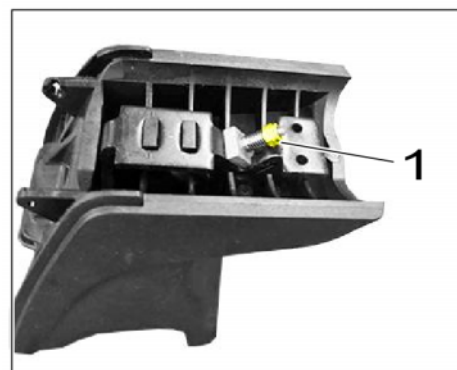
Clamping plate to support leg

- 9.1 Clamping plate ⇒ *Clamping plate to support leg -1-* Install the clamping plate ⇒ *Clamping plate to support leg -2-* with the screw onto the support leg ⇒ *Clamping plate to support leg -4-*.
- 9.2 **Install the new square nut** ⇒ *Clamping plate to support leg -3-* and screw in the screw ⇒ *Clamping plate to support leg -2-*.
- 10 **Install and tighten the new nut** ⇒ *Nut -1-*.
- 11 Install the support leg ⇒ *Support leg to front carrier -1-* onto the front carrier ⇒ *Support leg to front carrier -2-* and push it on.

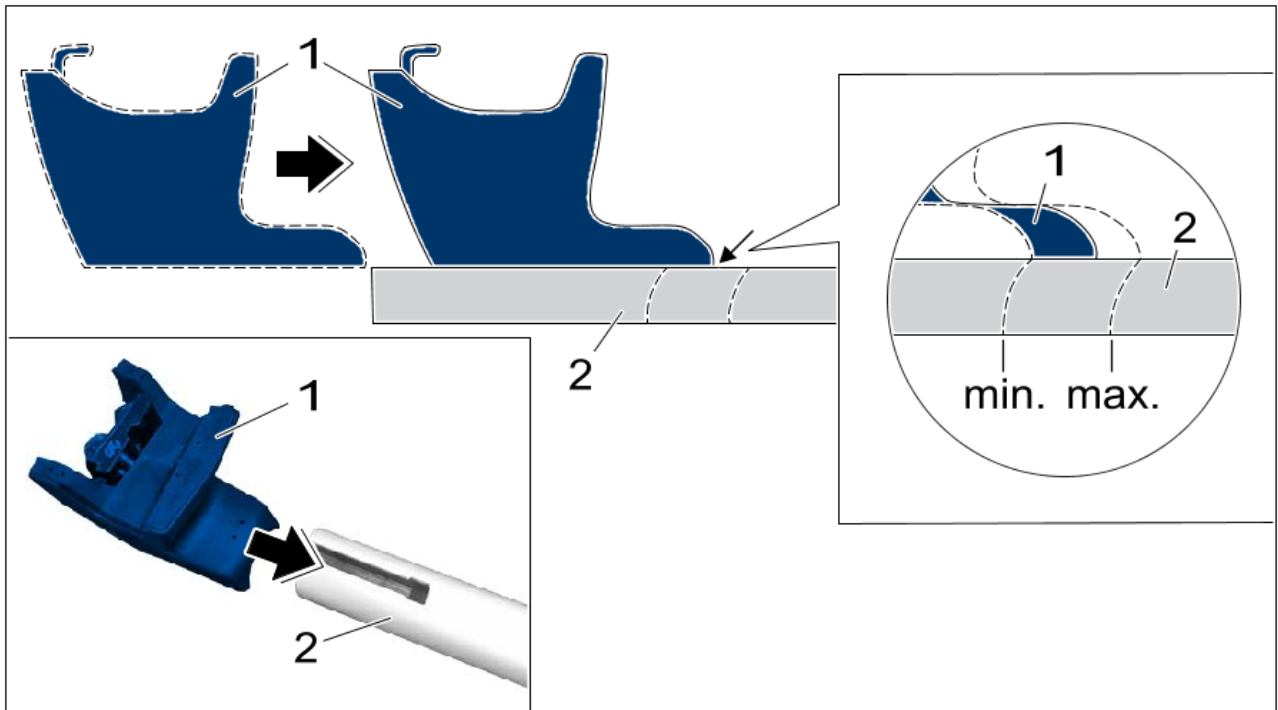


Information

The front edge of the support leg must be located between the two previously applied markings.

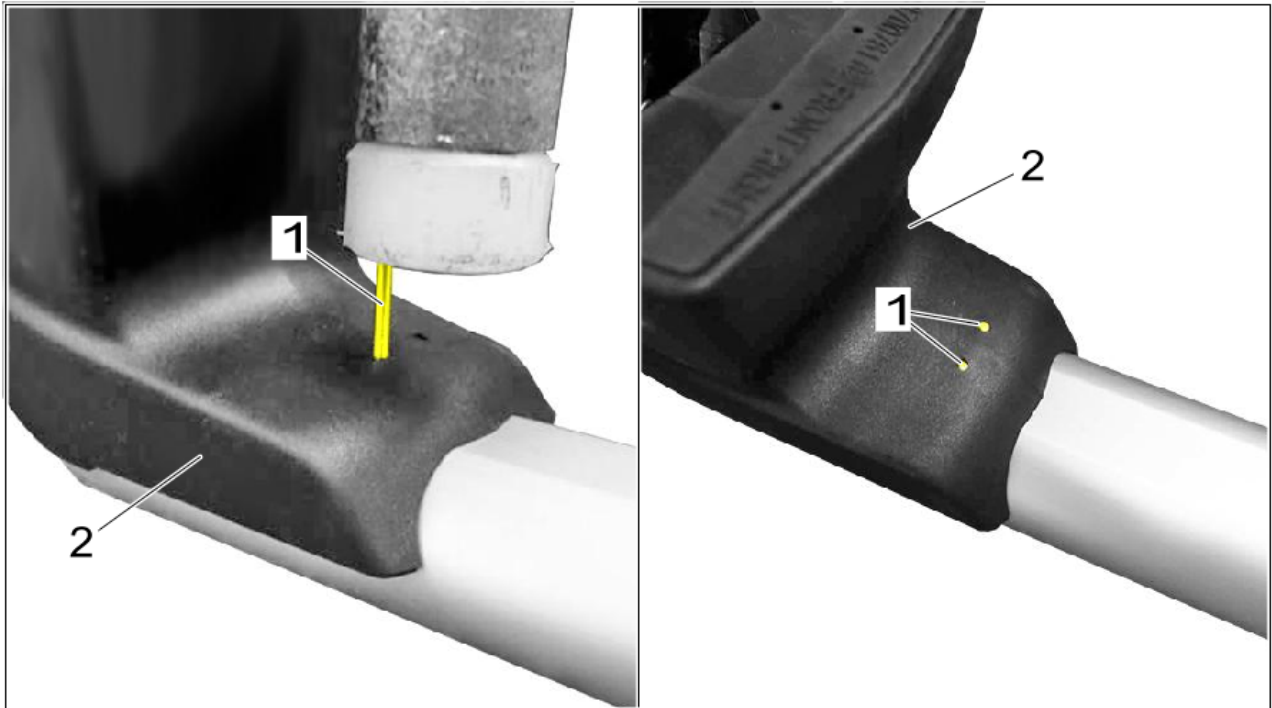


Nut



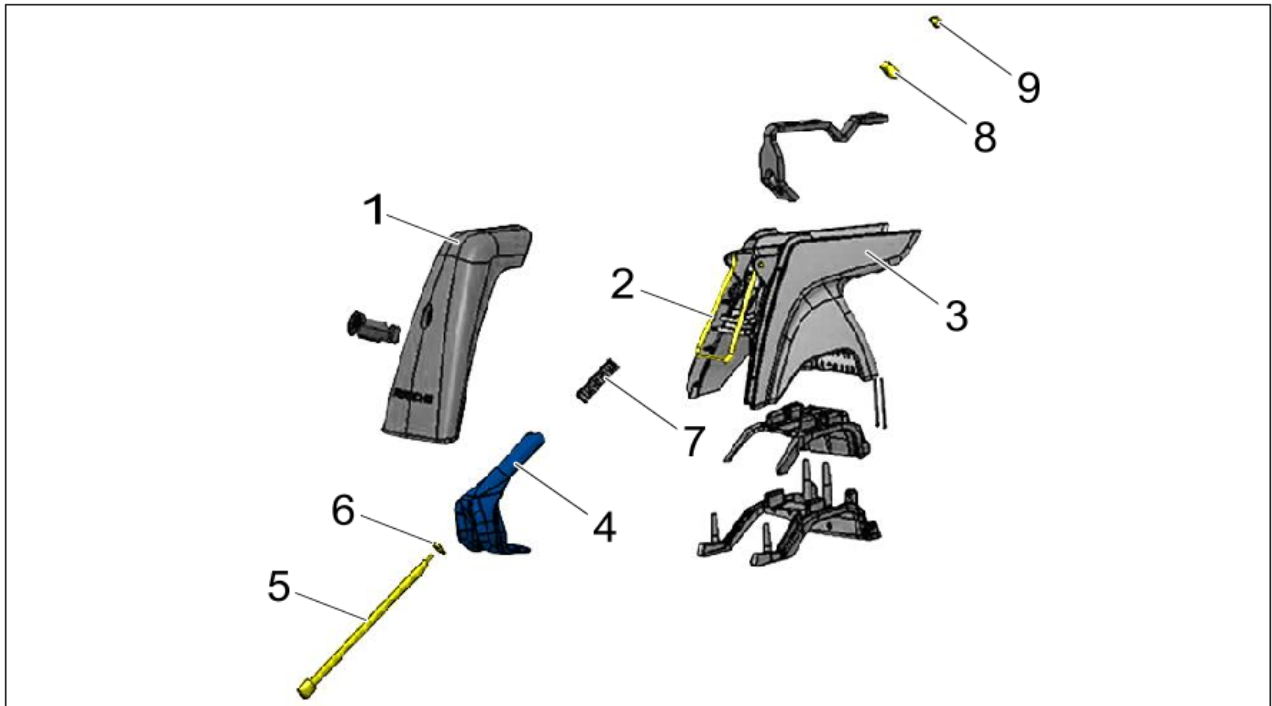
Support leg to front carrier

12 Insert new pins ⇒ Pins-1-.



Pins

- 12.1 Install the pins ⇒ *Pins -1-* at the support leg ⇒ *Pins -2-*.
- 12.2 Drive in the pins ⇒ *Pins -1-* as far as they will go into the support leg ⇒ *Pins -2-* using a plastic hammer.
- 13 Remove the markings using a suitable cleaning agent.
- 14 Clip the cover ⇒ *Support leg -1-* together with the wire clip ⇒ *Support leg -2-* into the support leg ⇒ *Support leg -3-*.

*Support leg***Concluding work**

Work Procedure: 1 Mount the roof transport system, see Owner's Manual, section on: 'Roof transport system'

Invoicing

For documentation and warranty invoicing, create a PRMS ticket with the following data after completing the repair:

- Key word "Subsequent work, Macan roof carrier system"
- Vehicle identification number (VIN)
- Photos of the defective clamping plate

APOS	Labor operation	I No.
66924940	Reworking roof transport system	

PQIS coding:

Location (FES5)	66920	Roof transport system
Damage type (SA4)	1500	cracked/broken

Parts Info:	Part No.	Designation	Qty.
	95B04480250	Repair set	1 ea.
	00004330509	Lubricant	approx. 5 grams/ 0.17 oz

References: Owner's Manual, section on: 'Roof transport system'

Important Notice: Technical Bulletins issued by Porsche Cars North America, Inc. are intended only for use by professional automotive technicians who have attended Porsche service training courses. They are written to inform those technicians of conditions that may occur on some Porsche vehicles, or to provide information that could assist in the proper servicing of a vehicle. Porsche special tools may be necessary in order to perform certain operations identified in these bulletins. Use of tools and procedures other than those Porsche recommends in these bulletins may be detrimental to the safe operation of your vehicle, and may endanger the people working on it. Properly trained Porsche technicians have the equipment, tools, safety instructions, and know-how to do the job properly and safely. Part numbers listed in these bulletins are for reference only. The work procedures updated electronically in the Porsche PIWIS diagnostic and testing device take precedence and, in the event of a discrepancy, the work procedures in the PIWIS Tester are the ones that must be followed.

© 2021 Porsche Cars North America, Inc.