

JLRTB02074NAS1  
**TECHNICAL BULLETIN**  
01 MAR 2021



© Jaguar Land Rover North America, LLC

NOTE: The information in Technical Bulletins is intended for use by trained, professional Technicians with the knowledge, tools, and equipment required to do the job properly and safely. It informs these Technicians of conditions that may occur on some vehicles, or provides information that could assist in proper vehicle service. The procedures should not be performed by 'do-it-yourselfers'. If you are not a Retailer, do not assume that a condition described affects your vehicle. Contact an authorized Land Rover service facility to determine whether this bulletin applies to a specific vehicle.

INFORMATION

---

SECTION:

501-19

---

SUBJECT/CONCERN:

Front Bumper Towing Eye Cover - Modification

---

AFFECTED VEHICLE RANGE:

MODEL:	MODEL YEAR:	VIN:	ASSEMBLY PLANT:
F-PACE (X761)	2021	663013-670434	Solihull

---

MARKETS:

NORTH AMERICA

---

CONDITION SUMMARY:

**SITUATION:**

On vehicles with the 'Black Pack' trim option installed, a technician may have difficulty installing the front bumper towing eye cover during completion of the Pre-Delivery Inspection (PDI).

**CAUSE:**

The towing eye cover has been manufactured away from the required specification. .

**ACTION:**

Follow the instructions below.

**WARRANTY:****NOTES:**

- Repair procedures are under constant review, and therefore times are subject to change; those quoted here must be taken as guidance only. Use TOPIx to obtain the latest repair time.
- The JLR claims submission system requires the use of causal part numbers. Labor only claims must show the causal part number with a quantity of zero.

DESCRIPTION	SRO	TIME (HOURS)	CONDITION CODE	CAUSAL PART
JLRTB - Front towing eye cover - Modification	99.01.52	0.3	FJ	T4A39063LML

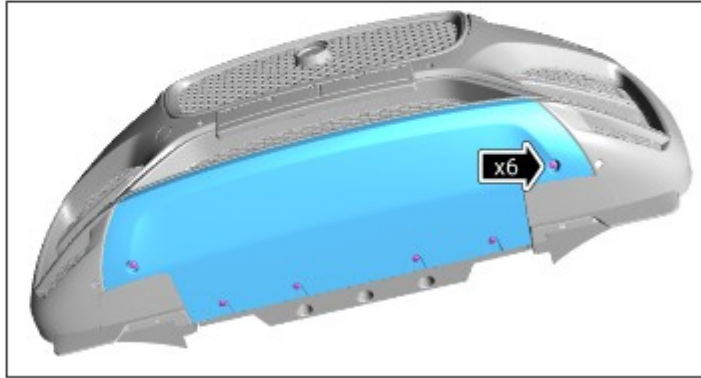
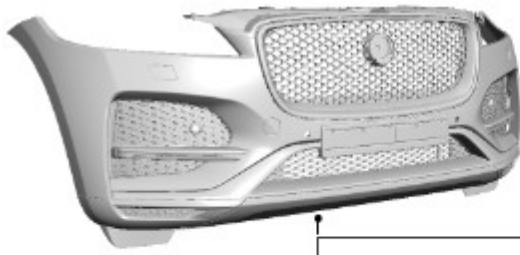
**NOTE:**

Normal Warranty procedures apply.

**SERVICE INSTRUCTION:**

1. Raise and support the vehicle using a suitable 2-post lift, (see TOPIx workshop manual section 100-02: Description and Operation - Lifting).

2.



E279997

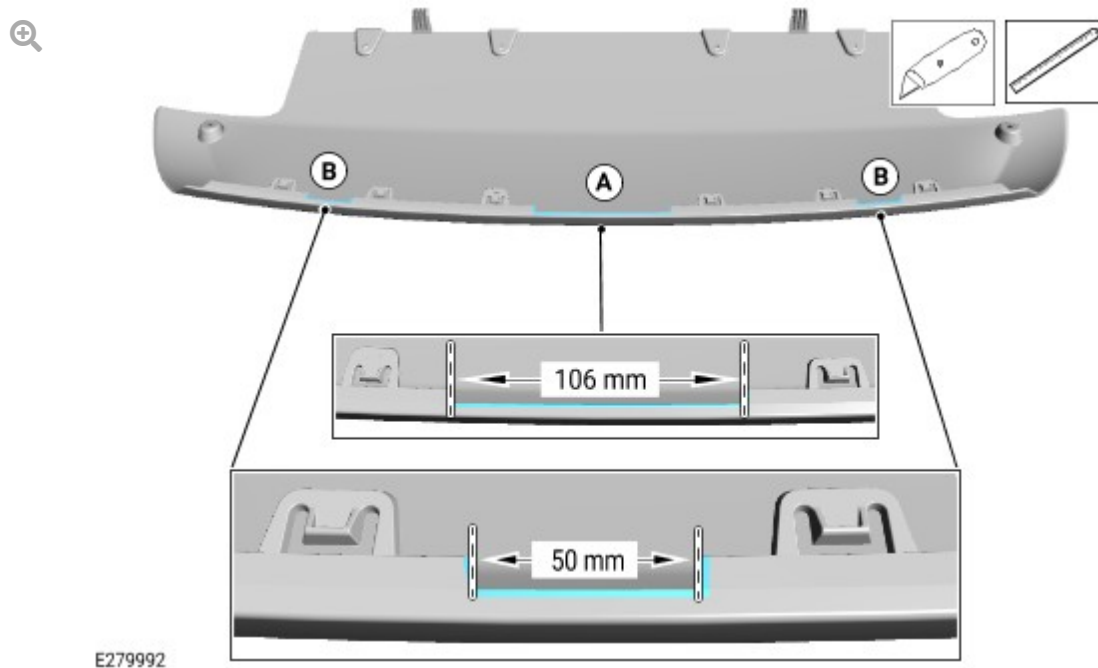
Remove the front towing eye cover.

---

3.

**CAUTION:**

Do NOT increase the depth of the slotted area.



Using a suitable tool, modify the front towing eye cover, as shown in the illustration. Make sure an equal amount of material is removed from each side of the slotted area, which will allow the slotted area to remain central, between the fixing tabs.

- Slotted area marked 'A' - 106 mm wide.
- Slotted areas marked 'B' - 50 mm wide.

---

4. Reverse steps 1 and 2.