



N094NAS1

TECHNICAL BULLETIN

12 OCT 2017

© Jaguar Land Rover North America, LLC

NOTE: The information in Technical Bulletins is intended for use by trained, professional Technicians with the knowledge, tools, and equipment required to do the job properly and safely. It informs these Technicians of conditions that may occur on some vehicles, or provides information that could assist in proper vehicle service. The procedures should not be performed by 'do-it-yourselfers'. If you are not a Retailer, do not assume that a condition described affects your vehicle. Contact an authorized Land Rover service facility to determine whether this bulletin applies to a specific vehicle.

INFORMATION

SECTION:

501-10: Seating

SUBJECT/CONCERN:

Service Action: Second Row Power Seat Function

AFFECTED VEHICLE RANGE:

MODEL:	MODEL YEAR:	VIN:	ASSEMBLY PLANT:	APPLICABILITY:
Discovery (LR)	2017	019608-023776	Solihull	Solihull

MARKETS:

NORTH AMERICA

CONDITION SUMMARY:**SITUATION:**

An issue has been identified on certain vehicles within the listed Affected Vehicle Range where the powered tilt and slide operation on the second row seating may not operate. The manual function will still be available to allow third row passengers to exit the vehicle.

ACTION:

Retailers are required to **HOLD** affected new vehicles that are within your control and refrain from releasing the vehicles for **new vehicle sale** pending completion of the Workshop Procedure detailed in this Technical Bulletin. Unsold vehicles should have this performed as part of the Pre-Delivery Inspection (PDI) process but **must** have it completed prior to vehicle handover to the customer.

Affected vehicles already in the hands of customers should be updated at the next available opportunity.

SPECIAL TOOLS:

Refer to TOPIx Workshop Manual/Workshop Procedure for any required special tools.

PARTS:**NOTE:**

Order only the expected percentage demand of parts identified.

DESCRIPTION	PART NO./SUNDRY CODE	QTY./VALUE	EXPECTED % OF VEHICLES REQUIRING PARTS
Cable - Seat Back Latch Release	LR109311	*1	100

* - quantity of '1' includes the 2 cables to complete repairs.

WARRANTY:

NOTE:

Check DDW to ensure that a vehicle is affected by this program prior to undertaking any rework action.

At the time of confirming a booking for vehicle repair, ensure that **all** outstanding Recall and Service Actions are identified to ensure the correct parts are available and adequate workshop time is allocated for repairs to be completed at one visit.

Warranty claims must be submitted quoting the Program Code together with the relevant Option Code. The SRO and parts information is included for information only. The Option Code(s) that allows for the drive in/drive out allowance can only be claimed if the vehicle is brought back into the workshop for this action alone to be undertaken.

Repair procedures are under constant review and therefore times / prices are subject to change; those quoted here must be taken as guidance only. Refer to TOPIx to obtain the latest repair time.

This program is valid for a limited time only. Warranty claims with a repair date prior to the **30 September 2019** closure date must be submitted or payment within 30 calendar days of completion of the repair.

PROGRAM CODE	OPTION CODE	DESCRIPTION	SRO	TIME (HOURS)	PARTS/SUNDRY CODE	QTY./VALUE
N094	B	Cable - Second Row Seat - Powered Sliding - Pair - Renew	78.85.89.70	0.2	LR109311	1
N094	C	Cable - Second Row Seat - Powered Sliding - Pair - Renew Drive In/Drive Out	78.85.89.70 02.02.02	0.2 0.2	LR109311 -	1 -

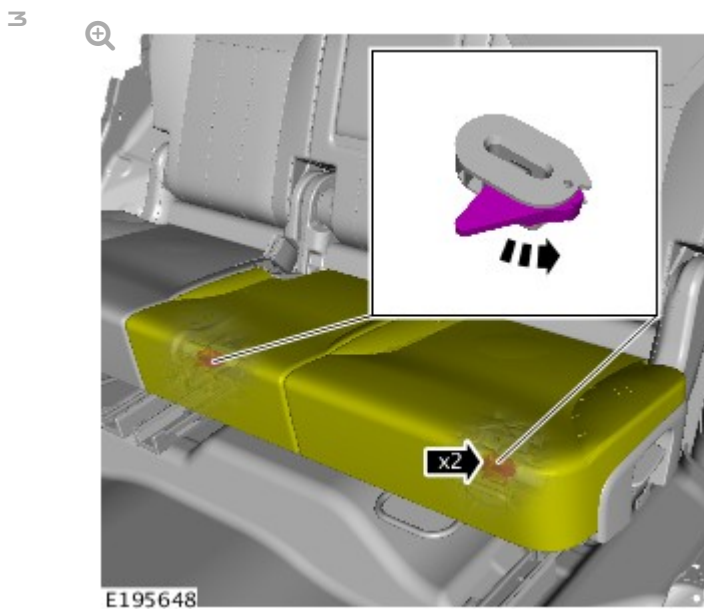
Normal Warranty policies and procedures apply.

WORKSHOP PROCEDURE:

NOTE:

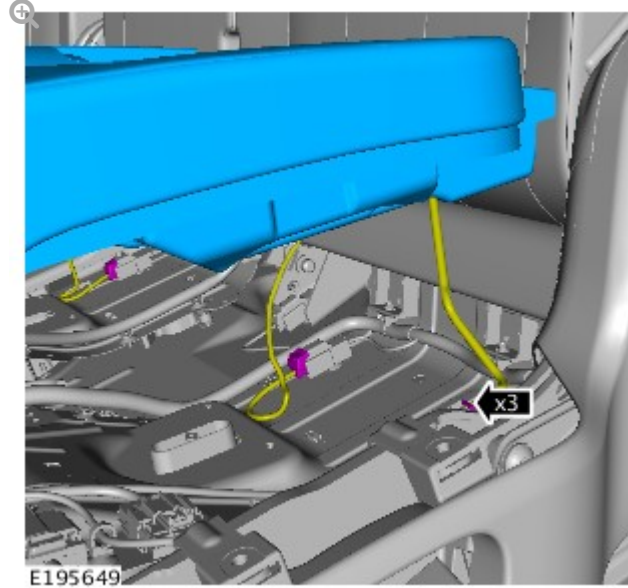
Left shown; right similar.

- 1 Open the rear left door.
- 2 Adjust the second row left seat to the furthest forward position.



Release the 2 clips retaining the second row left seat cushion.

4



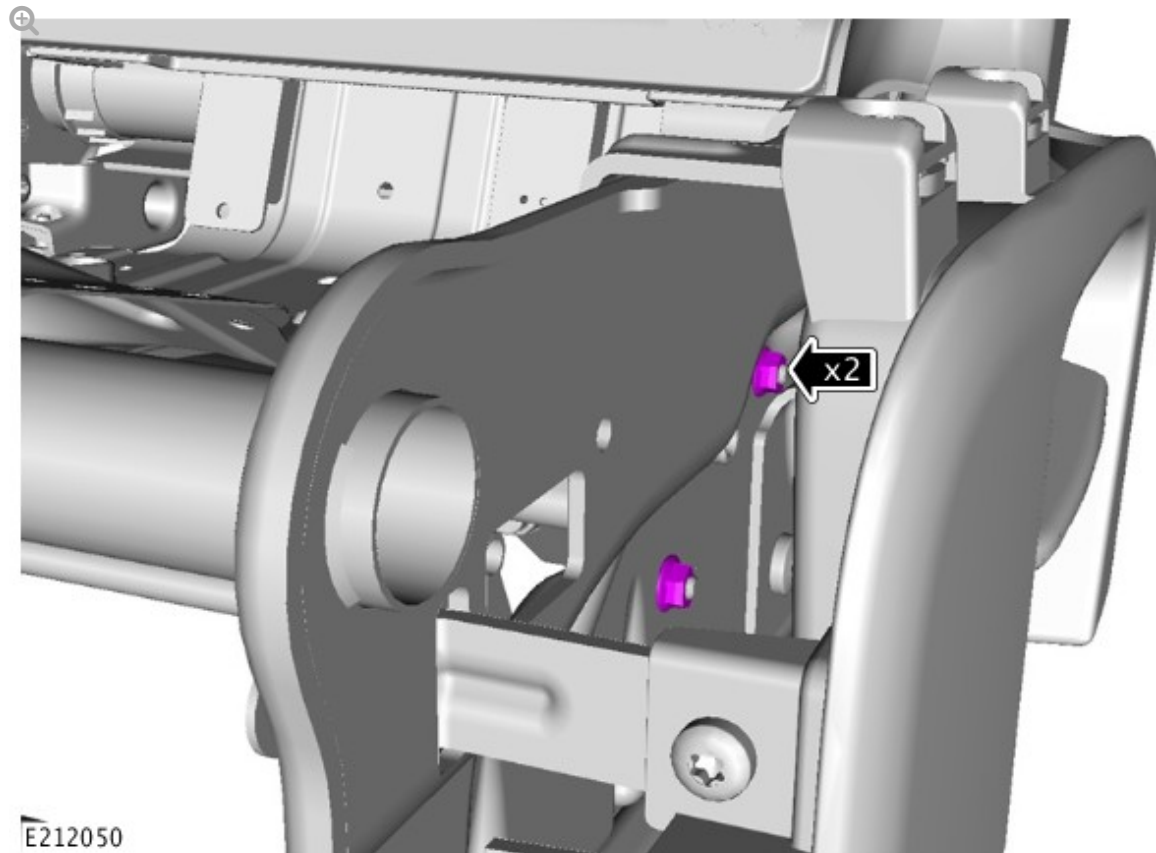
Remove the second row left seat cushion.

- Disconnect the wiring harness (if equipped).

5

NOTE:

Do not fully remove the 2 nuts.

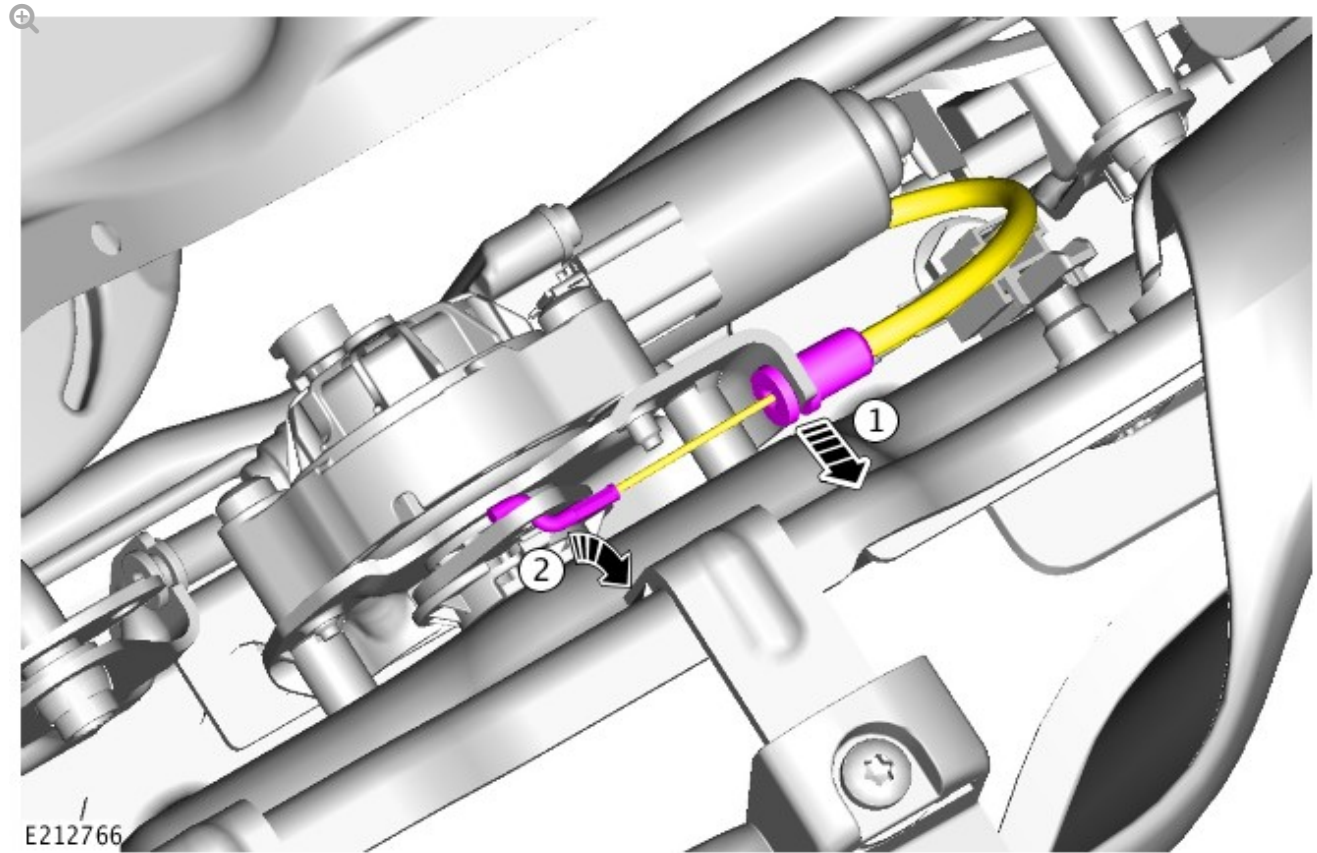


Loosen the 2 nuts securing the second row left seat motor.

6

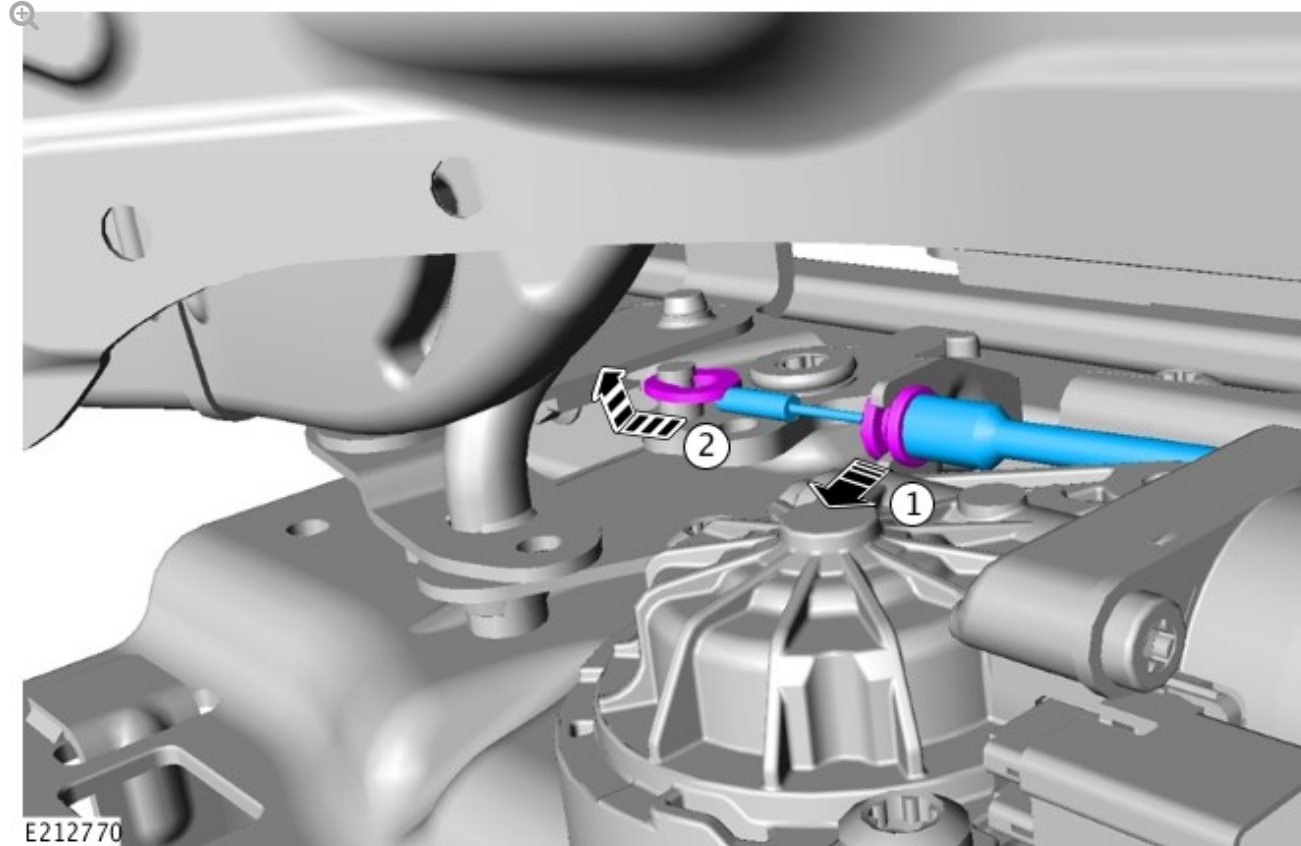
NOTE:

Take note of the cable routing.



Release the upper end of the second row left seat cable **(1)** from the bracket and release the 'S' style hook **(2)** from the actuator arm.

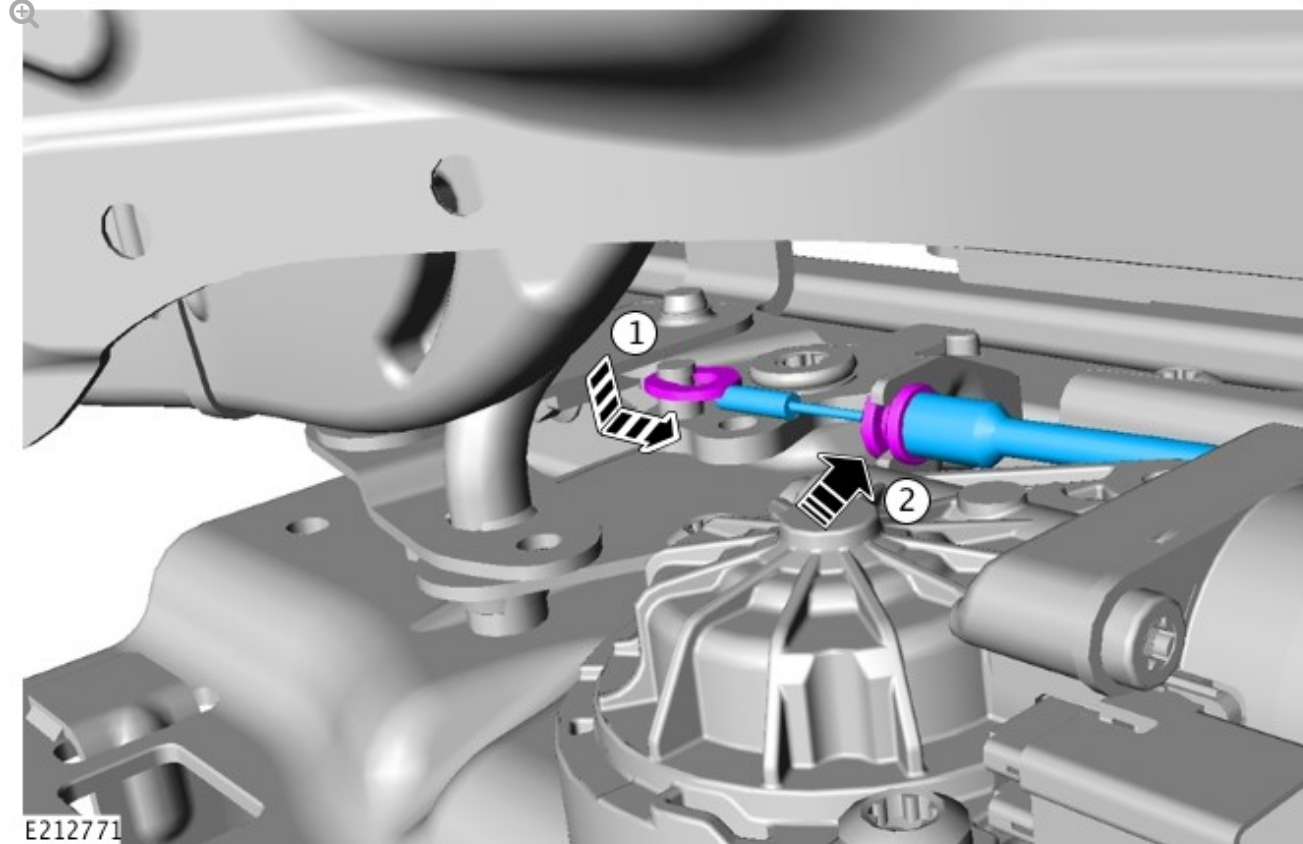
7



Release the lower end of the second row left seat cable **(1)** from the bracket and release the clip **(2)**.

- Remove and discard the original second row left seat cable.

8

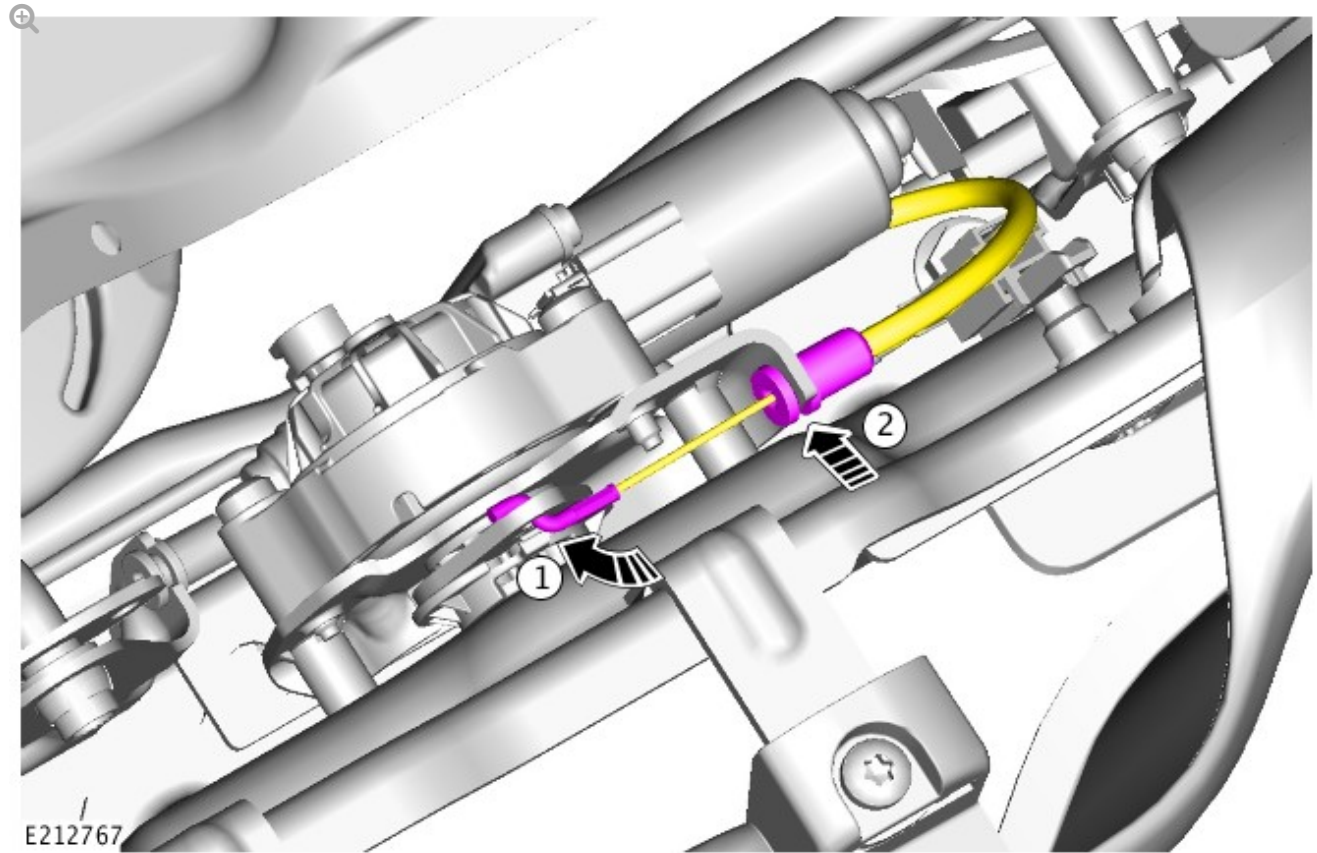


Install the clip **(1)** at the lower end of the replacement second row left seat cable, then install the outer cable clip **(2)** into the bracket.

9

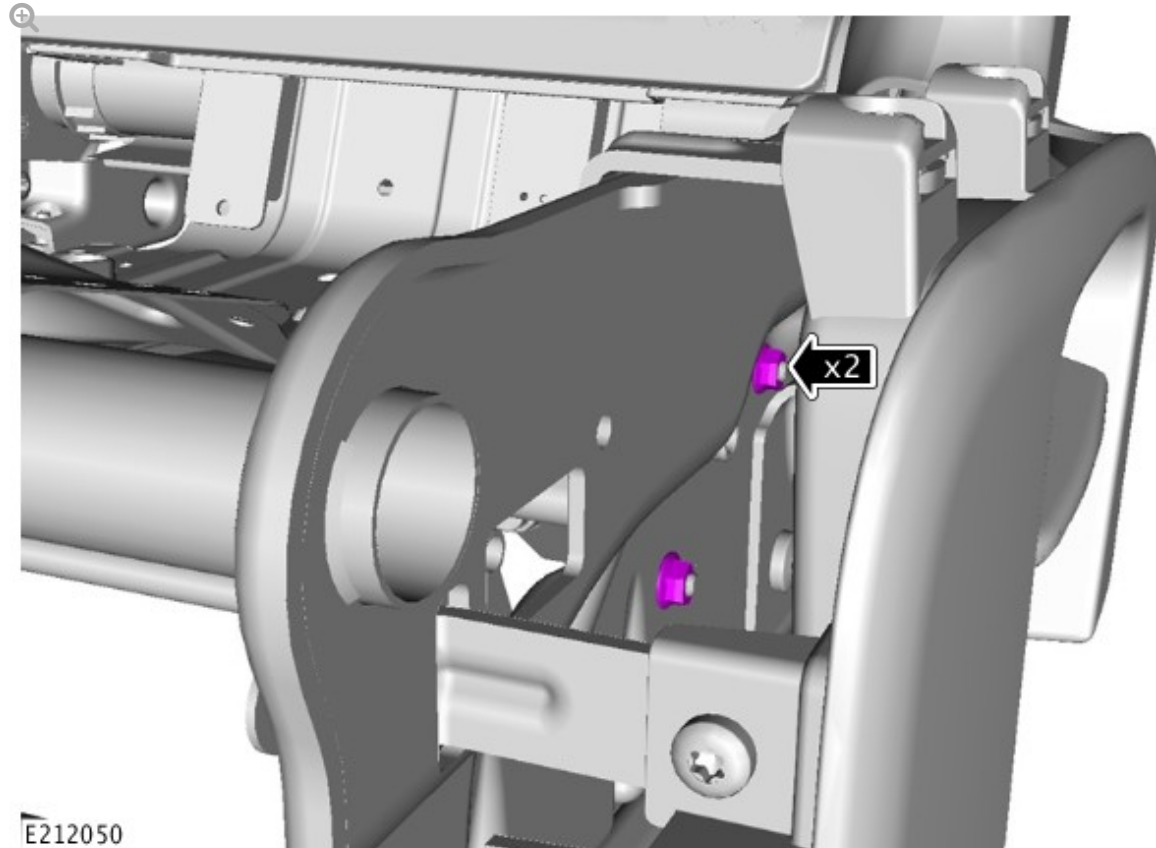
NOTE:

Make sure to route the replacement second row seat cable as previously noted.



Install the 'S' style hook **(1)** on the upper end of the replacement left seat cable into the actuator arm and then install the outer cable clip **(2)** into the bracket.

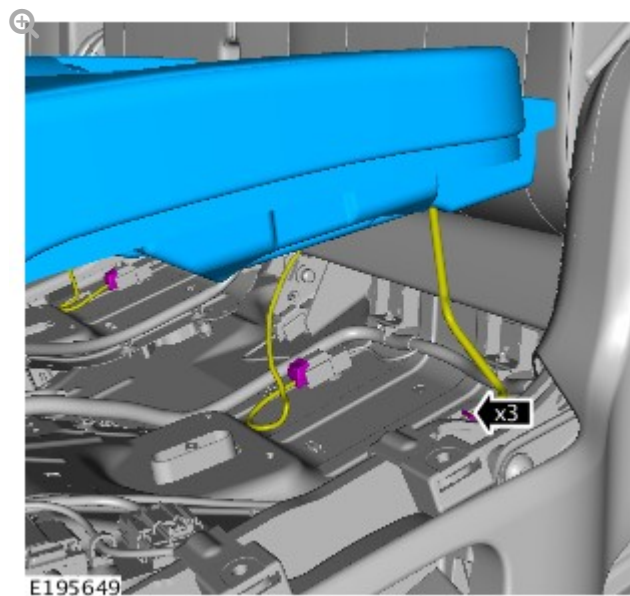
10



Install the 2 nuts securing the second row left seat motor.

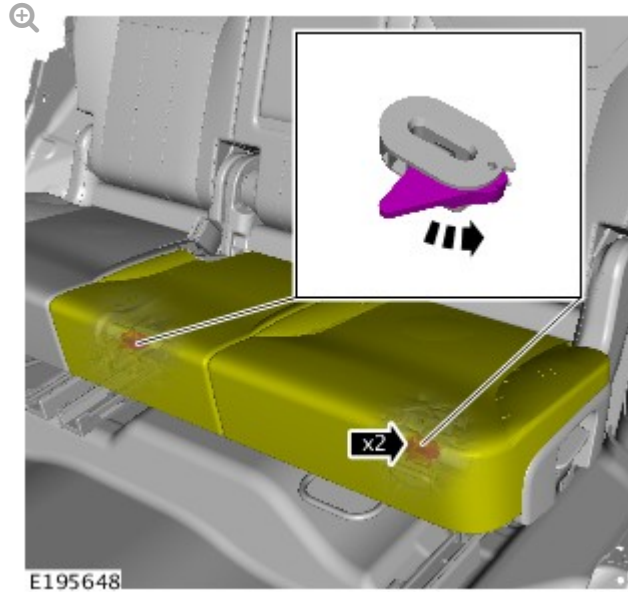
- **Torque: 12 Nm**

11



Install the seat cushion wiring harness (if equipped) and the second row left seat cushion.

12



Make sure the 2 clips are correctly latched.

13 Adjust the second row left seat to the desired position.

14 Repeat steps 1-13 for the second row right seat.