

SportDesign Package (2D1/2D3/2D5)

Information: **Retrofitting**

Model Year: **As of 2021**

Note:

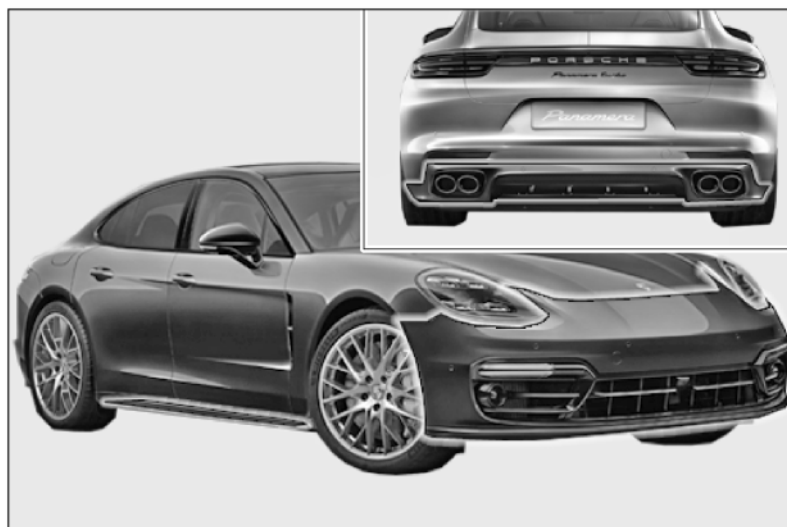


Figure 1

The SportDesign package (⇒ *Figure 1*) further emphasizes the sporty nature of the Panamera.

Depending on the I-no., the SportDesign package comprises the following components:

- New front apron
- New side skirts (VR4)
- New prime-coated rear skirt (lower part of rear spoiler)
- Carbon-fiber parts **ONLY** for SportDesign package Carbon (2D3)

The components have been tested and approved together. The installation of individual components not included in the approved optional equipment installed at the factory is not permitted or approved!

The components specified above are also available straight from the factory for new vehicles by requesting optional equipment SportDesign package (2D1)/SportDesign package Carbon (2D3) and SportDesign package painted Black (high-gloss – 2D5).

The relevant optional equipment is different in terms of the parts included and the paint finish (Matt Black – OK1 or High-Gloss Black – O41) of the individual parts.

For **I-no. 2D1**, we recommend the following paint finish:

- Matt Black (OK1): All grilles (radiators, vents), trims (fog lights, front camera) and decorative inserts
- Exterior color: All large parts (front apron, lower part of front spoiler, side skirts, complete rear apron), cover on towing lug and parking sensor, vane (C blade)

For **I-no. 2D5**, we recommend the following paint finish:

- High-Gloss Black (O41): All grilles (radiators, vents), trims (fog lights, front camera), decorative inserts and rear diffuser
- Exterior color: All large parts (front apron, lower part of front spoiler, side skirts, rear apron), cover on towing lug and parking sensor, vane (C blade)

A basic package and the relevant enhanced package must also be ordered, depending on vehicle equipment.

Parts Info:

SportDesign package (2D1/2D5) – Basic package

971.044.863.G ⇒ SportDesign package – USA, set WITHOUT side skirts

SportDesign package Carbon (2D3) – Basic package

971.044.863.J ⇒ SportDesign package Carbon – USA, set WITHOUT side skirts

Also order the following SportDesign side skirts (VR4), depending on vehicle equipment and what you want:

971.044.866 ⇒ SportDesign side skirts – Set

971.044.866.A ⇒ SportDesign side skirts, Executive – Executive (OE2), set

Also order the following enhanced package according to market and vehicle equipment:

971.044.867 ⇒ SDP enhancement – Basic vehicle

971.044.867.A ⇒ SDP enhancement – Vehicles with night vision system (9R1)

971.044.867.B ⇒ SDP enhancement – Vehicles with ultrasound parking aid with Real Top View (8A4)

971.044.867.C ⇒ SDP enhancement – Vehicles with ultrasound parking aid with Real Top View (8A4) and night vision system (9R1)

971.044.867.D ⇒ SDP enhancement – Vehicles with ACC (8T3) or ACC High with InnoDrive (3V1)

971.044.867.E ⇒ SDP enhancement – Vehicles with night vision system (9R1) and ACC (8T3) or ACC High with InnoDrive (3V1)

971.044.867.F ⇒ SDP enhancement – Vehicles with ultrasound parking aid with Real Top View (8A4) and ACC (8T3) or ACC High with InnoDrive (3V1)

971.044.867.G ⇒ SDP enhancement – Vehicles with ultrasound parking aid with Real Top View (8A4) and night vision system (9R1) and ACC (8T3) or ACC High with InnoDrive (3V1)



Information

Number plate holder for USA are already contained in the respective basic package.

Parts List:

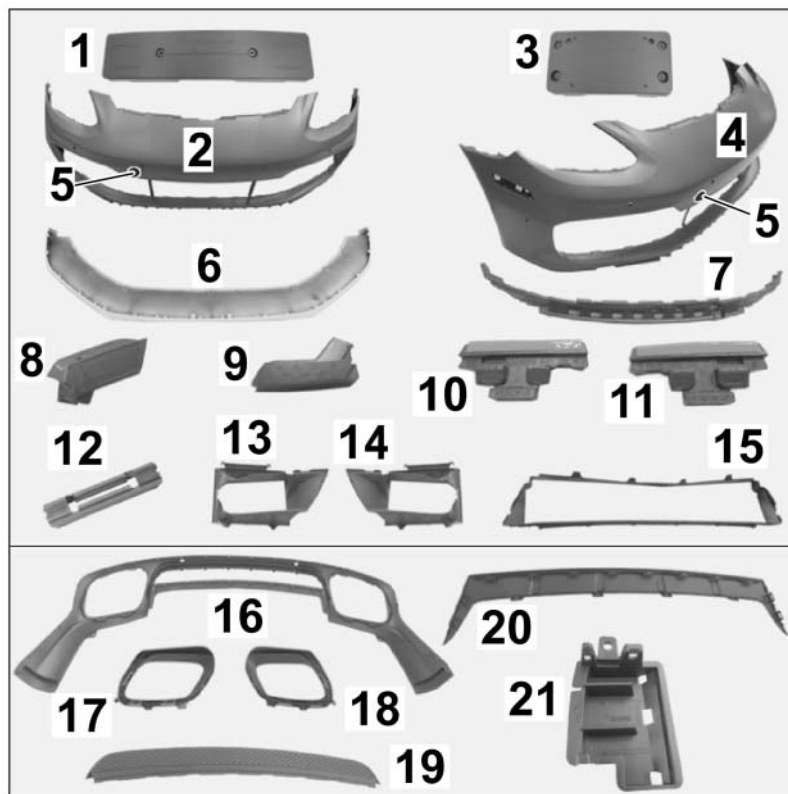


Figure 2

Parts included for front and rear apron/air guides (⇒ Figure 2):

— — — —	1 x	Not applicable for US vehicles ⇒ Figure 2-1-
— — — —	1 x	Not applicable for US vehicles ⇒ Figure 2-2-
971.807.287.M.G2X ¹	1 x	Number plate carrier, USA, prime-coated ⇒ Figure 2-3-
— — — — ¹	1 x	Front apron, USA, prime-coated ⇒ Figure 2-4-
971.807.155.B.G2X	1 x	Towing lug cover, prime-coated ⇒ Figure 2-5-
971.807.541.B.G2X	1 x	Lower part of front spoiler, prime-coated ⇒ Figure 2-6-
971.807.549.E	1 x	Plastic foam strip for pedestrian protection ⇒ Figure 2-7-
971.807.252	1 x	Foam part (right) ⇒ Figure 2-8-
971.807.251	1 x	Foam part (left) ⇒ Figure 2-9-
971.807.914.B ¹	1 x	Foam part (right) ⇒ Figure 2-10-
971.807.912.B ¹	1 x	Foam part (left) ⇒ Figure 2-11-

999.507.696.00	6 x	U-clamp (for securing lower part of front spoiler/front apron) ⇒ <i>Figure 2-12-</i>
971.121.334.F	1 x	Side air guide (right) ⇒ <i>Figure 2-13-</i>
971.121.333.F	1 x	Side air guide, (left) ⇒ <i>Figure 2-14-</i>
971.121.710.G	1 x	Front air guide (center) ⇒ <i>Figure 2-15-</i>
971.807.521.A.G2X	1 x	Lower part of rear spoiler, prime-coated ⇒ <i>Figure 2-16-</i>
971.807.951.A.OK1	1 x	Trim frame for tailpipe cover (left), matt black ⇒ <i>Figure 2-17-</i>
971.807.952.A.OK1	1 x	Trim frame for tailpipe cover (right), matt black ⇒ <i>Figure 2-18-</i>
971.807.684.OK1	1 x	Center grille, rear, matt black ⇒ <i>Figure 2-19-</i>
971.807.568.G2X	1 x	Rear diffuser, prime-coated ⇒ <i>Figure 2-20-</i>
971.807.773.A	1 x	Virtual Pedal (VIP) holder ⇒ <i>Figure 2-21-</i>
N 104.734.02	20 x	Lens-head screws, TP6 x 20-Q (not shown)
971.953.041.G	1 x	Auxiliary headlights, left direction indicator light (not shown)
971.953.042.G	1 x	Auxiliary headlights, right direction indicator light (not shown)
500.919.275.B.G2X	2 x	Inner ParkAssist sensor (90° angled), prime-coated (not shown)
500.919.275.C.G2X	2 x	Outer ParkAssist sensor, prime-coated (not shown)
971.035.510.C	2 x	Telephone stick-on antenna for front apron (not shown)
999.919.243.01	8 x	Screw, 5 x 13 (number plate holder, not shown)

¹ ONLY included in respective basic package!

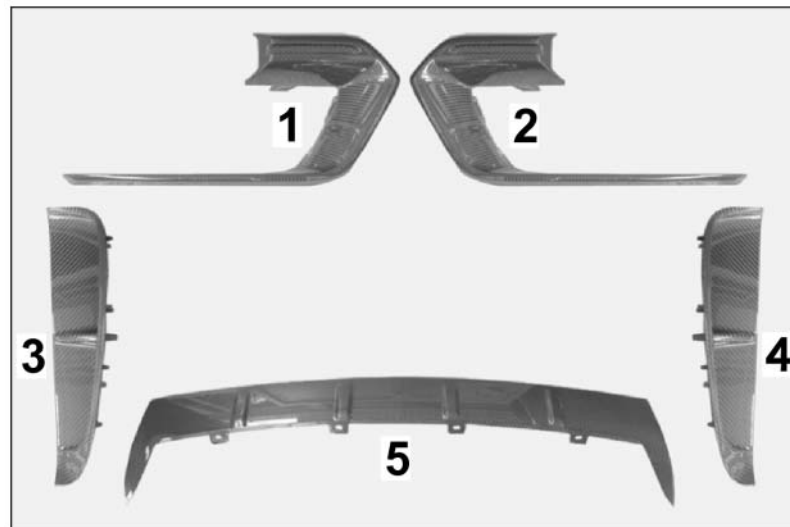


Figure 3

Parts included in SportDesign package Carbon (⇒ *Figure 3*):

971.807.878.Q .A3G	1 x	Vane (C blade), right, carbon-fiber, high-gloss black ⇒ <i>Figure 3-1-</i>
971.807.877.Q .A3G	1 x	Vane (C blade), left, carbon-fiber, high-gloss black ⇒ <i>Figure 3-2-</i>

971.854.776.C .A3G	1 x	Wing trim panel, right, carbon-fiber, high-gloss black ⇒ <i>Figure 3-3-</i>
971.854.775.C .A3G	1 x	Wing trim panel, left, carbon-fiber, high-gloss black ⇒ <i>Figure 3-4-</i>
971.807.568.A .A3G	1 x	Rear diffuser, carbon-fiber, high-gloss black ⇒ <i>Figure 3-5-</i>

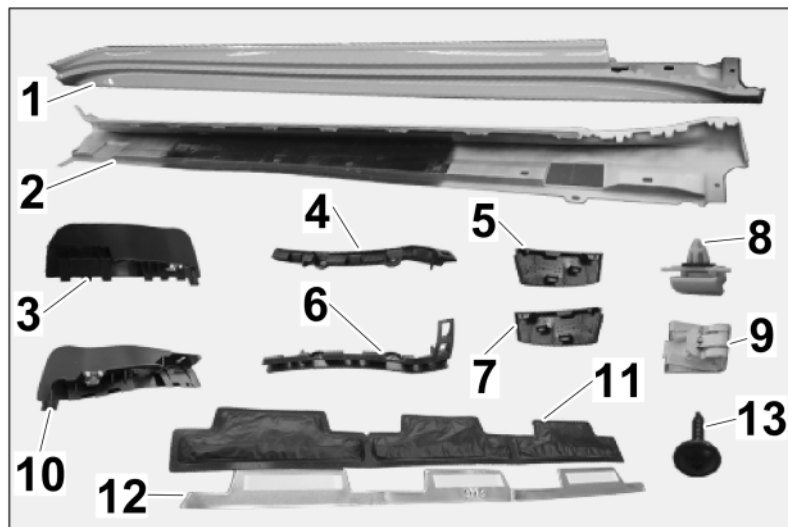


Figure 4

Parts included for side skirts (⇒ *Figure 4*):

971.854.883.B.G2X ²	1 x	Side skirt (left), prime-coated ⇒ <i>Figure 4-1-</i>
971.854.884.B.G2X ²	1 x	Side skirt (right), prime-coated ⇒ <i>Figure 4-2-</i>
971.854.883.C.G2X ²	1 x	Side skirt, Executive – OE2 (left), prime-coated (not shown)
971.854.884.C.G2X ²	1 x	Side skirt, Executive – OE2 (right), prime-coated (not shown)
971.854.828.OK1	1 x	Rubber lip, rear (right) ⇒ <i>Figure 4-3-</i>
971.854.943	1 x	Retaining strip (left) ⇒ <i>Figure 4-4-</i>
971.853.610.OK1	1 x	Wheel cover on side skirt, rear (right) ⇒ <i>Figure 4-5-</i>
971.854.944	1 x	Retaining strip (right) ⇒ <i>Figure 4-6-</i>
971.853.609.OK1	1 x	Wheel cover on side skirt, rear (left) ⇒ <i>Figure 4-7-</i>
971.853.755	18 x	Fixing clips ⇒ <i>Figure 4-8-</i>
9A7.007.380.00	4 x	Speed nut, ST4.8 ⇒ <i>Figure 4-9-</i>
971.854.827.OK1	1 x	Rubber lip, rear left ⇒ <i>Figure 4-10-</i>
— — —	4 x	Absorber ⇒ <i>Figure 4-11-</i>
— — —	4 x	Acoustic film ⇒ <i>Figure 4-12-</i>
9A7.007.698.00	4 x	Round head screw, ST4.8 x 16 ⇒ <i>Figure 4-13-</i>

2 ONLY contained in respective side skirts set!



Figure 5

Parts included for enhancement packages (⇒ Figure 5):

— — — — ³	1 x	Center grille, prime-coated ⇒ Figure 5 -1-
— — — —	1 x	Grille (left), prime-coated ⇒ Figure 5 -2-
— — — —	1 x	Center grille vane, prime-coated ⇒ Figure 5 -3-
971.807.985.F OK1	1 x	Support for ACC vane (left), ⇒ Figure 5 -4-
— — — — ³	1 x	Center grille, prime-coated ⇒ Figure 5 -5-
— — — —	1 x	Center grille vane (right), prime-coated ⇒ Figure 5 -6-
— — — —	1 x	Center grille vane (left), prime-coated ⇒ Figure 5 -7-
— — — —	1 x	Decorative insert (left), prime-coated ⇒ Figure 5 -8-
— — — —	1 x	Vane (C blade, right), prime-coated ⇒ Figure 5 -9-
971.807.986.E OK1	1 x	Support piece for vane (right) ⇒ Figure 5 -10-
971.807.985.E OK1	1 x	Support piece for vane (left) ⇒ Figure 5 -11-
— — — —	1 x	ACC trim, left (8T3/3V1, left) ⇒ Figure 5 -12-
— — — —	1 x	Side vane (left) ⇒ Figure 5 -13-
— — — —	1 x	Side vane (right) ⇒ Figure 5 -14-
— — — —	1 x	Grille (right), prime-coated ⇒ Figure 5 -15-
971.807.486.C OK1	1 x	Insert piece for trim (8T1, right) ⇒ Figure 5 -16-

971.807.485.C OK1	1 x	Insert piece for trim (8T1, left) ⇒ <i>Figure 5-17-</i>
971.807.486.D OK1	1 x	Insert piece for trim, ACC (3V1/8T3, right) ⇒ <i>Figure 5-18-</i>
971.807.997.B	1 x	Camera holder ⇒ <i>Figure 5-19-</i>
971.807.986.F OK1	1 x	Support for ACC vane (8T3/3V1, right) ⇒ <i>Figure 5-20-</i>
971.807.485.D OK1	1 x	Insert piece for trim, ACC (3V1/8T3, left) ⇒ <i>Figure 5-21-</i>
— — — —	1 x	Camera cover, (8A4), prime-coated ⇒ <i>Figure 5-22-</i>
— — — —	1 x	Vane (C blade, left), prime-coated ⇒ <i>Figure 5-23-</i>
— — — —	1 x	Decorative insert (right), prime-coated ⇒ <i>Figure 5-24-</i>
— — — —	1 x	ACC trim (8T3/3V1, right) ⇒ <i>Figure 5-25-</i>
— — — —	1 x	Center grille, prime-coated (7X2/7X8/9R0), (not shown)
— — — —	1 x	Center grille, prime-coated, (7X2/7X8/9R1), (not shown)

³ ONLY included in respective enhancement package!



Information

ONLY in the event of repairs/replacement:

Items **WITHOUT** a part number in the parts list can be found/ordered from the Porsche Electronic Parts Catalog = PET.

Check model year and vehicle equipment (I-no.) in the standard catalog!

Materials:	— — — —	— —	Cleaning cloth (commercially available)
	— — — —	— —	Isopropanol (commercially available)
	000.043.300.49	— —	Activator

- Tools:
- 9900 - PIWIS Tester 3**
 - T10118 - Assembly tool**
 - VAS 6937 Adjusting gauge**
 - Polyoxymethylene wedge (POM wedge, commercially available)
 - Soft-faced hammer (commercially available)
 - Stanley knife (commercially available)
 - Flashlight

Installing: 1 Preparatory work

 **CAUTION**

Painting components

- Risk of warping of components
 - Risk of damage to components
- ⇒ Observe the guidelines and instructions for painting components in the "Paint" Workshop Manual.
- ⇒ Always place parts without tension on the painting devices provided during painting and drying processes.

- 1.1 Paint all prime-coated parts to match the vehicle's color code in accordance with instructions in the Paint Workshop Manual.
 - 1.1.1 Paint the following parts in exterior color:
Front part of front apron, front spoiler, number plate carrier, towing lug cover, headlight cleaning system cover, rear skirt, parking sensors and sill covers
 - 1.1.2 Paint the following parts in High-gloss Black (041) or Black Matte (OK1):
Center grille, decorative insert at left/right, vane at left/right, ACC trim, vane in center grille, vane (C blade) at left/right, RTV cover, grille at left/right, lower diffuser
- 1.2 Disconnect the battery. ⇒ *Workshop Manual '2X00IN Work instructions after disconnecting the battery'*
- 1.3 Raise the vehicle. ⇒ *Workshop Manual '4X00IN Lifting the vehicle'*
- 1.4 Remove front apron. ⇒ *Workshop Manual '631519 Removing and installing front apron'*
- 1.5 Remove rear apron. ⇒ *Workshop Manual '635519 Removing and installing rear apron'*
- 1.6 **ONLY** for SportDesign side skirts (VR4):
Remove (standard) sill cover. ⇒ *Workshop Manual '663119 Removing and installing door entry guard'*

2 Convert rear apron



Information

Some of the repair illustrations show only one side of the vehicle. Naturally, some steps also have to be performed on the opposite side of the vehicle as well. These must be carried out as a mirror image of the steps shown.

- 2.1 Remove ParkAssist sensor (⇒ *Figure 6*) from rear skirt. ⇒ *Workshop Manual '917519 Removing and installing ParkAssist sensor'*

- 1 – ParkAssist sensor
- 2 – Clip
- 3 – Clip (Keyless Entry)
- 4 – Antenna
- 5 – Antenna
- 6 – VIP control unit

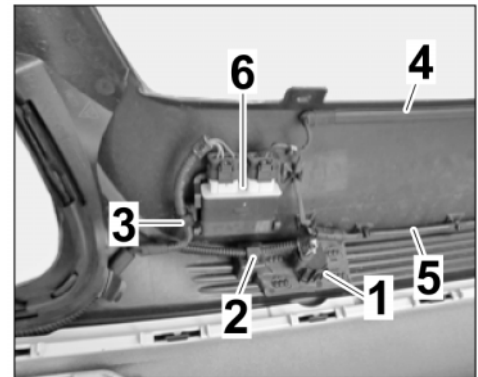


Figure 6

- 2.1.1 Unclip clip (⇒ *Figure 6 -2-*) from ParkAssist sensor holder.

- 2.1.2 **ONLY** for vehicles with Keyless Entry (4F2/4F6):
Unclip clip (⇒ *Figure 6 -3-*) from VIP control unit holder.

Carefully detach antennas (⇒ *Figure 6 -4 and 5-*) from rear skirt.

Unclip VIP control unit (⇒ *Figure 6 -6-*) from holder.

- 2.2 Remove (standard) rear skirt. ⇒ *Workshop Manual '636819 Removing and installing rear skirt'*

- 2.3 Remove speed nut ST4.8 (4 x) from (standard) rear skirt and install it on the side of the new (prime-coated) rear skirt (⇒ *Figure 7*).

- 1 – Speed nut, ST4.8

Install new rear skirt on rear apron. ⇒ *Workshop Manual '636819 Removing and installing rear skirt'*

- 2.4 Complete the rear skirt

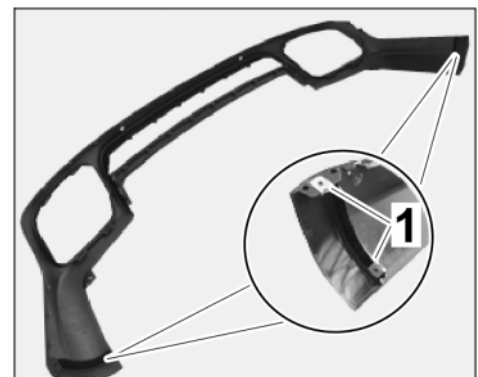


Figure 7

- 2.4.1 Clip new trim frame for tailpipe cover (at the left/right) into new rear skirt (⇒ *Figure 8*). ⇒ *Workshop Manual '637019 Removing and installing trim frame for tailpipe cover'*

- 1** – Trim frame for tailpipe cover (left)

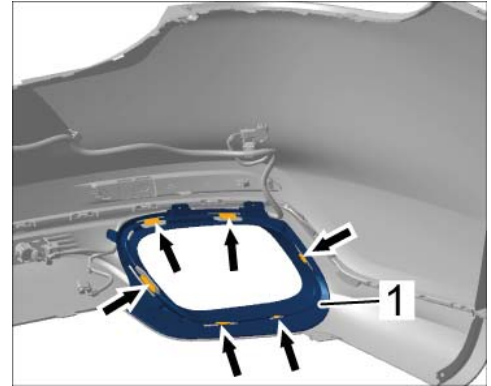


Figure 8

- 2.4.2 Clip new center grille into the new rear skirt (⇒ *Figure 9-a*).

- 1** – Center grille
2 – Rear skirt

Check that the locking lugs on the rear skirt (⇒ *Figure 9 -Arrows-*) are installed correctly in the center grille.

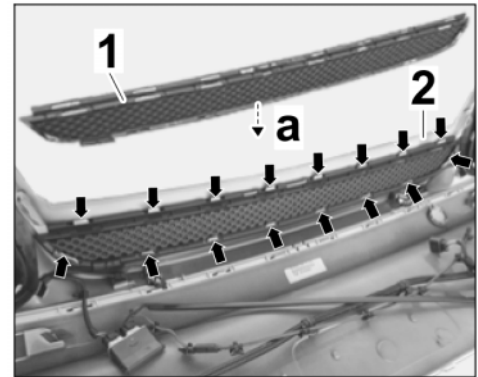


Figure 9

- 2.5 Install new diffuser (⇒ *Figure 10*).

- 1** – Diffuser
2 – Center grille
3 – Rear skirt

- 2.5.1 First, clip diffuser into the center grille (⇒ *Figure 10 -Arrows-*).

- 2.5.2 Then, clip diffuser into the rear skirt (⇒ *Figure 10-a*).

- 2.6 **ONLY** for vehicles with Keyless Entry (4F2/4F6):
Install Virtual Pedal (VIP) holder.

- 2.6.1 Clean bonding surfaces to remove all dust and grease.

- 2.6.2 Pull protective film off VIP holder.

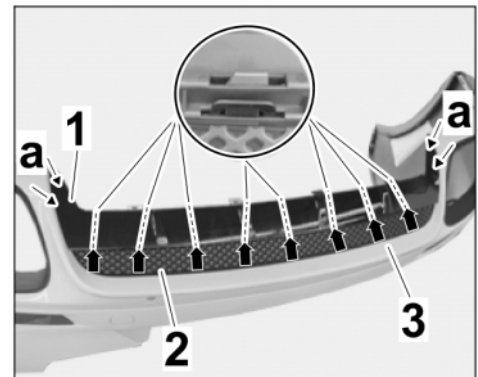


Figure 10

2.6.3 Position VIP holder on the guide lug (⇒ *Figure 13 -Arrow-*) on the center grille and press it on firmly.

- 1 – Virtual Pedal (VIP) holder
- 2 – Center grille

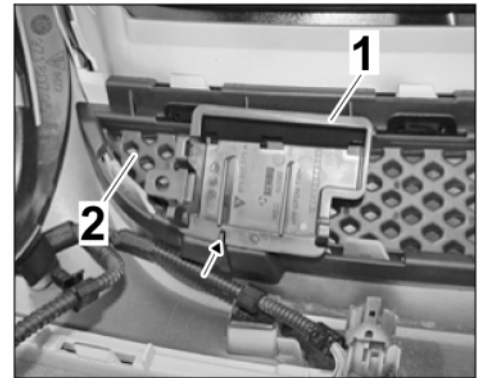


Figure 11

2.6.4 Stick double-sided adhesive tape on flat-band conductor (sensor 1) and holder for coaxial conductor (sensor 2) (⇒ *Figure 12*).

- 1 – Flat-band conductor (sensor 1)
- 2 – Holder for coaxial conductor (sensor 2)

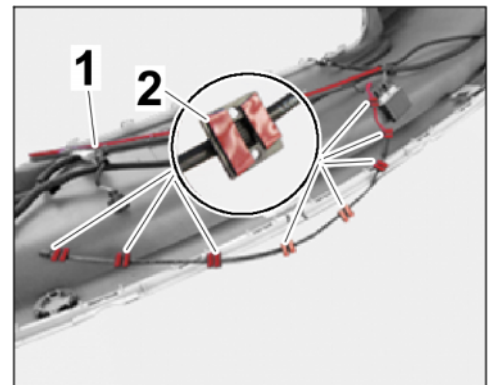


Figure 12

2.6.5 Clip VIP control unit into VIP holder
(⇒ *Figure 13-top left*-).

- 1 – Virtual Pedal (VIP) control unit
- 2 – Clip
- 3 – Flat-band conductor (sensor 1)
- 4 – Coaxial conductor (sensor 2)
- 5 – Holder for coaxial conductor (sensor 2)

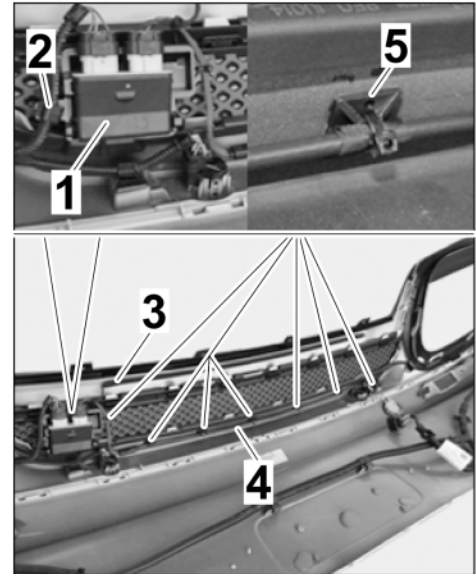


Figure 13

2.6.6 Clean bonding surfaces to remove all dust and grease.

Install clip into VIP holder (⇒ *Figure 13-top left*-).

2.6.7 Install antenna, consisting of flat-band conductor (sensor 1) and coaxial conductor with holder (sensor 2) into the rear apron as follows:

- Pull protective film off adhesive tape on the flat-band conductor (sensor 1 ⇒ *Figure 13-3-*) and affix it underneath the center grille (⇒ *Figure 13-bottom-*).
- Pull protective film off holder for coaxial conductor (⇒ *Figure 13-5-*) and affix coaxial conductor firmly above the center grille (⇒ *Figure 13-bottom-*).

2.7 Install ParkAssist sensor in rear skirt. ⇒ *Workshop Manual '917519 Removing and installing ParkAssist sensor'*

2.8 Install rear apron. ⇒ *Workshop Manual '635519 Removing and installing rear apron'*

3 Assemble new front apron

3.1 Install front spoiler on front apron

For the following work: See Information!



Information

Check fixing clips. They must not be bent or broken.

Make sure that all locking lugs have engaged correctly.

Check that they are installed correctly.

3.1.1 Install front spoiler (lower part) in the front apron with the help of another person (⇒ *Figure 14*).

- 1 – Front spoiler (lower part)
- 2 – Front apron

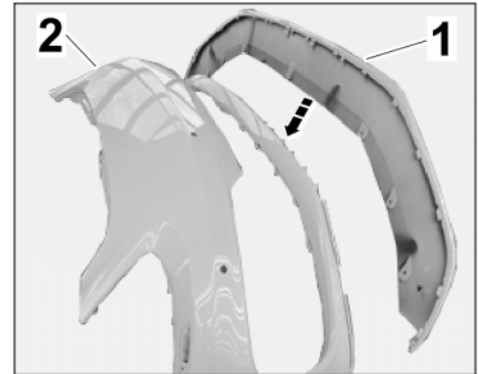


Figure 14

3.1.2 Also secure the front spoiler (lower part) to the front apron with U-clamps (6 x ⇒ *Figure 15*) in the locking lug area (gap between front apron and spoiler visible from outside).

- 1 – Front spoiler (lower part)
- 2 – Front apron
- 3 – U-clamp

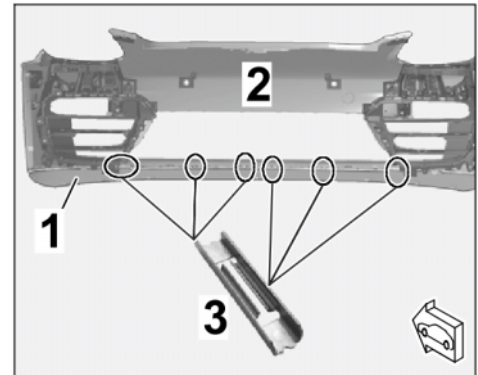


Figure 15

3.2 Install new grille in the front apron

3.2.1 Cut bar (stabilising element during transport) off the front apron (⇒ *Figure 16*).

- 1 – Bar (stabilising element during transport)
- 2 – Front apron

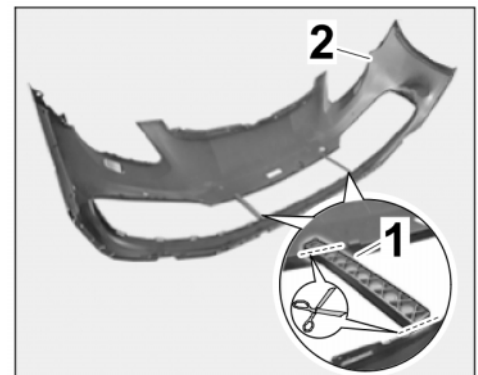


Figure 16

3.2.2 Install center grille (radiator grille) into the front apron (⇒ *Figure 17*).

- 1 – Center grille (radiator grille)
- 2 – Front apron
- 3 – Locking lugs

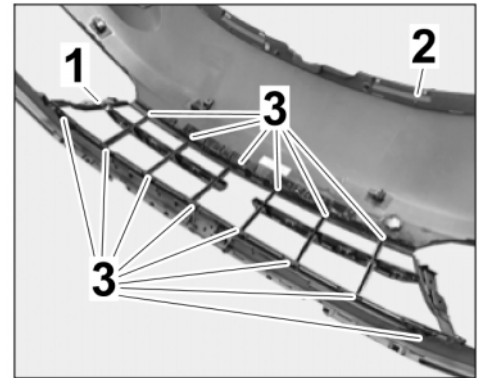


Figure 17

3.2.3 Install grille (at the left/right) into the front apron (⇒ *Figure 18*).

- 1 – Grille (left)
- 2 – Locking lugs

3.3 Complete the grille (at the left/right)

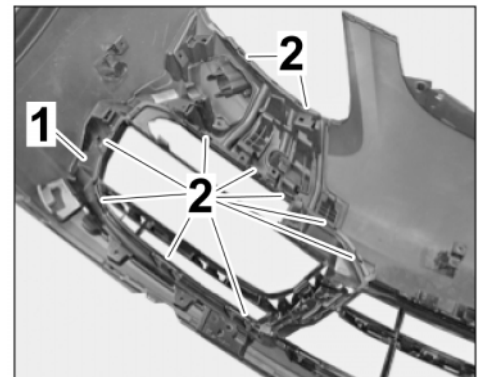


Figure 18



Information

Different inner air grilles (A - D) are used, depending on vehicle equipment.

3.3.1 Install insert piece for trim (right-hand side shown here, type D ⇒ *Figure 19*) into the grille.

- A** – Panamera V6/V8 biturbo without ACC
- B** – Panamera V6 Turbo with ACC
- C** – Panamera V6 Turbo without ACC
- D** – Panamera V6/V8 biturbo with ACC
- 1** – Grille (right)
- 2** – Insert piece for trim (right, type D)
- 3** – Screw, TP 6 x 20

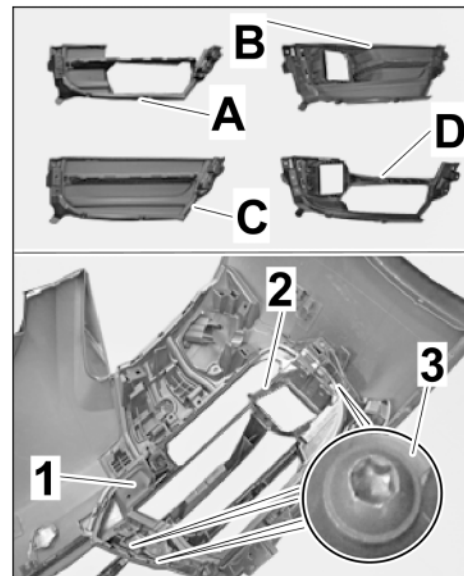


Figure 19

Secure insert piece for trim using new screws (TP 6 x 20) (3 ea.).

3.3.2 Install vane (C blade – painted or carbon-fiber) into the grille (⇒ *Figure 20 -Arrows-*).

- 1** – Vane (C blade)
- 2** – Grille (right)

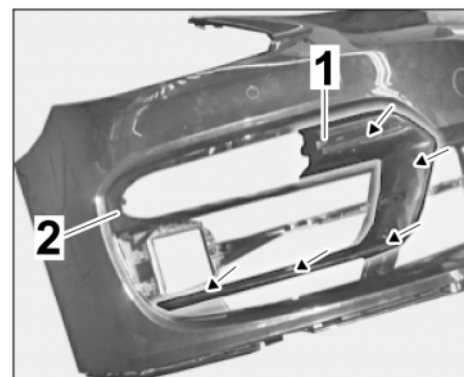


Figure 20

- 3.3.3 **ONLY** for vehicles with ACC High with InnoDrive (3V1) or Automatic distance control (8T3):
Install ACC trim only **AFTER** adjusting the distance measuring sensor (see Step 5.1) at the grille (left/right) (⇒ *Figure 21 -Arrow-*).

- 1 – ACC trim
2 – Grille (left)

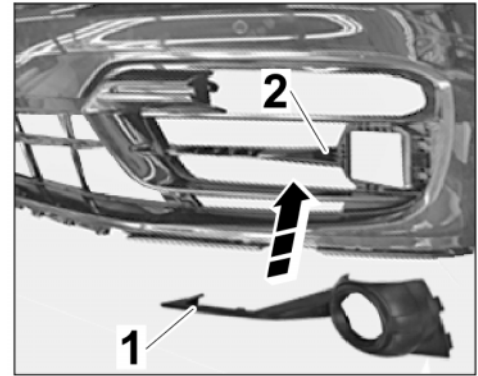


Figure 21

- 3.3.4 **ONLY** for vehicles WITHOUT ACC:
Install side vane (at the left/right) into the grille (at the left/right) (⇒ *Figure 22*).

- 1 – Side vane (right)
2 – Grille (right)

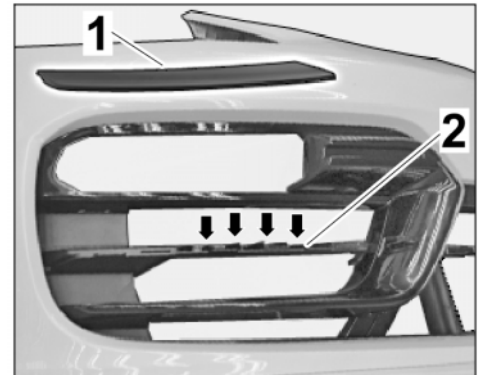


Figure 22

- 3.3.5 **ONLY** for vehicles with ACC High with InnoDrive (3V1) or Automatic distance control (8T3):
Convert distance measuring sensor control unit.

- 1 – Distance measuring sensor control unit
2 – Countersunk screw, TP 6 x 20

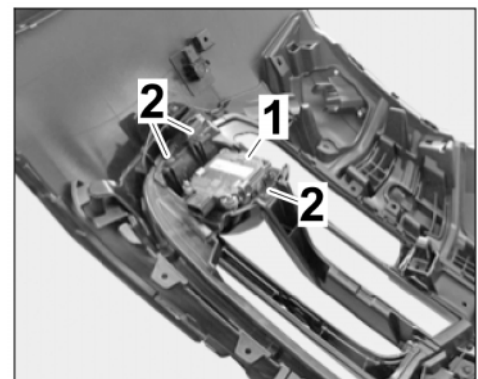


Figure 23

- Remove distance measuring sensor control unit from standard front apron. ⇒ *Workshop Manual '278519 Removing and installing control unit for distance measuring sensor'*
- Position distance measuring sensor control unit in inner air grille (⇒ *Figure 23*).
- Install countersunk screw TP 6 x 20 (⇒ *Figure 23-2*): **Tightening torque 2.5 Nm (1.75 ftlb.) +/-10 %**

3.3.6 Install new auxiliary headlights
(⇒ *Figure 24* = figure shows:
standard front apron).

- 1 – Auxiliary headlights
- 2 – Countersunk screw, TP 6 x 20

Install new countersunk screw TP 6 x 20 (⇒ *Figure 24 -3-*):

**Tightening torque 2.5 Nm
(1.75 ftlb.)**

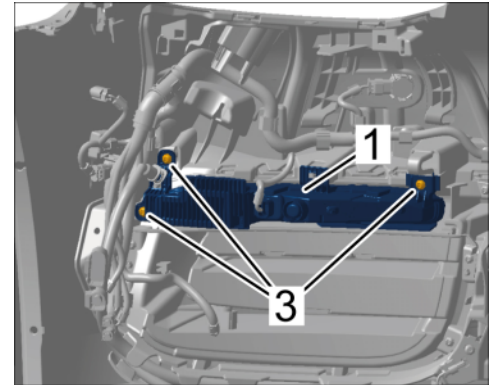


Figure 24



Information

The number of electric plug connections and clips will vary depending on equipment.

3.4 Convert front wire harness.

3.4.1 Convert middle pedestrian protection sensor (⇒ *Figure 25*).
⇒ *Workshop Manual '696719 Removing and installing pedestrian protection sensor'*

3.4.2 Remove ParkAssist sensors (4 ea.) from (standard) front apron and install them in the new front apron. Also use new ParkAssist sensors (2 ea.).

3.4.3 Remove wire harness (on the right-hand side ⇒ *Figure 26*) from (standard) front apron and install it in the new front apron.

- 1 – Right wire harness

3.4.4 Convert wire harness (on the left-hand side) in the same way as on the right-hand side.

3.5 **ONLY** for USA vehicles:
Convert side marker lights. ⇒ *Workshop Manual '945219 Removing and installing side marker light'*

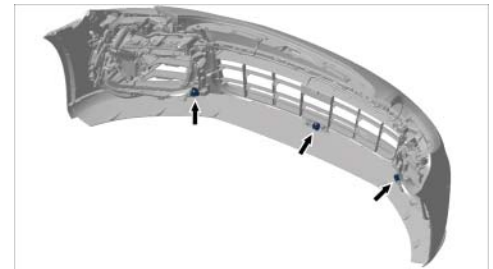


Figure 25

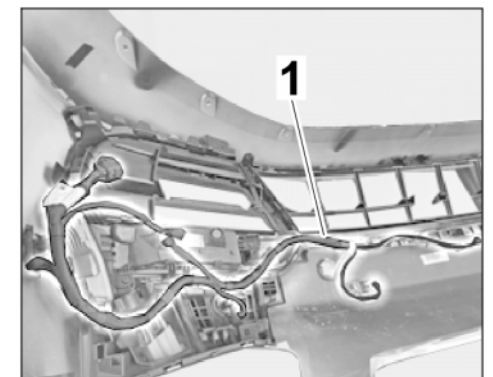


Figure 26

3.6 Install UMTS stick-on antenna (⇒ *Figure 27*).

1 – UMTS stick-on antenna

3.6.1 Clean bonding surfaces to remove all dust and grease.

3.6.2 Pull off protective film. Press UMTS stick-on antenna firmly onto the front apron at the relevant marking.

3.6.3 Connect electric plug connection.

3.7 **ONLY** for vehicles with ultrasound parking aid with Real Top View (8A4):
Convert front camera. ⇒ *Workshop Manual '916919 Removing and installing front camera'*

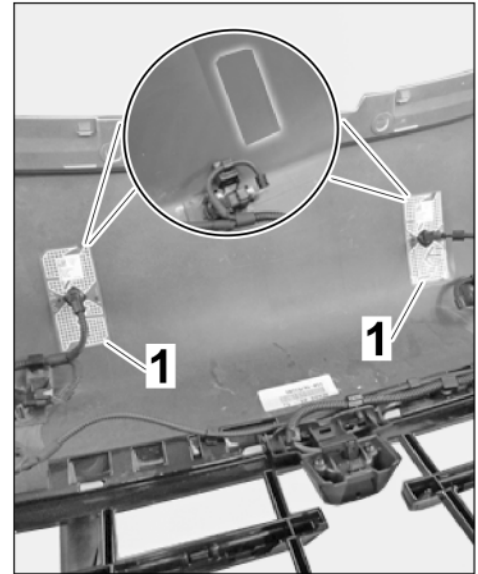


Figure 27

3.7.1 Remove front camera from (standard) front apron and position it in front camera holder (⇒ *Figure 28*).

1 – Front camera
2 – Front camera holder

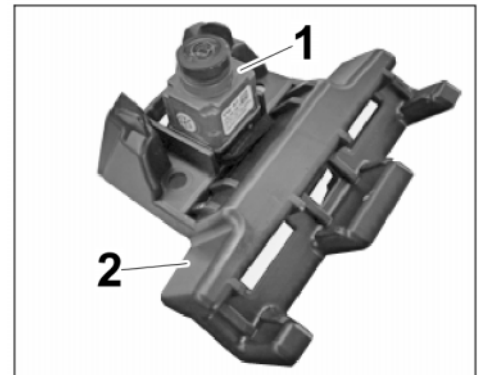


Figure 28

3.7.2 Install camera cover on front camera holder. The locking lug must engage securely (⇒ *Figure 28*).

1 – Camera cover
2 – Front camera holder

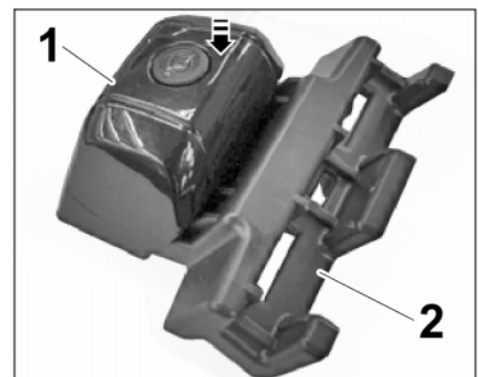


Figure 29

3.7.3 Screw in and tighten screws:
**Tightening torque 2.5 Nm
 (1.75 ftlb.) +/- 10 %.**

- 1 – Countersunk screw, M6 x 20

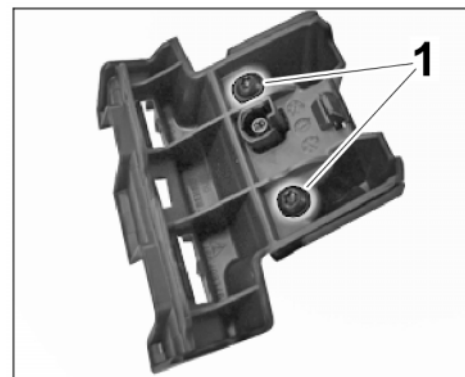


Figure 30

3.7.4 Clip front camera holder into center grille (radiator grille) (⇒ Figure 31).

- 1 – Front camera holder
- 2 – Center grille (radiator grille)

3.7.5 Connect electric plug connection for front camera.

3.8 Complete the center grille (radiator grille) and auxiliary headlights.

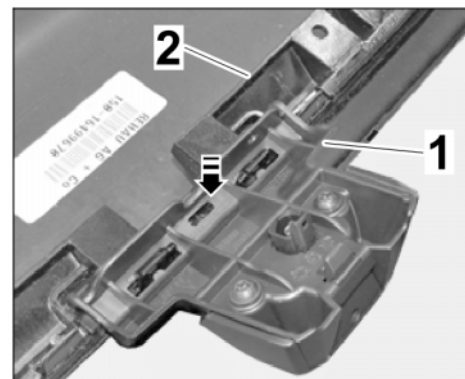


Figure 31



Information

A one or two-piece radiator grille vane is used, depending on vehicle equipment.

3.8.1 Clip vane at the left and right onto the center grille (radiator grille) (⇒ Figure 32).

- 1 – Vane, right
- 2 – Center grille (radiator grille), right-hand side

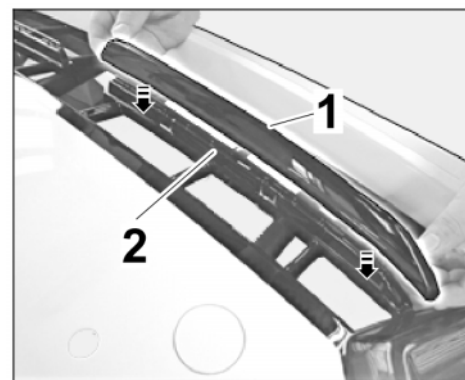


Figure 32

3.8.2 Stick decorative insert into auxiliary headlights (⇒ *Figure 33*).

- 1 – Decorative insert
- 2 – Groove on auxiliary headlight

- Clean bonding area to remove dust and grease.
- Pull protective film off the adhesive tape.
- Stick decorative insert into the groove (⇒ *Figure 33-2-*) on the auxiliary headlights and outer air grille.

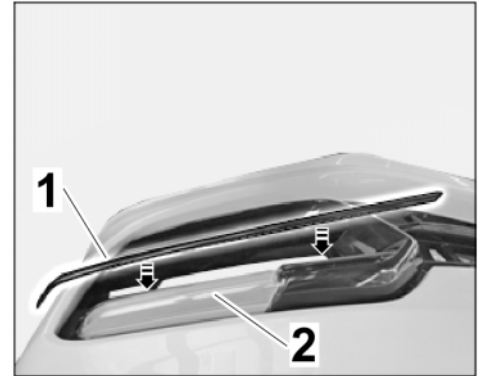


Figure 33

3.9 Install front number plate cover. ⇒ *Workshop Manual '668319 Removing and installing number plate cover'*

4 Convert front of vehicle for new SportDesign front apron

4.1 Replace front air guide

4.1.1 Remove standard air guide at the front (cooling-air flaps) and install new air guide. ⇒ *Workshop Manual '192419 Removing and installing front air guide (cooling-air flaps)'*

4.1.2 **ONLY** for Panamera V6/V8 biturbo (DJ7/D09/D29/DW4):
Remove standard front air guide at the side (ahead of charge-air cooler) at the left and right and install new front air guide at the side. ⇒ *Workshop Manual '211019 Removing and installing front air guide at the side (ahead of charge-air cooler)'*

4.2 Replace impact absorber

4.2.1 Release and disconnect electric plug connections on pedestrian protection actuator (⇒ *Figure 34*).
⇒ *Workshop Manual '696719 Removing and installing pedestrian protection sensor (hose sensor)'*

- 1 – Pedestrian protection actuator
- 2 – Plug connection

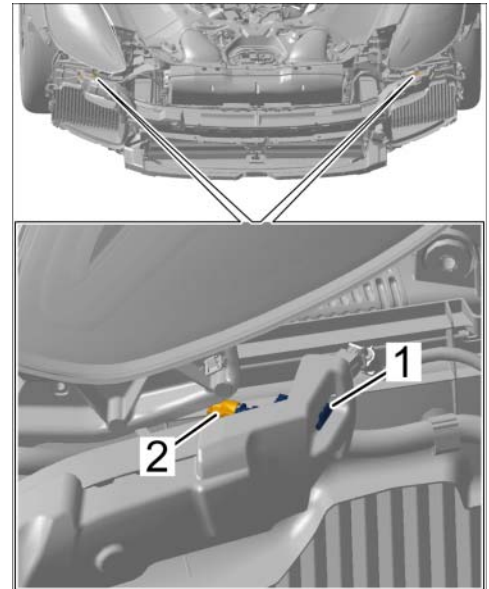


Figure 34

4.2.2 Remove standard impact absorber from the bumper.

- 3 – Impact absorber

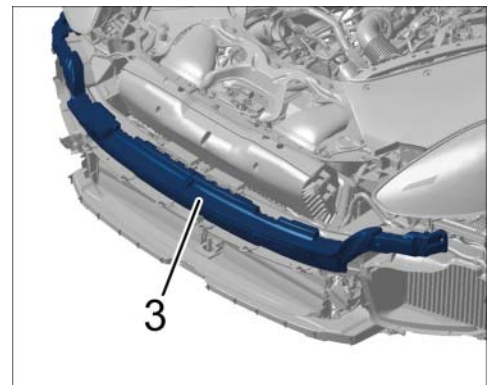


Figure 35

4.2.3 Remove pedestrian protection sensor (hose sensor) from impact absorber (⇒ *Figure 36*).

- 3** – Pedestrian protection (hose sensor)

4.2.4 The new impact absorber is installed in reverse order.

5 Install SportDesign front apron. ⇒ *Workshop Manual '631519 Removing and installing front apron'*

5.1 **ONLY** for vehicles with ACC High with InnoDrive (3V1) or Automatic distance control (8T3):

5.1.1 Adjust distance measuring sensor control unit. ⇒ *Workshop Manual '278515 Adjusting control unit for distance measuring sensor'*

5.1.2 Install ACC trim into each air grille (left/right) (⇒ *Figure 37*).

- 1** – ACC trim
2 – Grille (left)

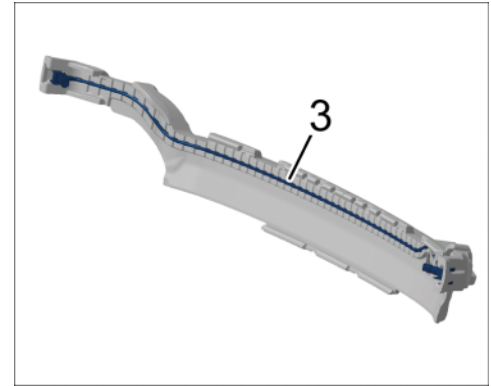


Figure 36

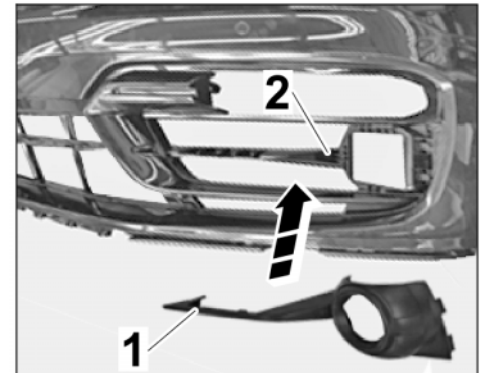


Figure 37

Make sure that the locking lugs engage correctly (⇒ *Figure 38*).

- 1** – ACC trim
2 – Locking lug

6 **ONLY** for SportDesign package Carbon (2D3):
Convert side air intake grille (wing trim)

6.1 Remove wheels from front axle. ⇒ *Workshop Manual '440519 Removing and installing wheel'*

6.2 Remove side air intake grille and install new carbon-fiber air intake grille. ⇒ *Workshop Manual '665619 Removing and installing side air intake grille'*

6.3 Install wheels on front axle. ⇒ *Workshop Manual '440519 Removing and installing wheel'*

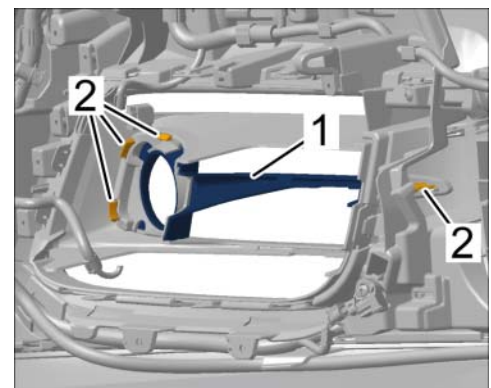


Figure 38

7 **ONLY** for SportDesign sill cover (VR4):

Convert sill cover

7.1 Remove standard door entry guard. ⇒ *Workshop Manual '663119 Removing and installing door entry guard'*

7.2 To prevent damage to the paintwork on the door sill, mask the lever with adhesive tape (⇒ *Figure 39-2*).

- 1 – Clip
- 2 – Adhesive tape
- 3 – Lever

Carefully remove clip from the door sill using a lever (⇒ *Figure 39*).

7.3 Complete the new SportDesign sill cover

7.3.1 Install new clip in the sill cover (⇒ *Figure 40*).

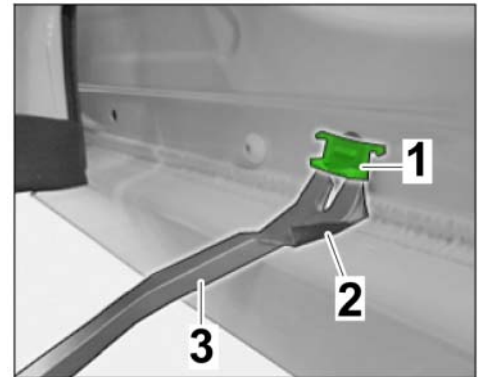


Figure 39

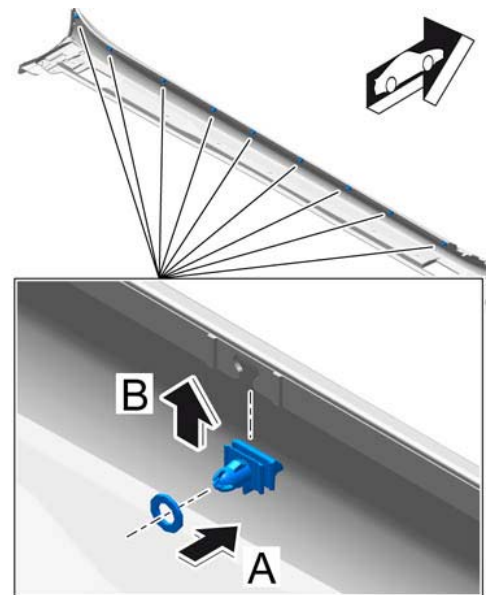


Figure 40

- 7.3.2 Install rear rubber lip (spoiler) on the sill cover and slide it in direction of arrow (\Rightarrow *Figure 41 -Arrow-*) until the rubber lip engages securely.

- 1 – Rear rubber lip (spoiler)
- 2 – Sill cover
- 3 – Tapping screw

Secure rubber lip (spoiler) with a tapping screw (\Rightarrow *Figure 41*).

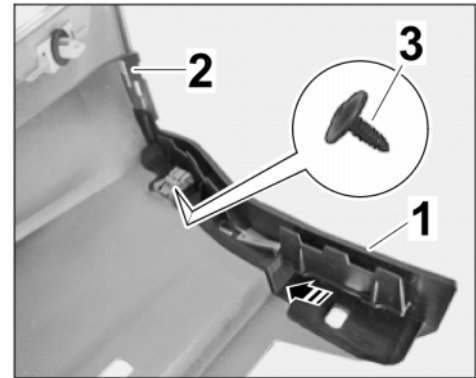


Figure 41

- 7.3.3 Install retaining lugs on the trim at the wheel opening into the side skirt and push them down (\Rightarrow *Figure 42 -a-*).

- 1 – Trim on wheel opening
- 2 – Retaining lugs

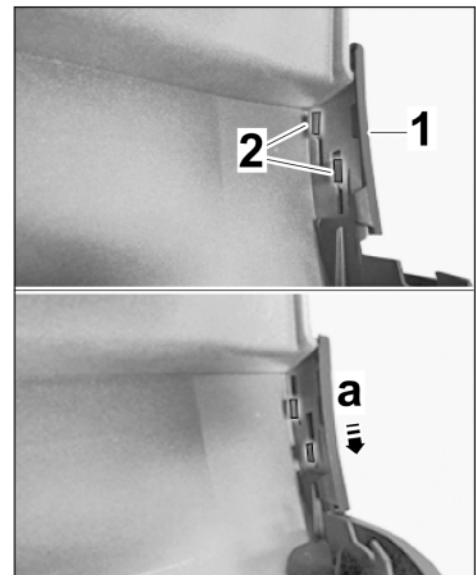


Figure 42

- 7.3.4 Install speed nut at the front of the sill cover (\Rightarrow *Figure 43*).

- 1 – Speed nut, ST4.8

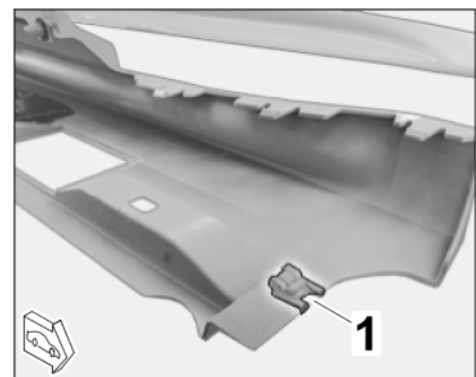


Figure 43



Information

Take installation position of acoustic film and absorber from the standard sill cover.

7.3.5 Clean bonding surfaces to remove all dust and grease.

- 1 – Protective film on back of acoustic film
- 2 – Acoustic film
- 3 – Protective film on front of acoustic film
- 4 – Absorber

- Pull protective film off the back of the acoustic film (⇒ *Figure 44 -inset, top-*).
- Affix acoustic film on Sport-Design sill cover (⇒ *Figure 44 -top-*).
- Pull protective film off the front of the acoustic film (⇒ *Figure 44 -inset, bottom-*).
- Stick absorber on the acoustic film (⇒ *Figure 44 -bottom-*).

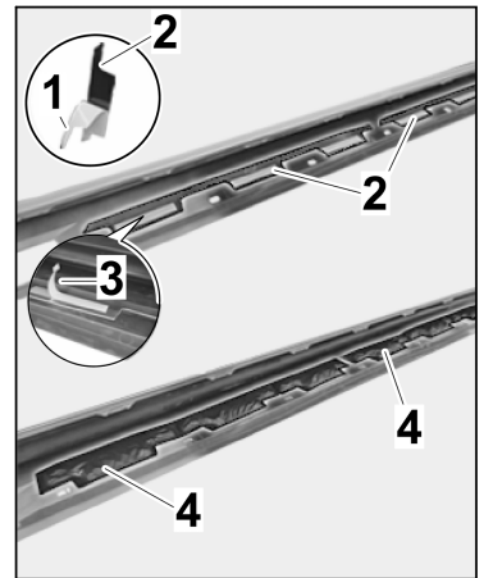


Figure 44

7.4 Install SportDesign sill cover. ⇒ *Workshop Manual '663119 Removing and installing door entryguard'*

NOTICE

Voltage drop

- Risk of irreparable damage to control unit
 - Risk of damage to control unit
 - Fault entries in the control unit
 - Coding in the control unit is aborted
 - Malfunctions in control unit, even during programming
- ⇒ Switch off the ignition and remove the ignition key before disconnecting the control unit.
- ⇒ Ensure that the power supply is not interrupted during programming.
- ⇒ Connect a battery charger with a current rating of at least Nominal value 90 A to the vehicle battery.

Coding: 8 Enter SportDesign package (2D1/2D3/2D5) in the vehicle data

8.1 Preparatory work – Coding

NOTICE

Control unit programming will be aborted if the Internet connection is unstable.

- **An unstable Internet connection can interrupt communication between PIWIS Tester III and the vehicle communication module (VCI). As a result, control unit programming may be aborted.**

⇒ **During control unit programming, always connect PIWIS Tester III to the vehicle communication module (VCI) via the USB cable.**

8.1.1 Connect **9900 - PIWIS Tester 3** to the vehicle and switch it on.

8.1.2 Switch on ignition **AND** hazard warning lights on the vehicle.

**Information**

The **9900 - PIWIS Tester III** instructions take precedence since the description may be different with later Tester releases.

The procedure described here has been structured in general terms; different text or additions may appear on the **9900 - PIWIS Tester III**.

8.1.3 Select the "Diagnostics" menu item on the PIWIS Tester.

8.1.4 If **9900 - PIWIS Tester 3** is connected correctly, a connection to the vehicle will be established: "Model line 971" is detected.

**Information**

The function is **ONLY** available when the Tester is online!

8.2 Enter the new vehicle equipment in the vehicle data using "PIWIS Online"

8.2.1 Select the function "Maintenance of vehicle data with PIWIS ONLINE" in the "Model line-specific tests and campaigns" menu item.

A message appears informing you that the "Actual" (vehicle) data and "Required" (PIWIS Online) data will be compared.

Press •F12" to continue.

8.2.2 Confirm the message "The vehicle data was compared with PIWIS Online. Significant differences were found" with •F12" .

8.2.3 Look for the option "Trim CD value" in the "Family" column.

Select the relevant option "2D1 - Sport Design package", "2D3 - Sport Design package (Carbon)" or "2D5 - Sport Design package Black" from the drop-down menu in the "Value" column. Press •F12" to continue

- 8.2.4 A table containing the coding value and the columns "new value" and "old value" is displayed in the overview. Press •F8" to continue.
- 8.2.5 Data is then written/stored. The following messages appear one after the other:
- Transferring vehicle data to PIWIS Online.
 - Writing and transferring vehicle data to the vehicle.
 - Vehicle order was written successfully.
 - A check was performed in order to check whether control units have to be coded or programmed as a result of the changes that were made.
- 8.2.6 Press •F10" to open the log. Check that the selected vehicle equipment has been entered and close the log.
- 8.3 Code/program the new vehicle equipment.
- 8.3.1 Confirm the table containing a list of control units that must be coded/programmed by pressing •F12" .
- 8.3.2 Individual data records will be loaded, depending on the number of control units to be coded/programmed.
- Wait until the message "Creating backup documentation. Please wait..." and "Coding was completed successfully" appears. Press •F12" to continue.
- Repeat the process for other control units if necessary.
- 8.3.3 Wait until the message "Adaptation of the control units is complete." appears and check the coding status of the control units in the table that is displayed.
- Continue by pressing •F12" to return to the control unit overview.
- 8.4 Read out the fault memories of all systems, work through any existing faults and erase the fault memories. ⇒ *Workshop Manual '0X03IN Diagnostic maintenance: diagnostic system and maintenance inter...'*
- 8.5 Switch off ignition and disconnect **9900 - PIWIS Tester 3**.

66 99 23 00: Installing complete SportDesign package (2D1/2D5)

Labor time: **642 TU**

Includes: Replacing front apron and side skirts
Removing and installing rear apron, partly disassembling rear apron, replacing rear skirt

Without: Adjusting distance measuring sensor control unit

6

Panamera (971)

6699 ENU 17/20

Installation and Conversion Instructions

- 66 99 23 05: Installing complete SportDesign package Carbon (2D3) Labor time: **839 TU**
Includes: Replacing front apron and side skirts
Replacing wing trim (left/right)
Removing and installing rear apron, partly disassembling rear apron, replacing rear skirt
Without: Adjusting distance measuring sensor control unit
- 66 99 23 10: Installing SportDesign package (2D1/2D5) Labor time: **523 TU**
Includes: Replacing front apron
Removing and installing rear apron, partly disassembling rear apron, replacing rear skirt
Without: Replacing side skirts and adjusting distance measuring sensor control unit
- 66 99 23 15: Installing SportDesign package (2D3) Labor time: **720 TU**
Includes: Replacing front apron
Replacing wing trim (left/right)
Removing and installing rear apron, partly disassembling rear apron, replacing rear skirt
Without: Replacing side skirts and adjusting distance measuring sensor control unit
- 66 99 61 51: Painting complete SportDesign package Labor time: **560 TU**
Includes: Painting new parts, Step 1:
Painting front apron, towing lug cover, front spoiler, center grille, decorative insert at left/right, vane at left/right, ACC trim, vane on center grille, vane (C blade) at left/right, RTV cover, grille at left/right, side skirts, rear skirt, new diffuser.
Material units (MU): 31
- 66 99 61 61: Painting SportDesign package new parts Labor time: **400 TU**
Includes: Painting new parts, Step 1:
Painting front apron, towing lug cover, front spoiler, center grille, decorative insert at left/right, vane at left/right, ACC trim, vane on center grille, vane (C blade) at left/right, RTV cover, grille at left/right, rear skirt, new diffuser.
Material units (MU): 23 MU
Without: Painting sill covers.

- 51 01 71 05: Preparing body paintwork Labor time: **130 TU**
Includes: Order-based
Painting new parts, Step 1
Plastic part
- 27 85 15 50: Adjusting distance measuring sensor control unit Labor time: **84 TU**
Includes: Only for vehicles with ACC.

Important Notice: Technical Bulletins issued by Porsche Cars North America, Inc. are intended only for use by professional automotive technicians who have attended Porsche service training courses. They are written to inform those technicians of conditions that may occur on some Porsche vehicles, or to provide information that could assist in the proper servicing of a vehicle. Porsche special tools may be necessary in order to perform certain operations identified in these bulletins. Use of tools and procedures other than those Porsche recommends in these bulletins may be detrimental to the safe operation of your vehicle, and may endanger the people working on it. Properly trained Porsche technicians have the equipment, tools, safety instructions, and know-how to do the job properly and safely. Part numbers listed in these bulletins are for reference only. The work procedures updated electronically in the Porsche PIWIS diagnostic and testing device take precedence and, in the event of a discrepancy, the work procedures in the PIWIS Tester are the ones that must be followed.

© 2021 Porsche Cars North America, Inc.