

April 27, 2021

Version 1

Warranty Extension: 2016-20 HR-V CVT Premature Belt Deterioration

AFFECTED VEHICLES

Year	Model	Trim	VIN Range
2016-20	HR-V (CVT models only)	ALL	Check the iN VIN status for eligibility.

BACKGROUND

Due to the possibility of early deterioration of the Continuous Variable Transmission (CVT) drive belt, American Honda is extending the warranty coverage on these CVT models to 7 years from the original date of purchase or 150,000 miles, whichever comes first. If the PCM software was previously updated in service bulletin 21-046, *Product Update: 2016-20 HR-V Software Update and CVT Inspection*, the warranty extension applies, since the CVT primary drive belt is now a OBD-monitored part due to the addition of DTC P271E.

CUSTOMER NOTIFICATION

Owners of affected vehicles will be sent a notification of this campaign.

Do an iN VIN status inquiry to make sure the vehicle is shown as eligible.

Some vehicles affected by this campaign may be in your new or used vehicle inventory. Repair these vehicles before they are sold.

CORRECTIVE ACTION

Replace the Continuously Variable Transmission (CVT).

NOTE: Update the Continuously Variable Transmission (CVT) PCM software, and do the CVT inspection before doing this repair. Refer to service bulletin 21-046, *Product Update: 2016-20 HR-V Software Update and CVT Inspection*.

PARTS INFORMATION

Part Name	Part Number	Quantity
Transmission Assembly	06200-52P-A02RM	1
Transmission Assembly	06200-52N-A04RM	1
Transmission Assembly	06200-52P-A70RM	1

NOTE: After the vehicle was updated and the CVT failed the magnet inspection in service bulletin 21-046, *Product Update: 2016-20 HR-V Software Update and CVT Inspection*, you must contact American Honda Techline to order a replacement transmission. You will need to have the following information:

- Provide a clear picture of the magnet sticking on the CVT oil pan at the inspection area (this picture should have been taken during the CVT magnet inspection).
- Drain the CVT fluid through a paint strainer as shown below. Provide a clear picture of the inside of the strainer showing any contamination.
- Provide a clear picture of the magnet on the end of the oil pan drain plug.

CUSTOMER INFORMATION: The information in this bulletin is intended for use only by skilled technicians who have the proper tools, equipment, and training to correctly and safely maintain your vehicle. These procedures should not be attempted by "do-it-yourselfers," and you should not assume this bulletin applies to your vehicle, or that your vehicle has the condition described. To determine whether this information applies, contact an authorized Honda automobile dealer.

REQUIRED MATERIALS

Materials	Part Number	Quantity
Honda HCF-2 Continuously Variable Transmission Fluid (55-gallon drum)	08200-9020	8 quarts (AWD)
Honda HCF-2 Continuously Variable Transmission Fluid (1-quart bottle)	08200-HCF2	7 quarts (FWD)

WARRANTY CLAIM INFORMATION

NOTE:

- Check the emissions table on the iN to verify the applicable emissions coverage.
- Use the appropriate operation number for the applicable warranty coverage (emissions warranty or warranty extension).

Powertrain and Emissions Warranty Coverage Inquiry				
Identification VAT0031				
Inquiry Information				
VIN	Customer State CA - California			
Description HR-V 5DR 2WD EX	Year 2016	Model RU5H5GJW	Emission Type KA	
Item	Part Number	Description	Powertrain Warranty (Months/Miles)	Emission Warranty (Months/Miles)
1	20031-52P-A02	TRANSMISSION (DOT)	60/ 60,000	96/ 80,000

Use the information below if the warranty information is covered by the emissions warranty of 8 years or 80,000 miles.

Operation Number	Description	Flat Rate Time	Defect Code	Symptom Code	Template ID	Failed Part Number
2181CU	2016-20 2WD Replace Transmission 8/80 Emissions Warranty (Includes DTC clear, alignment & VSA sensor learn)	5.4 hr.	00504	03214	A21047A	20031-52N-A02
	2016-18 AWD Replace Transmission 8/80 Emissions Warranty (Includes DTC clear, alignment & VSA sensor learn)	5.8 hr.			A21047B	20031-52P-A02
	2019-20 AWD Replace Transmission 8/80 Emissions Warranty (Includes DTC clear, alignment & VSA sensor learn)				A21047C	20031-52P-A70

Use the information below if the warranty information is covered for 7 years or 150,000 miles.

Operation Number	Description	Flat Rate Time	Defect Code	Symptom Code	Template ID	Failed Part Number
2181CT	2016-20 2WD Replace Transmission 7/150 Warranty Extension (Includes DTC clear, alignment & VSA sensor learn)	5.4 hr.	6M900	JAT00	A21047D	20031-52N-A02
	2016-18 AWD Replace Transmission 7/150 Warranty Extension (Includes DTC clear, alignment & VSA sensor learn)	5.8 hr.			A21047E	20031-52P-A02
	2019-20 AWD Replace Transmission 7/150 Warranty Extension (Includes DTC clear, alignment & VSA sensor learn)				A21047F	20031-52P-A70

Skill Level: Repair Technician

INSPECTION PROCEDURE AND CONFIRMATION OF FAILED CVT

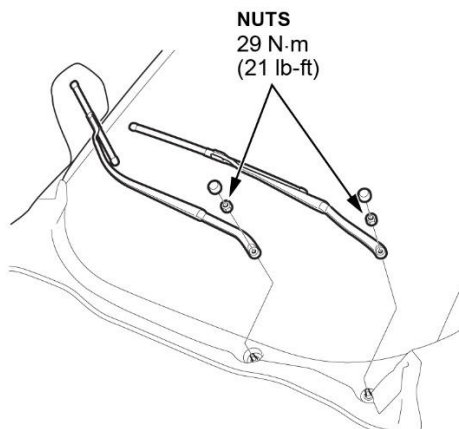
The transmission inspection utilizes a special magnet to detect any metal fragments that may have been shed from the CVT belt. These fragments will collect in the oil pan. The inspection is done by placing a clear template on the CVT oil pan. Refer to service bulletin 21-046, *Product Update: 2016-20 HR-V Software Update and CVT Inspection*.

If the PCM was updated and the CVT failed the magnet inspection on service bulletin 21-046, *Product Update: 2016-20 HR-V Software Update and CVT Inspection*, contact Techline to order a replacement transmission. You will need to have the following information:

- Provide a clear picture of the magnet sticking on the CVT oil pan at the inspection area (this picture should have been taken during the CVT magnet inspection).
- Drain the CVT fluid through a paint strainer as shown below. Provide a clear picture of the inside of the strainer showing any contamination.
- Provide a clear picture of the magnet on the end of the oil pan drain plug.

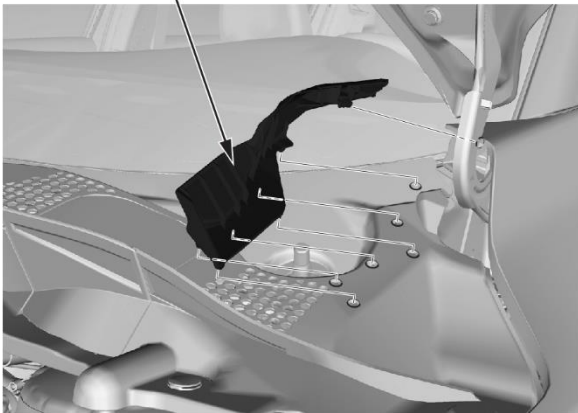
REPAIR PROCEDURE

1. Remove wiper arms and cowl cover.



2. Remove the left and right front fender covers.

FRONT FENDER COVER

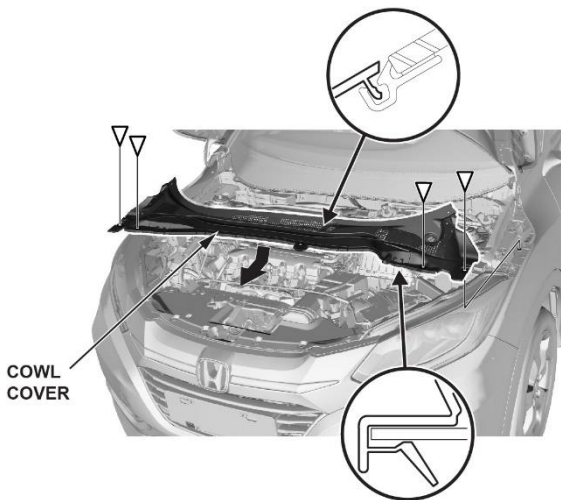


3. Remove the hood rear seal.

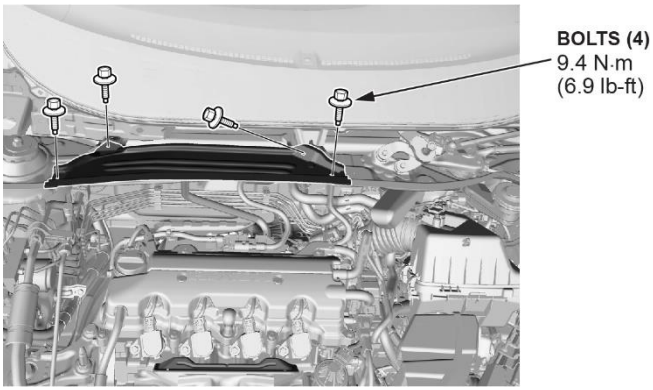
HOOD REAR SEAL



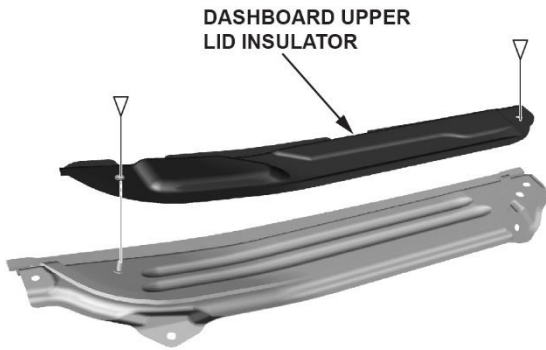
4. Remove the cowl cover.



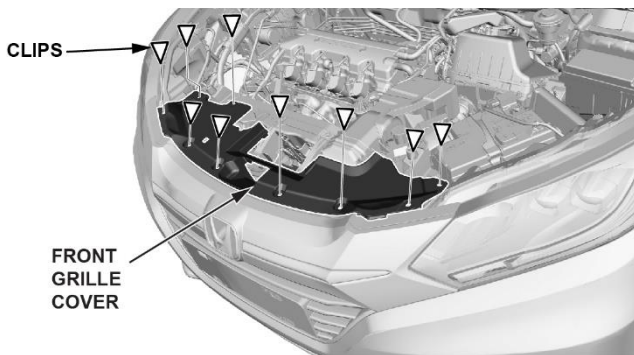
5. Remove the dashboard upper lid.



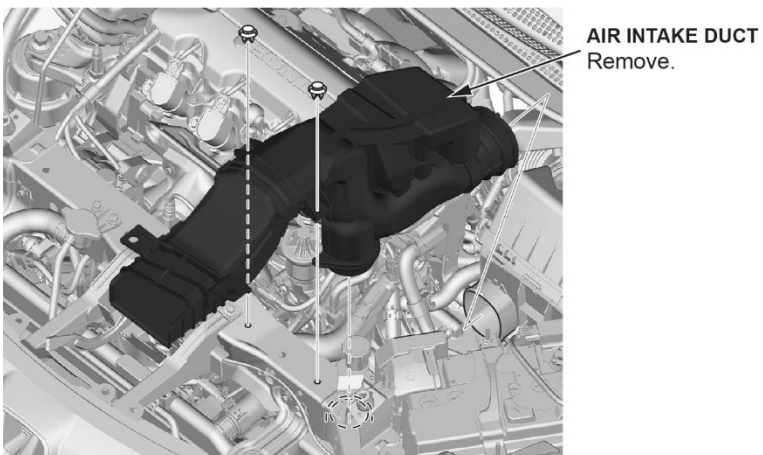
6. If necessary, remove the dashboard upper lid insulator.



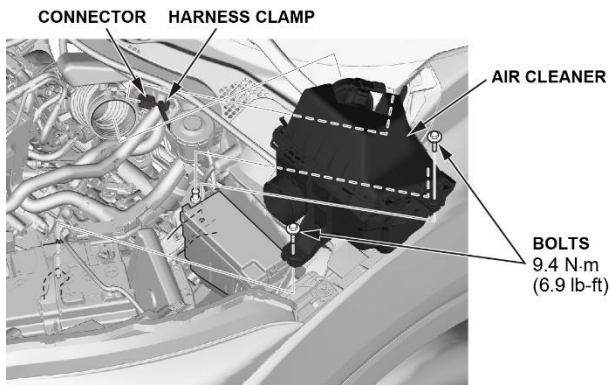
7. Remove the front grille cover.



8. Remove the air intake duct.

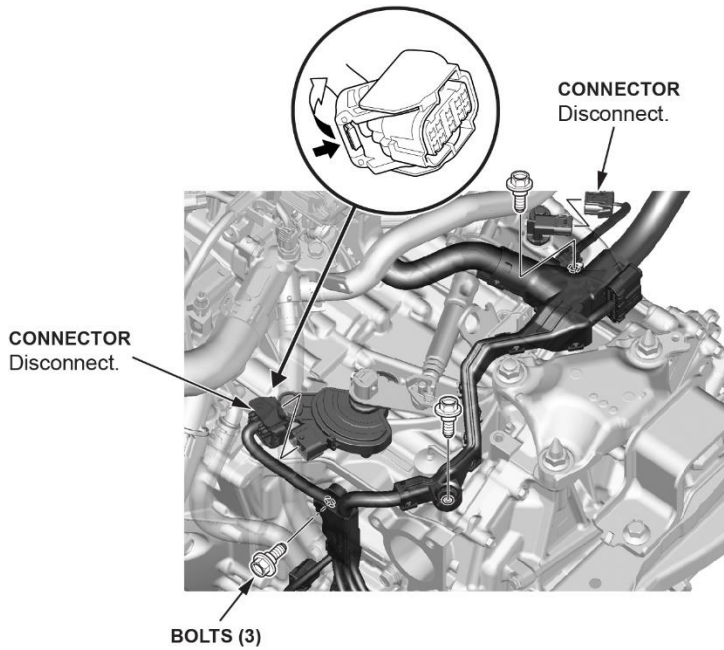


9. Remove the air cleaner.



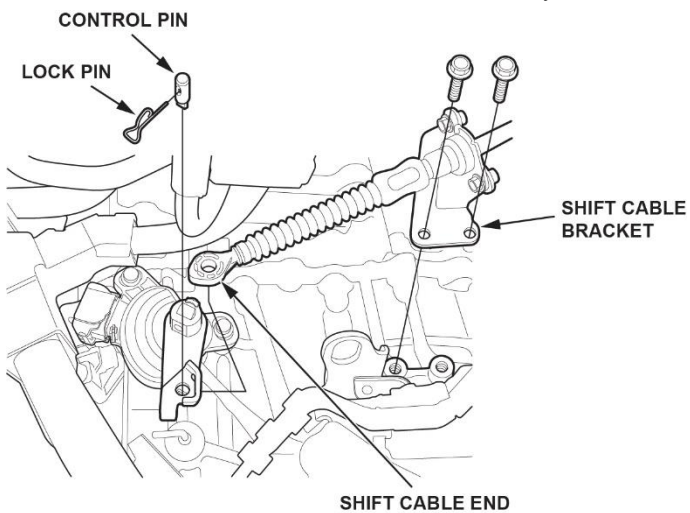
10. Disconnect and remove the 12-volt battery. Refer to the service information.

11. Remove the bolts and disconnect the connectors.

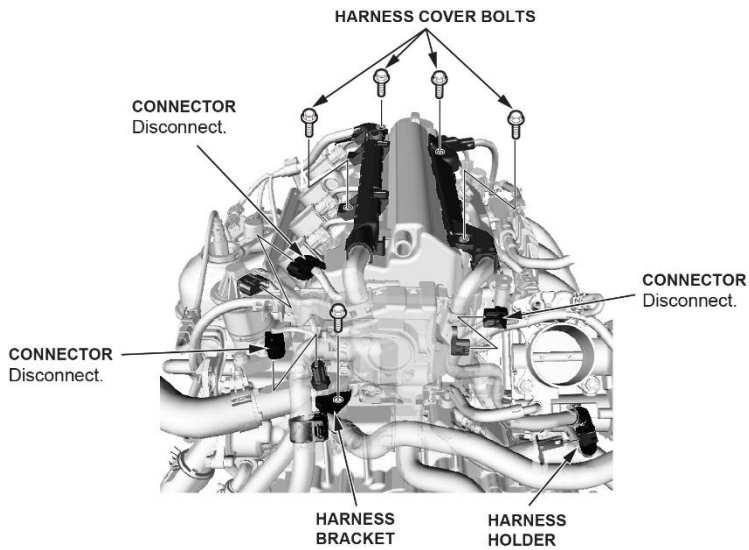


12. Remove the lock pin, control pin, shift cable bracket, shift cable, and engine wire harness.

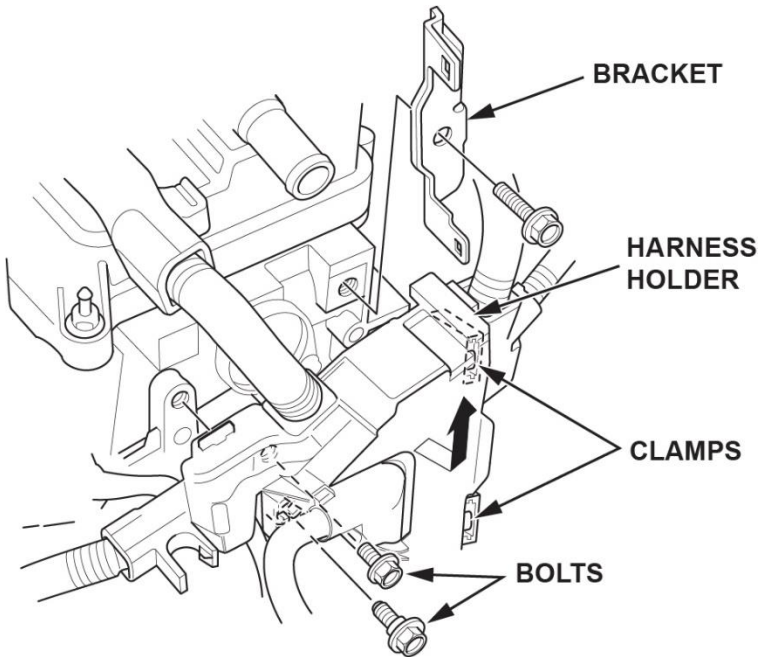
NOTE: Do not bend the shift cable excessively.



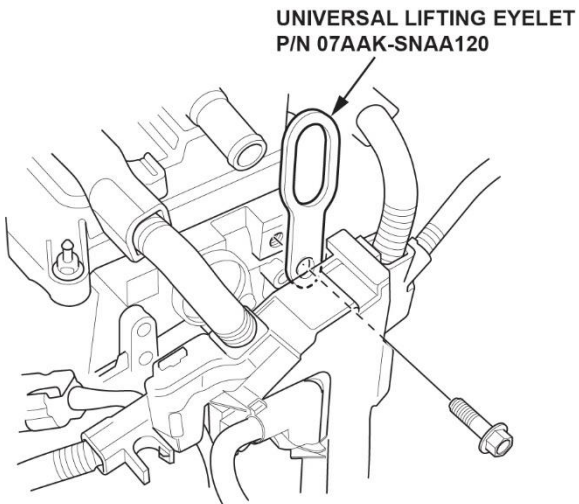
13. Remove the engine cover, harness cover bolts, harness bracket, harness holder, disconnect the connectors.



14. Remove the bolts, clamps, and move the harness holder, then remove the bracket.

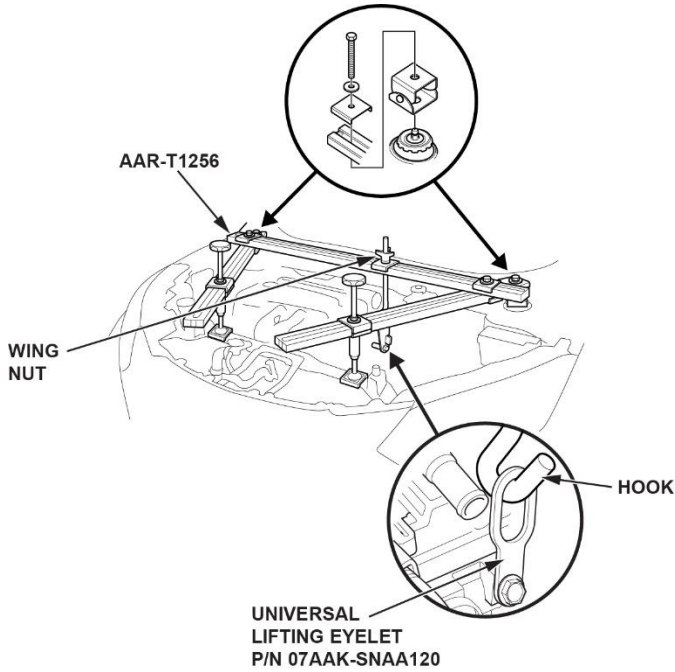


15. Attach the universal lifting eyelet to the cylinder head.

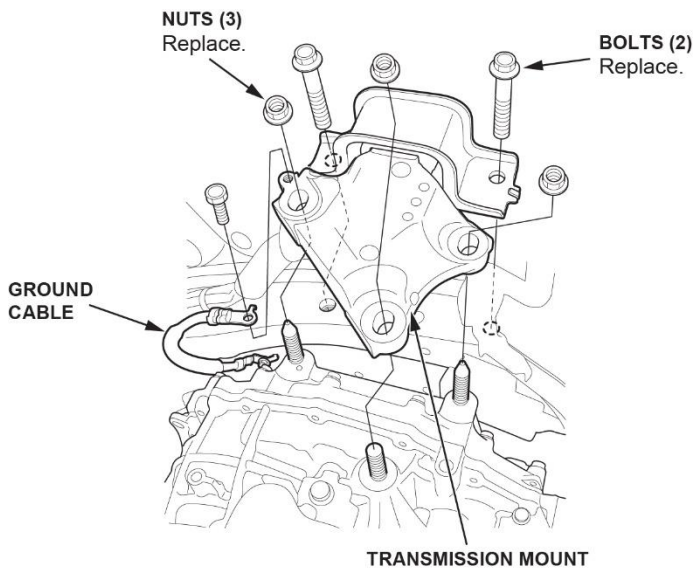


16. Install the engine support hanger, then attach the hook to the slotted hole in the universal lifting eyelet. Tighten the wing nut by hand and support the engine/transmission.

NOTE: Be careful when working around the windshield.



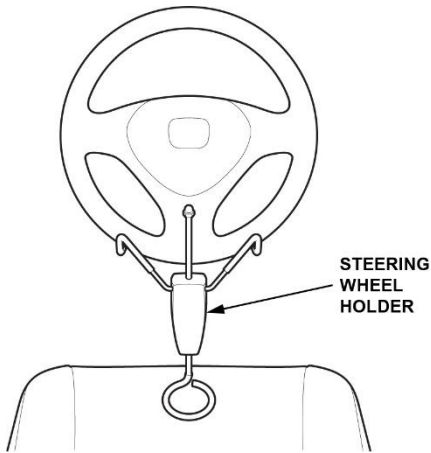
17. Remove the ground cable and the transmission mount.



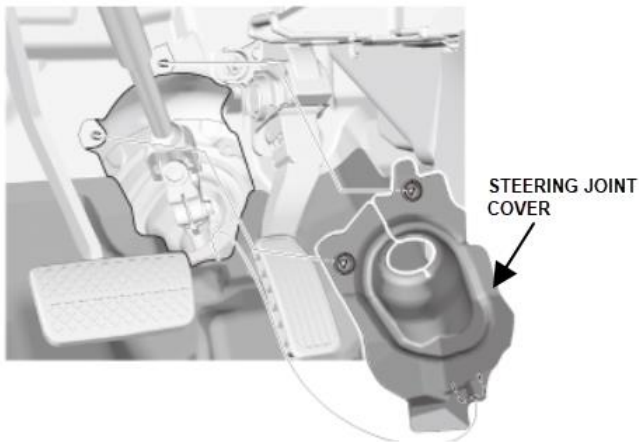
18. Raise up the vehicle and drain the transmission fluid. Refer to the service information.

19. Remove the front wheels. Refer to the service information.

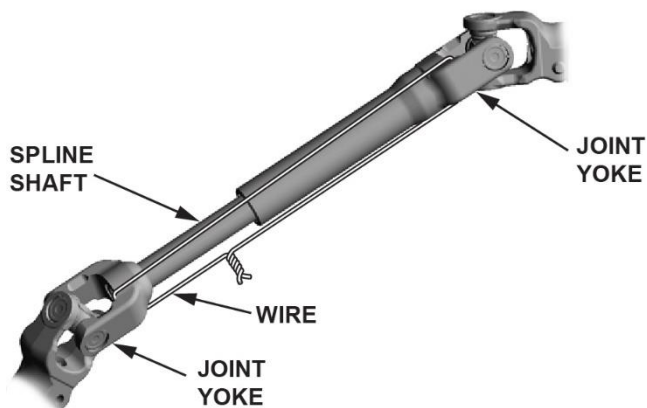
20. Set the steering column to the center tilt position and to the center telescopic position. Center the steering wheel spoke angle and install a steering wheel holder.



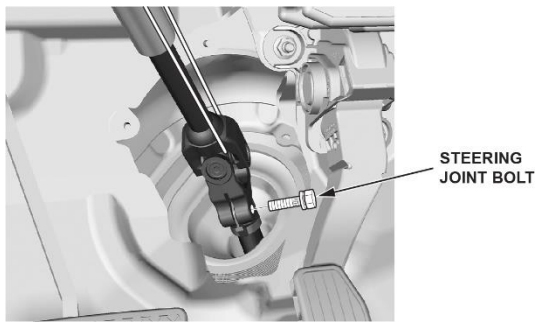
21. Remove the steering joint cover.



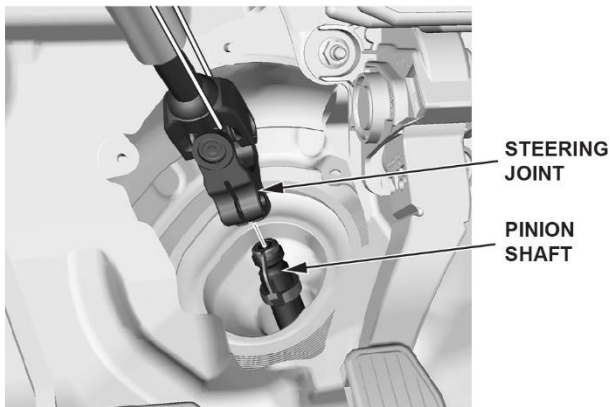
22. Hold the spline shaft on the column with a piece of wire between the joint yoke of the spline and the joint yoke of the spline tube to prevent the lower spline shaft from coming out.



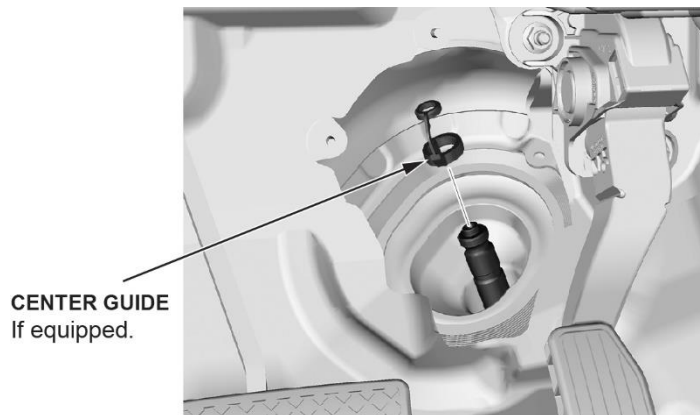
23. Remove the steering joint bolt.



24. Disconnect the steering joint from the pinion shaft.



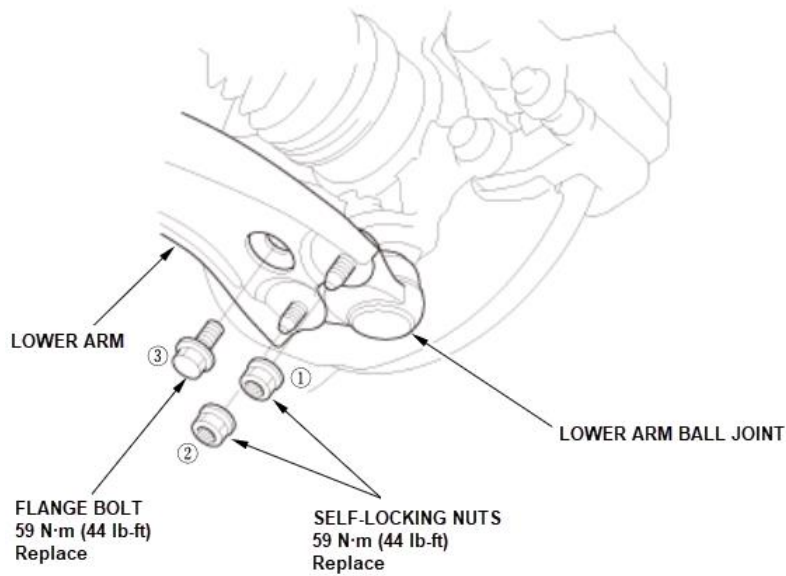
25. Remove the center guide (if equipped) and discard it.



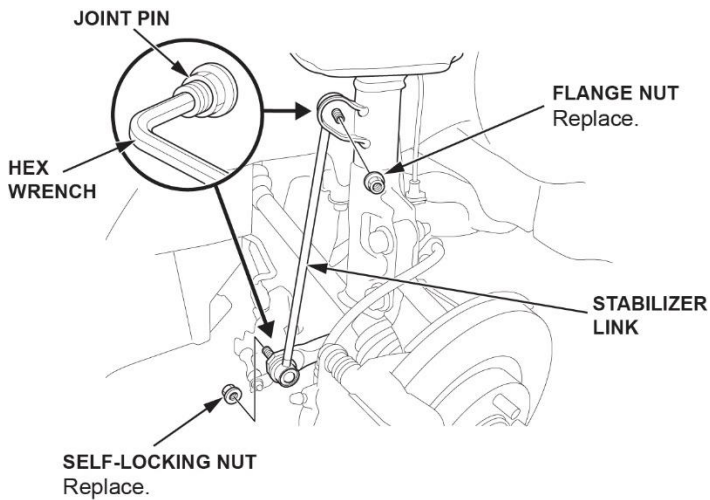
26. Remove the flange bolt and self-locking nuts, then disconnect the lower arm from the lower arm ball joint.

NOTE:

- Use new self-locking nuts and the flange bolt during reassembly.
- Tighten the self-locking nuts and the flange bolt in the sequence shown.



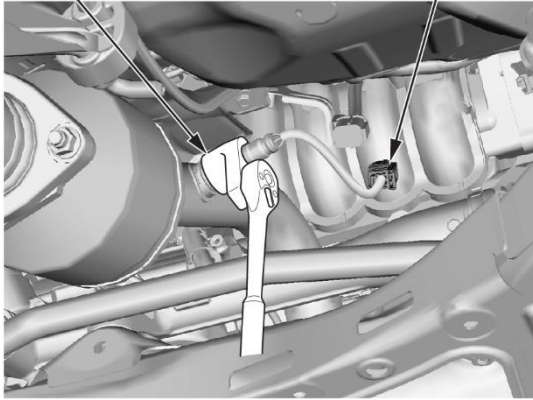
27. Remove the self-locking nut and the flange nut while holding the joint pin with a hex wrench and remove the stabilizer link.



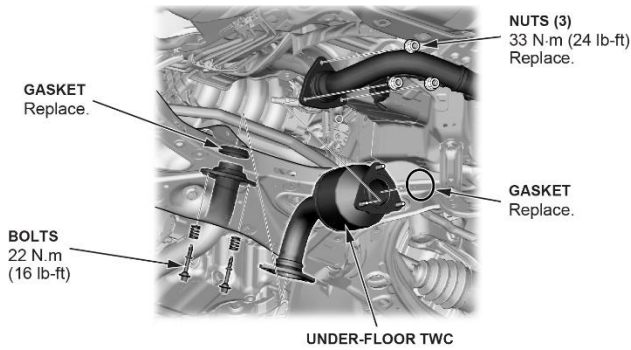
28. Disconnect the connector and remove the secondary HO2S.

SECONDARY HO2S
45 N·m (33 lb-ft)

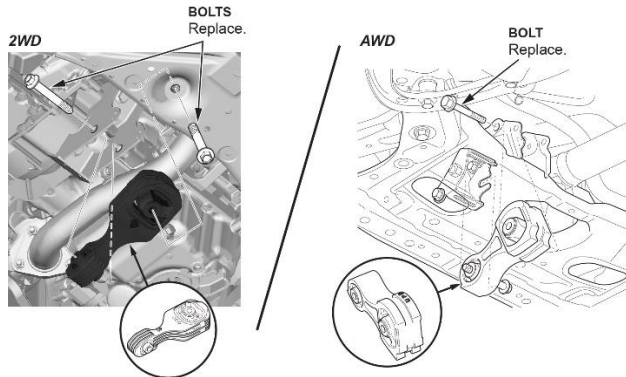
CONNECTOR



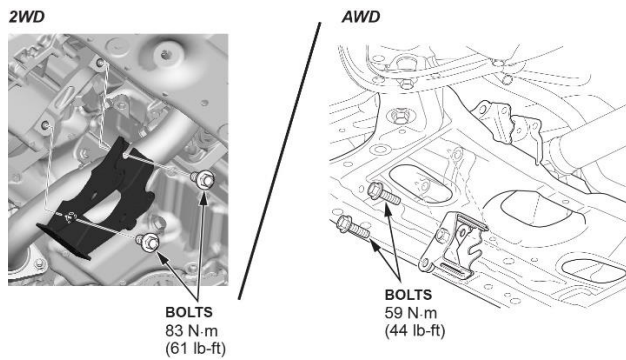
29. Remove the under-floor TWC and the gaskets.



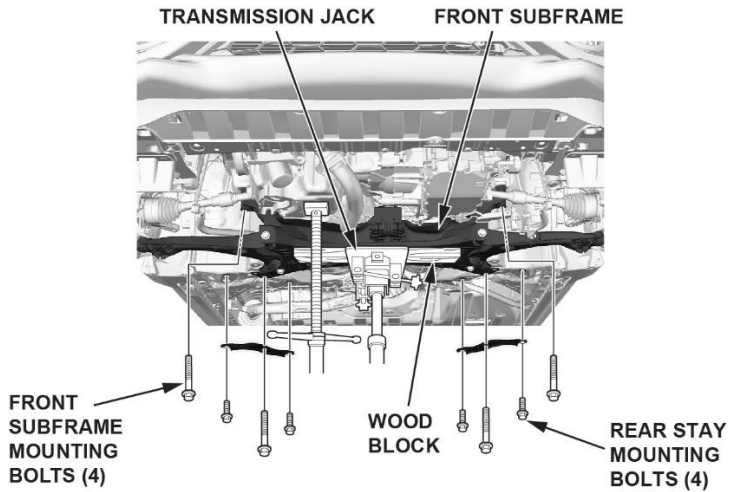
30. Lift and support the engine with a transmission jack and a wood block under the oil pan and remove the torque rod.



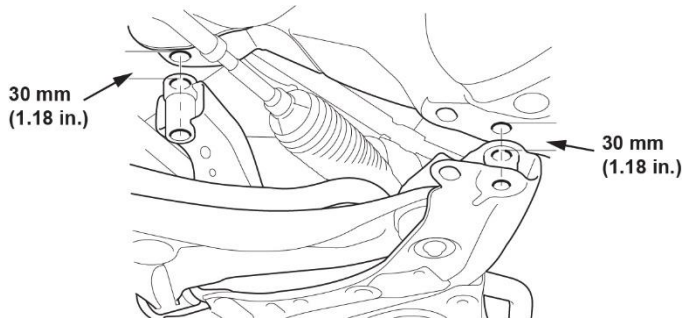
31. Remove the torque rod bracket as needed.



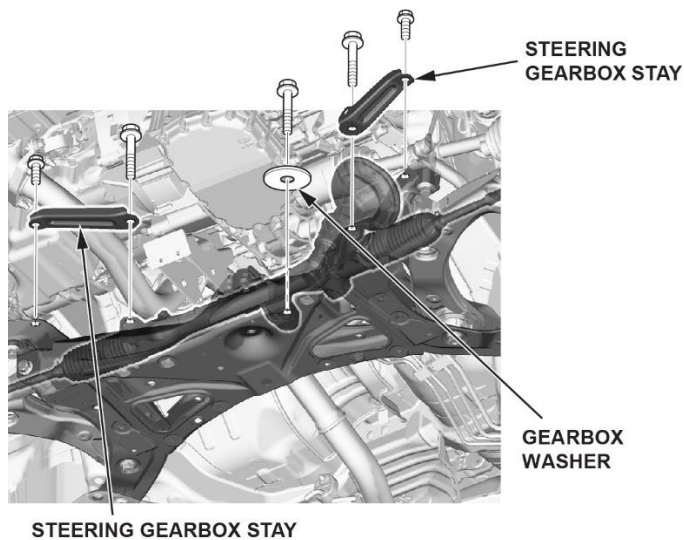
32. Attach a wood block (A) to the lower center of the front subframe, attach a transmission jack (C) to the center of the wood block. Support the front subframe securely by raising the transmission jack, remove the front subframe mounting bolts (D) and the subframe rear stay mounting bolts (E).



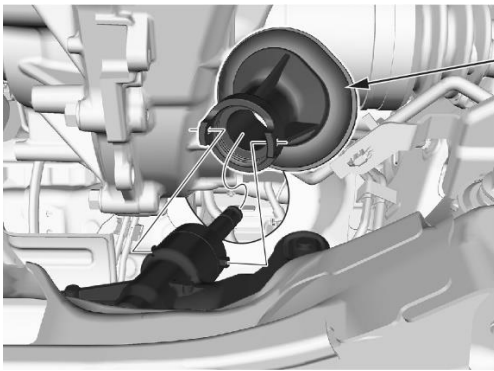
33. Lower the jack slowly until the subframe of the body has dropped about **30 mm**.
NOTE: Do not lower the subframe more than required.



34. Remove the steering gearbox stays and remove the gearbox washer.



35. Remove the pinion shaft grommet.

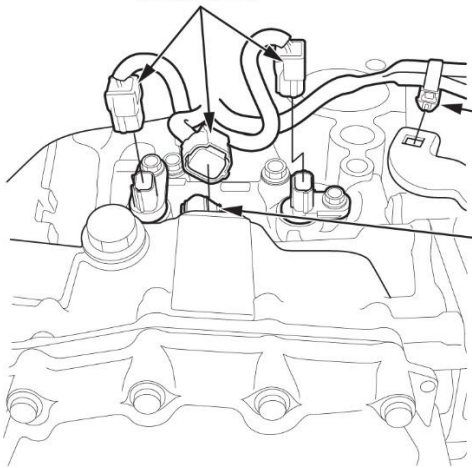


PINION SHAFT
GROMMET

36. Disconnect the connectors and remove the harness clamp.

NOTE: To prevent damage, cover the solenoid wire harness connector using a shop towel.

CONNECTORS
Disconnect.

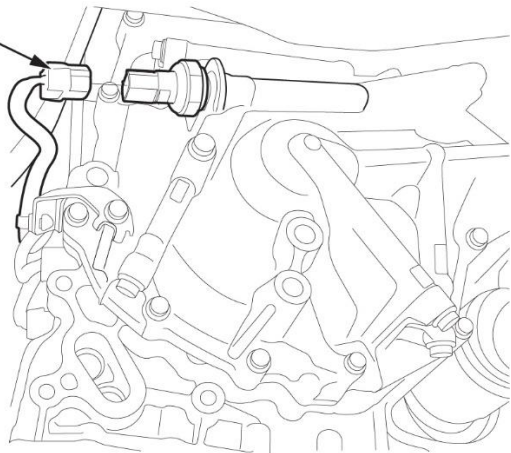


HARNESS
CLAMP

WIRE HARNESS
CONNECTOR

37. Disconnect the connector.

CONNECTOR
Disconnect.

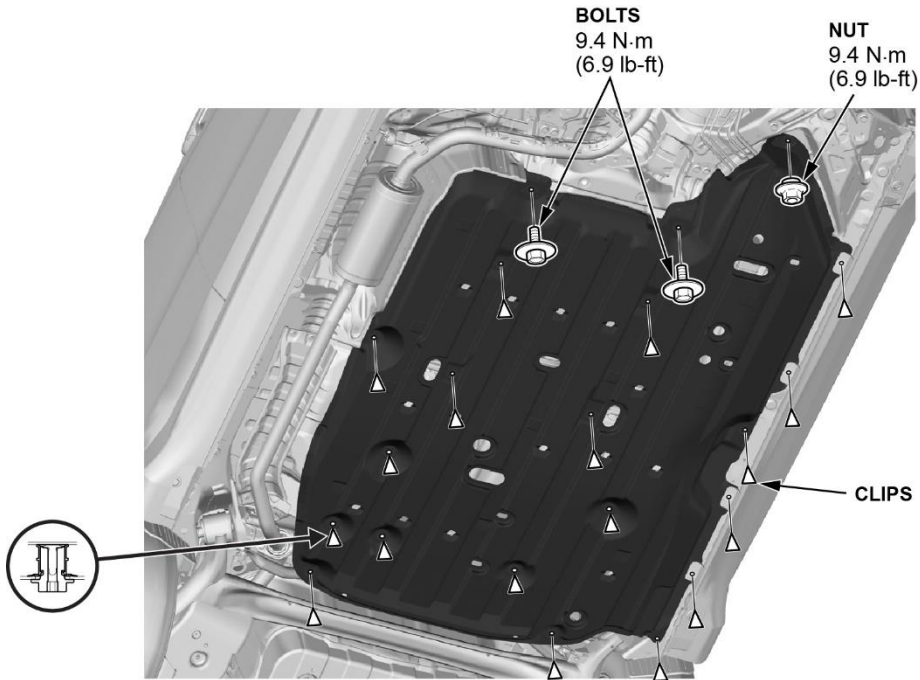


For 2WD models, go to step 46.

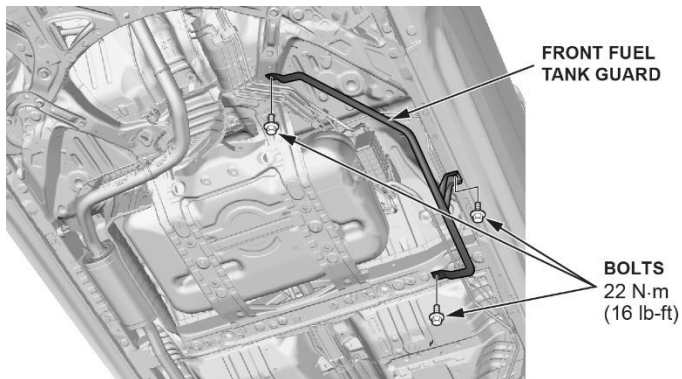
For AWD models, continue to the next step.

38. Remove the front floor undercover.

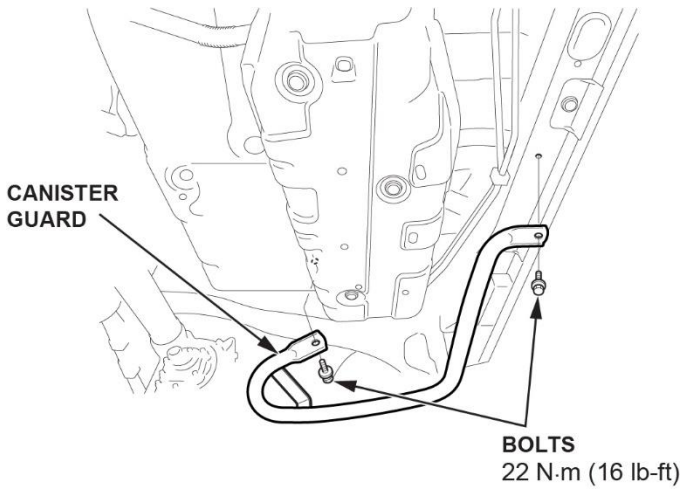
NOTE: The retainer clips stay in the front floor under cover.



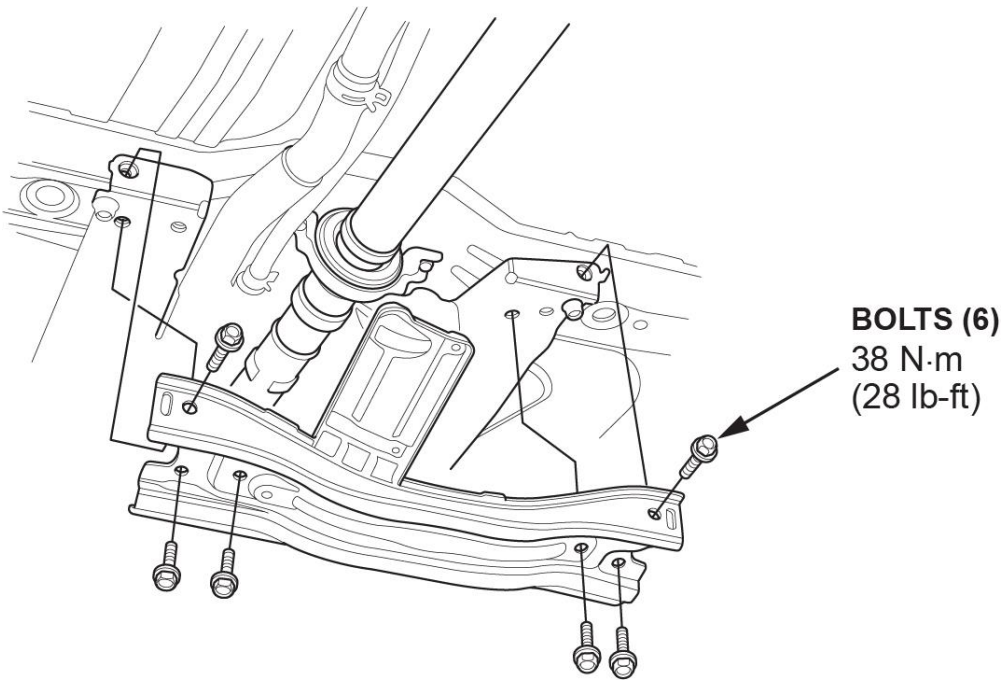
39. Remove the front fuel tank guard.



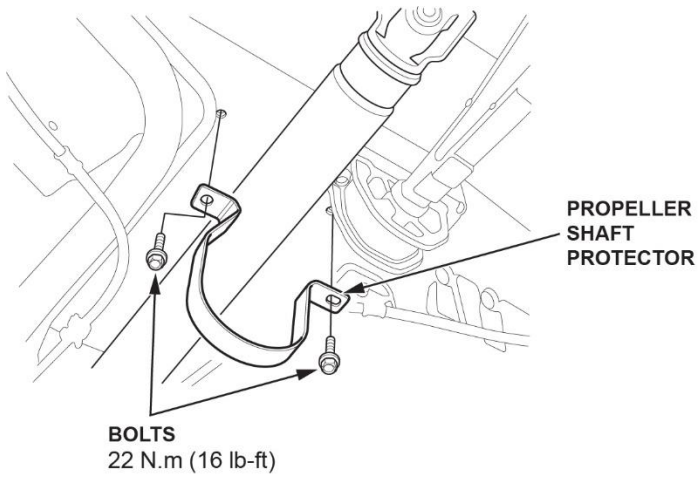
40. Remove the canister guard.



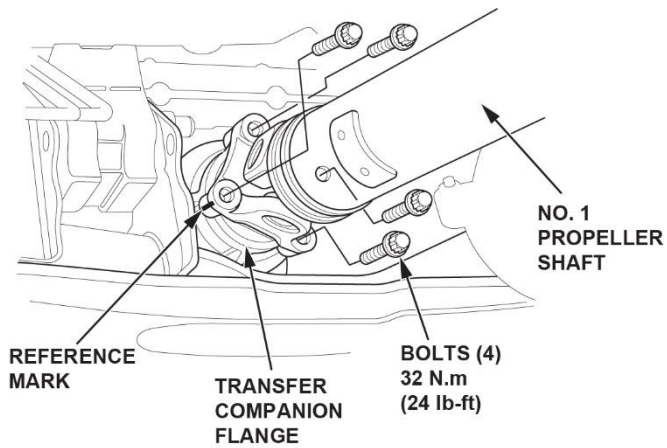
41. Remove the front center member.



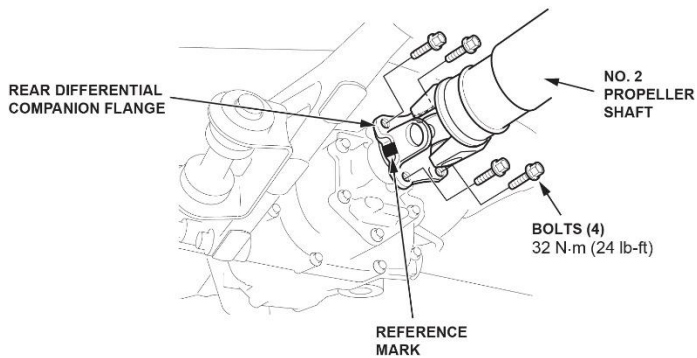
42. Remove the propeller shaft protector.



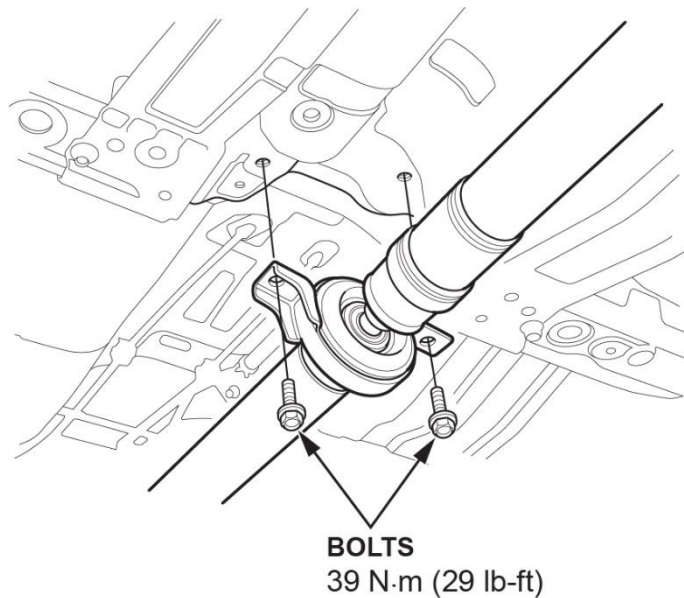
43. Make a reference mark across the No. 1 propeller shaft, transfer the companion flange, then remove the No. 1 propeller shaft flange bolts.



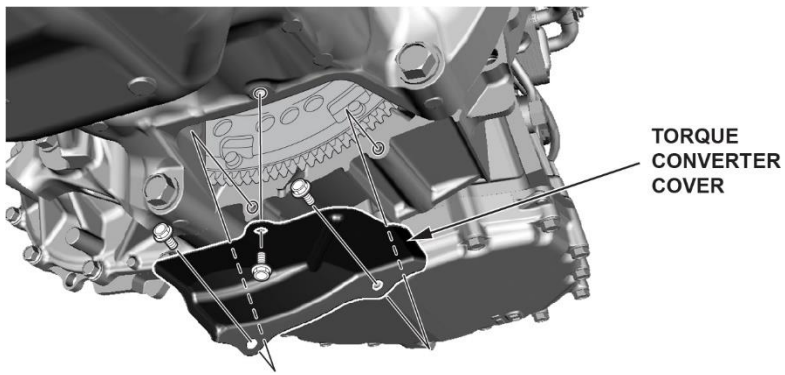
44. Make a reference mark across the No. 2 propeller shaft, the rear differential companion flange, then remove the No. 2 propeller shaft flange bolts.



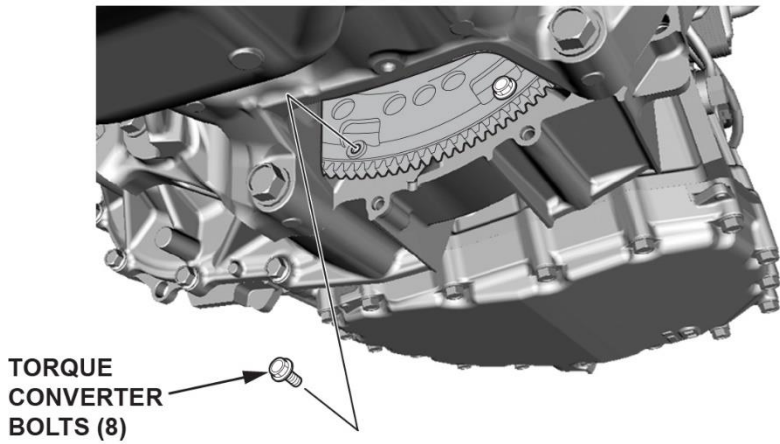
45. Remove the center support bearing mounting bolts.



46. Remove the torque converter cover.

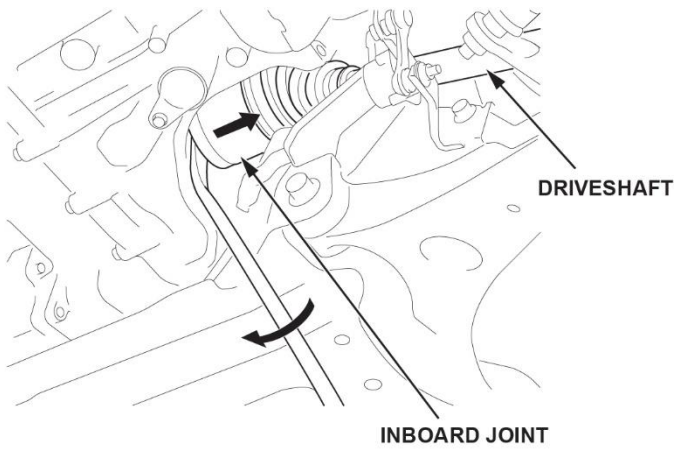


47. Remove the 8 torque converter bolts.



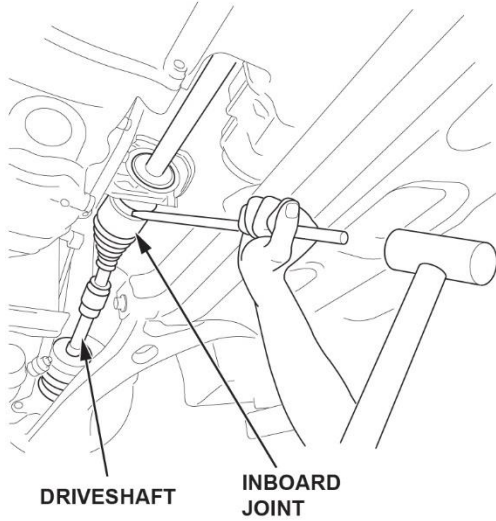
48. Disconnect the left driveshaft inboard joint and secure the driveshafts to the body with straps.

LEFT DRIVESHAFT

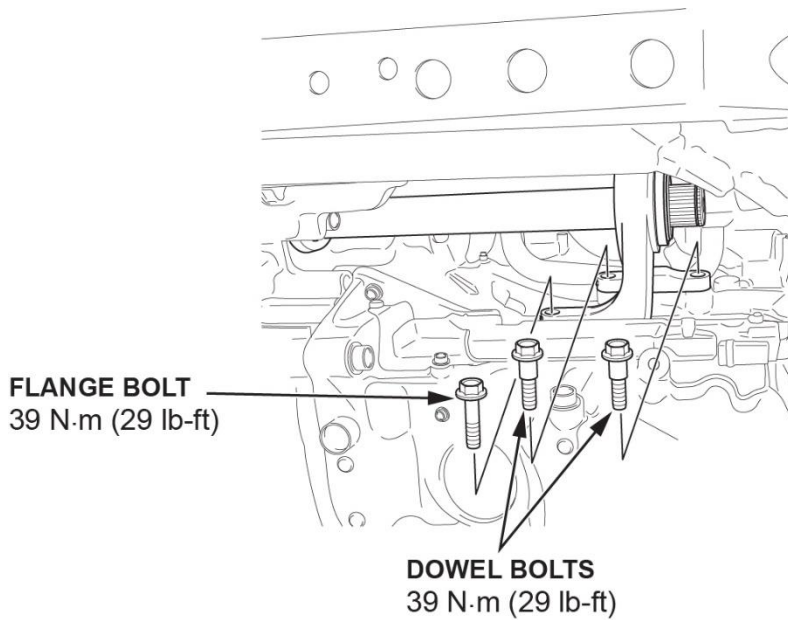


49. Disconnect the right driveshaft inboard joint and secure the driveshaft to the body with straps.

RIGHT DRIVESHAFT

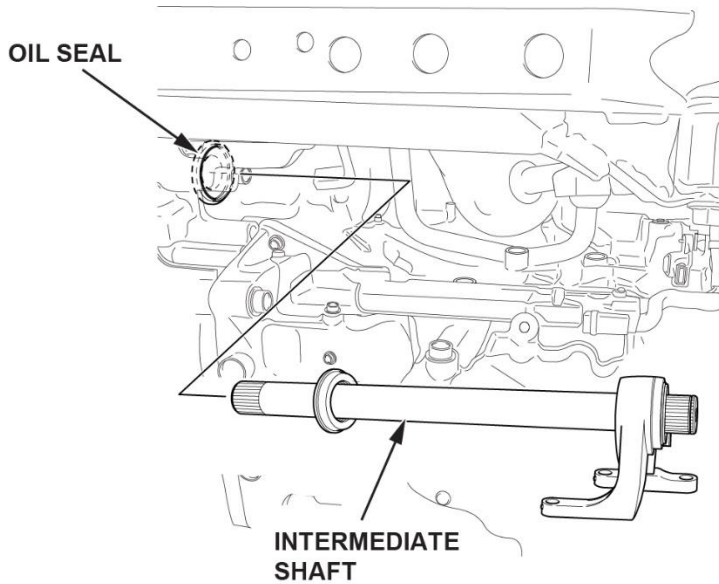


50. Remove the intermediate shaft bolts.



51. Remove the intermediate shaft.

NOTE: Hold the intermediate shaft horizontal until it is clear of the differential to prevent damaging the oil seal.



52. Check that the transmission is free of hoses and electrical wiring, lower the transmission by loosening the wing nut of the engine support hanger and tilt the engine just enough for the transmission to clear its end from the side frame. Slide the transmission away from the engine, then remove the transmission from the vehicle.

NOTE: Be careful not to drop the torque converter.

53. Install the new CVT with the new torque converter installed.

NOTE: It is very important to use the new transmission warmer that comes with the CVT instead of re-using the old one to avoid contaminating the new CVT.

54. Install all removed parts in the reverse order of removal.

55. Fill the CVT with fluid. Refer to the service information.

56. Do a wheel alignment. Refer to the service information.

57. Do a VSA sensor neutral position memorization.

END