

**Classification:**

BT12-019

**Reference:**

ITB12-071

**Date:**  
COPYRIGHT© NISSAN NORTH AMERICA, INC.

October 25, 2012

## 2011 - 2013 QX56 DOOR MIRROR; GLASS MIRROR SERVICE INFORMATION

APPLIED VEHICLE: 2011-2013 QX56 (Z62)

### SERVICE INFORMATION

Part of the procedure to remove the glass mirror in either door mirror of an applied vehicle has been changed. Until the related Electronic Service Manuals (ESM) are amended, use the information in this bulletin.

- Other than noted, all other procedural steps in the ESM remain the same.
- See page 2 for details.



Figure 1

Infiniti Bulletins are intended for use by qualified technicians, not 'do-it-yourselfers'. Qualified technicians are properly trained individuals who have the equipment, tools, safety instruction, and know-how to do a job properly and safely. NOTE: If you believe that a described condition may apply to a particular vehicle, DO NOT assume that it does. See your Infiniti dealer to determine if this applies to your vehicle.

Other than noted below, follow all other steps in the glass mirror removal procedure in the **L DRIVER CONTROLS > MIR Mirrors** section of the related ESM.

Figure 2 shows the incorrect location of placing a screwdriver or suitable tool for prying.

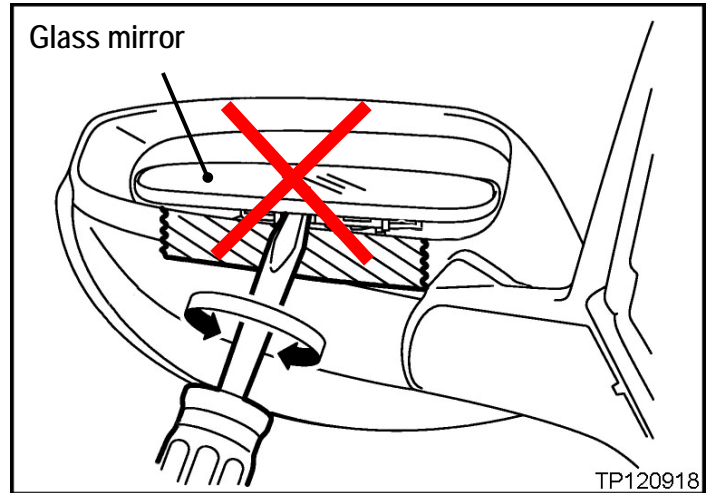


Figure 2

Figure 3 and 4 show proper pry tool location.

OK

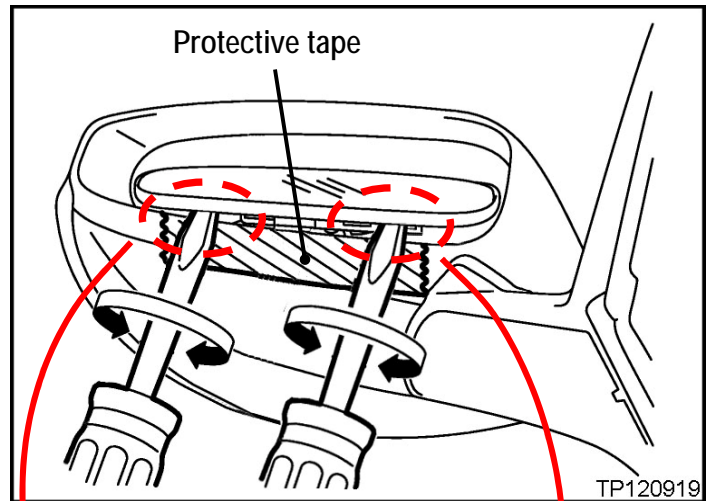


Figure 3; viewed from bottom

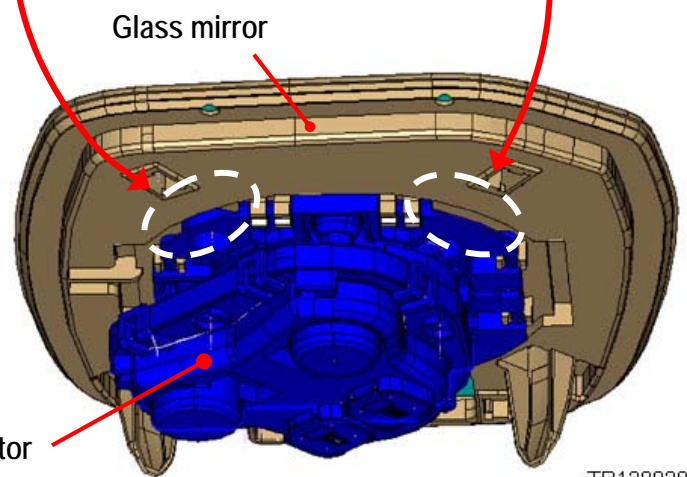


Figure 4; upside down, rear view