

**Classification:**

EL15-027

**Reference:**

ITB15-027

**Date:**

September 15, 2015

## 2014 – 2015 Q50 AND Q50 HYBRID; TRUNK RELEASE POWER CANCEL SWITCH SERVICE INFORMATION

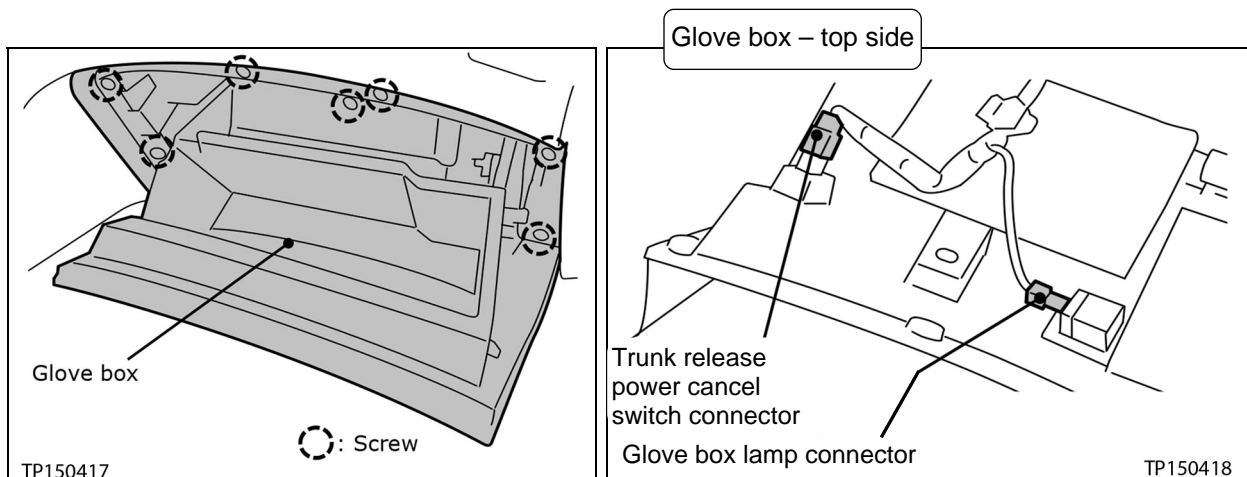
**APPLIED VEHICLES:** 2014-2015 Q50 (V37)  
2014-2015 Q50 Hybrid (V37)

### SERVICE INFORMATION

If the glove box is removed for any reason (for example, installing an accessory kick plate, replacing an in-cabin microfilter, etc.), verify the trunk release power cancel switch operates normally after installing the glove box.

- Before releasing the vehicle, operate the trunk opening with the trunk lid release switch located on the instrument panel to confirm it operates correctly.

**CAUTION:** Be careful when disconnecting and connecting the trunk release power cancel switch to avoid damaging it.



Infiniti Bulletins are intended for use by qualified technicians, not 'do-it-yourselfers'. Qualified technicians are properly trained individuals who have the equipment, tools, safety instruction, and know-how to do a job properly and safely. **NOTE:** If you believe that a described condition may apply to a particular vehicle, DO NOT assume that it does. See your Infiniti retailer to determine if this applies to your vehicle.