

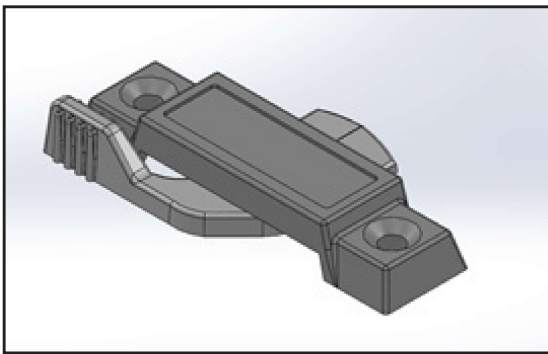
April 28, 2021

## Product Change Notice – Sweep Latch Substitution

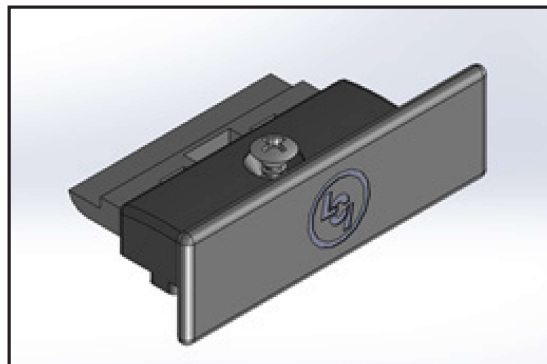
Dear Valued Customer:

As part of our ongoing efforts to not disrupt any customer production, we will be temporarily substituting a sweep latch for the spring latch due to vendor supply. The sweep latch is currently used on our 8700 window series and has been proven for durability in the field.

Products affected are: 8800DW, HS, T-Bar Series windows.



**Sweep Latch (RM09894)**



**Spring Latch (RM27881)**

If you have any questions, please feel free to call me directly or your LCI representative. We value and appreciate your business and partnership.

Sincerely,

**Troy Whetten**

Director of Sales

Lippert Components, Inc.

w: 801-389-3322 |

[twhetten@lci1.com](mailto:twhetten@lci1.com)

## Frequently Asked Questions:

1. **Will a new part number be required?** No.
2. **Does the price change for the item?** No.
3. **Is the new part wholly interchangeable with the previous version of the part?** No.
4. **Does the customer need to replace inventory?** No.