



Polaris Industries Inc.
Product Development Center
 7290 Viking Blvd E
 Wyoming, MN 55092
 T: 651-408-7579
 F: 651-408-7605
 December 3, 2015

Associate Administrator for Enforcement
 National Highway Traffic Safety Administration
 1200 New Jersey Avenue, SE
 Washington, D.C. 20590

RE: 579.5 Notices, bulletins, customer satisfaction campaigns, consumer advisories, and other communications for the month of November, 2015.

Manufacturer: Polaris Industries Inc. (Victory Motorcycle Division; Indian Motorcycle Company; Global Electric Motorcars (GEM), Slingshot)
 Report Author: Don L. Good
 Telephone Number: 651-408-7579

Polaris Industries Inc sent the following 579.5 communications in the month of November, 2015.

Date Sent	Type	Number	Product	Sent To	Summary	Previously Sent To NHTSA
11/5/2015	Safety Bulletin	I-15-04	Indian Motorcycle	Dealers	Brake Recall	Yes
11/5/2015	Cons Recall Notice	15V-721	Indian Motorcycle	Consumers	Brake Recall	Yes
11/19/2015	Team Tips	SLI-15-11-01	Slingshot	Dealers	Rear Axle Nut	No
11/24/2015	Safety Bulletin	SLI-15-05	Slingshot	Dealers	Headlights	Yes
11/24/2015	Cons Recall Notice	15V-777	Slingshot	Consumers	Headlights	Yes
11/30/2015	Newsletter	11/30/2015	All	Dealers	Bulletin Reminders	No

Copies of the above are attached to this report.

If you have any questions with this report, please contact me at 651-408-7579.

Thank you,

Signed: 
 Don L. Good
 Sr. Product Safety Specialist
 Polaris Industries Inc.

Date: 12-3-2015



TECHNICAL SERVICE BULLETIN

Release Date: Nov 5, 2015
Expiration Date:

Indian Motorcycle

Bulletin Number: I-15-04
Model Year(s): 2015-2016

Safety Bulletin

Service Bulletin

Service Alert Fax

Production Update Kit

Distribution: Owner / Principal Service Manager Sales Manager Parts Manager Technicians

This Service Bulletin is located at www.polarisdealers.com

-Confidential and Proprietary-

IMPORTANT SAFETY NOTICE! STOP SALE

SUBJECT: 2015-2016 Indian Full Size Motorcycles – Rear Master Cylinder Repair

PURPOSE:

Some 2015-2016 Indian Full-Size motorcycles have been manufactured with a rear brake master cylinder that does not meet Indian Motorcycle quality standards. In some vehicles, the rear brake master cylinder piston cup may develop a tear. Motorcycles assembled with an affected master cylinder may experience a loss of fluid pressure to the rear brake caliper resulting in reduced rear brake performance. This could cause the vehicle operator to lose control, increasing the risk of a crash.

AFFECTED MODELS:

2015-2016 Indian Chief Classic, Chief Vintage, Chieftain, Roadmaster, and Dark Horse Motorcycles manufactured on or between 1/2/2015 – 10/23/2015.

Use 'Unit Inquiry' or the Service Bulletin VIN Lookup tool on the STOP Site to identify affected vehicles.

WHAT YOUR DEALERSHIP SHOULD DO:

Wholegood Units:

1. **STOP ALL SALES** of affected units until this Safety Bulletin has been completed. After the bulletin is completed and a warranty claim has been filed, it is acceptable to resume sales.
2. Review your dealership's inventory to locate potentially affected models.
 - a. Go to the STOP Site and click on the '**Click Here for a List of Your Dealership's Units with Open Bulletins / Recalls**' link located in the Search Options menu.
3. Follow the instructions outlined in this Safety Bulletin to replace the affected rear master cylinder piston assembly using the updated part detailed in this communication.
4. File a warranty claim immediately after completion of this bulletin.

Parts Stock Inventory:

1. Review your dealership's parts stock inventory to identify any potentially affected master cylinder assemblies:
 - 2205153 – KIT-ASM, REAR MC, IND
 - 2205751 – KIT-ASM, REAR MC, IND, BLK
 - 2205157 – KIT-PISTON, REAR MC, IND
2. File a Parts Stock claim for any master cylinder assemblies in dealer inventory and return to Indian Motorcycle.

CUSTOMER NOTIFICATION:

A customer notification letter has been sent to all registered owners of motorcycles affected by this Safety Bulletin. In addition to the notification letter sent by Indian Motorcycle, dealers are required to notify owners of motorcycles sold by their dealership, and to make arrangements to perform this bulletin immediately.

WARRANTY CLAIM INFORMATION:

A single group claim may be submitted listing the complete (17-digit) Vehicle Identification Number for machines with the same model number. File claim type: **SB (Service Bulletin)**. **DO NOT PUT MORE THAN ONE MODEL NUMBER ON A CLAIM.**

REAR MASTER CYLINDER - REBUILD	
SERVICE BULLETIN #	I-15-04
CLAIM TYPE	SB (Service Bulletin)
LABOR ALLOWANCE	36 Minutes (0.6 Hours)
CLAIM PART NUMBERS	N/A – Auto Process Bulletin

PARTS INFORMATION:

REAR MASTER CYLINDER – REBUILD (I-15-04)	
PART NUMBER / DESCRIPTION	7170107 (QTY. 1) – Service Bulletin Completion Decal 2206308 (QTY. 1) – Piston Kit, Rear Master Cylinder* 7556372 (QTY. 2) – Copper Sealing Washer 7661010 (QTY. 1) – Cotter Pin, Push Rod
PARTS AVAILABILITY	Available to order *NOTE: 2206308 will be available 11/9 to order in <u>limited quantities</u> . Sufficient inventory to fulfill bulletin requirements will be in stock no later than 11/20/2015.
DIRECT-SHIP FROM POLARIS?	No
TO BE ORDERED BY DEALER?	Yes

PARTS RETURN INFORMATION:

ATTENTION: North American Dealers – All master cylinder pistons affected by this bulletin should to be returned via the normal warranty parts return system (DO NOT RMA).

Include the Vehicle Identification Number (VIN) and the date code located on bottom of the master cylinder housing (refer to image below). **NOTE:** Date code is also pin stamped on the master cylinder housing under the label.



Dealers & Distributors: Under no circumstances shall the part removed in this repair be re-used, sold, or re-purposed for another application. It is your dealership / distributorship's responsibility to make sure every part replaced is taken out of circulation and returned to Indian Motorcycle.

For North American Dealers: Once the warranty claim for each unit has processed, please review the "Check Returned Parts List" on your dealer website to determine whether or not Indian Motorcycle has asked for the part(s) to be returned. If the part(s) were not identified as needing to be returned to Indian Motorcycle, please dispose of the part(s) properly.

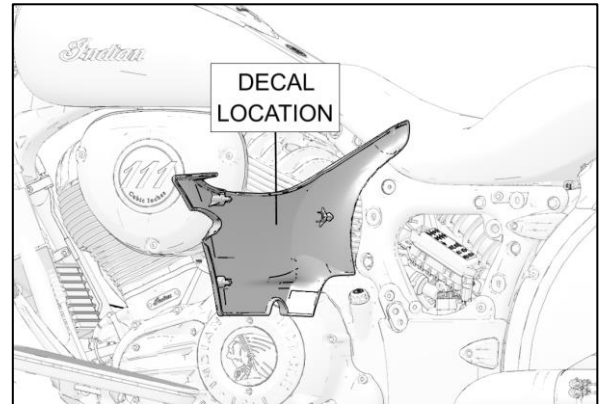
SERVICE BULLETIN COMPLETION DECAL:

A Service Bulletin Completion Decal must be completed for this bulletin repair. Place the decal on the unit as shown (inside left side cover). If you require more decals, order them through normal parts ordering channels.

Sincerely,



Doug Koch,
Technical Service and Warranty Manager

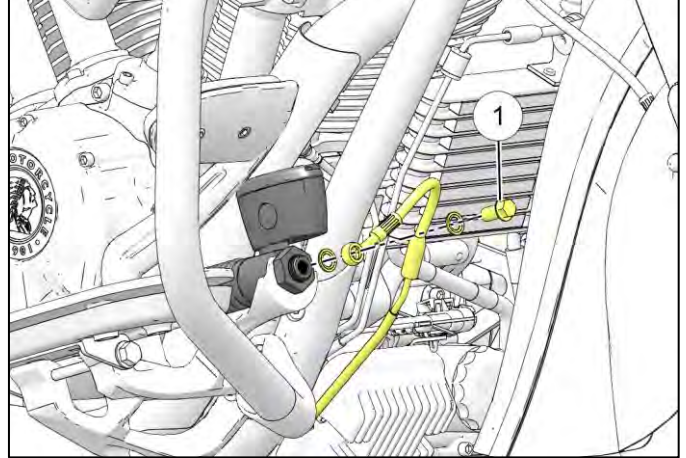


REAR MASTER CYLINDER PISTON REPLACEMENT:

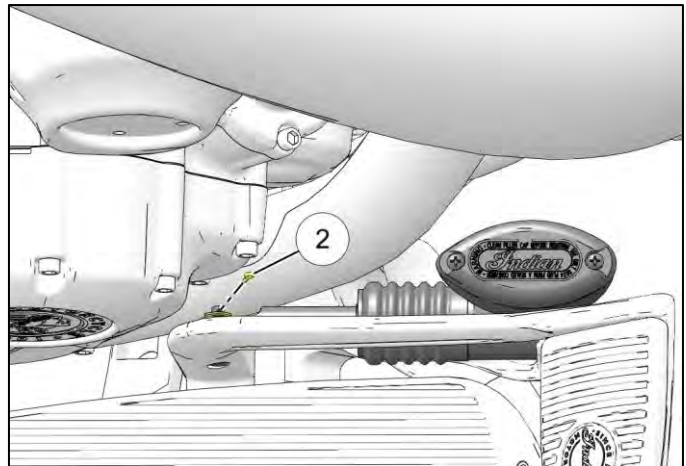
IMPORTANT: Brake fluid and brake cleaners will damage paint, plastics and some rubber compounds. Cover or remove plastic and painted parts before working on the brake system. If brake fluid is spilled on cosmetic surfaces, immediately rinse the area with a mild solution of soap and water until all traces of brake fluid are removed. Make sure the master cylinder reservoir being worked on is level before removing the cap.

REAR MASTER CYLINDER DISASSEMBLY/INSPECTION

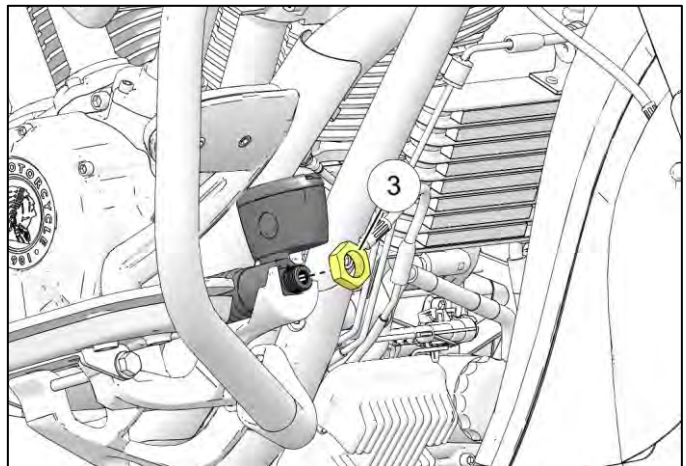
1. Place the motorcycle in an upright position with the front wheel clamped in a wheel vise.
2. Remove the brake line banjo bolt ①. Remove sealing washers and discard. To prevent loss of brake fluid suspend the open end of the brake line upright or place in a container of clean brake fluid while servicing the master cylinder. **NOTE:** Prevent brake fluid from contacting cosmetic surfaces.



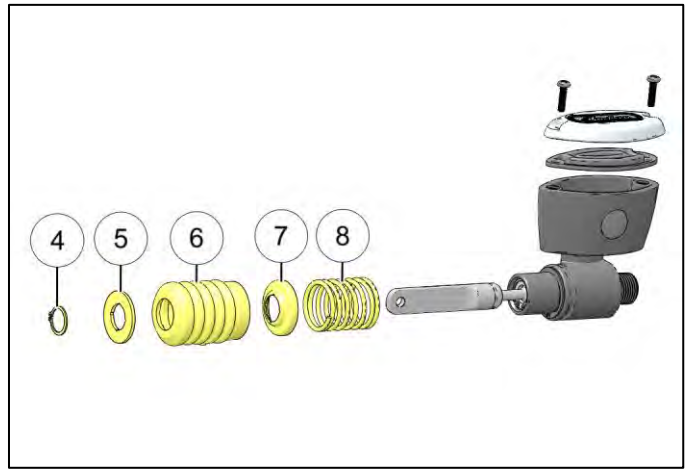
3. Remove cotter pin ② from push rod pin and remove washer.



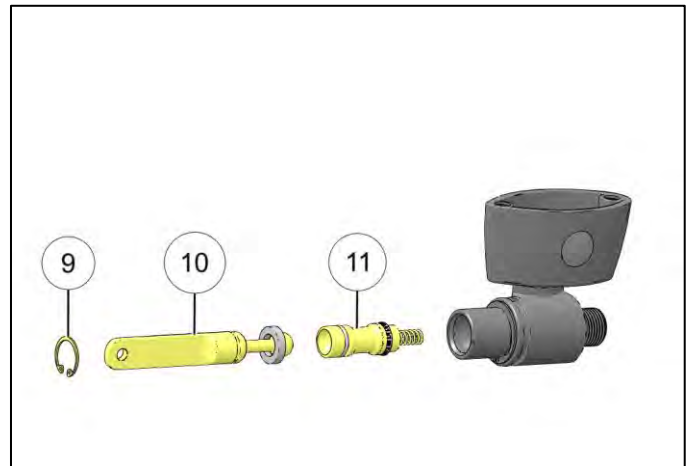
4. Remove jam nut ③ and remove the master cylinder from the floorboard support. **NOTE:** Use caution to ensure wrench does not contact the master cylinder reservoir.



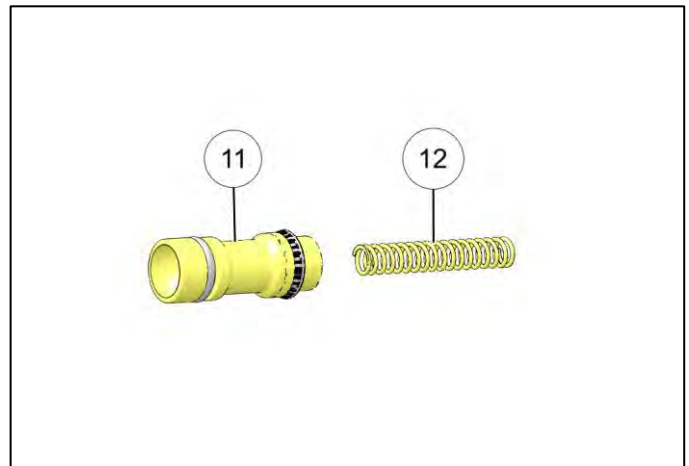
5. Place rear brake master cylinder on a clean work surface. **IMPORTANT:** Maintain cleanliness of work surface and master cylinder components. Any debris or fluid could damage master cylinder components.
6. Clean rear brake master cylinder external surfaces and remove cover screws, cover and cover seal
7. Using a suitable fluid recovery container, pour out the brake fluid in the master cylinder reservoir and dispose of brake fluid properly.
8. Remove external snap ring (4), washer (5), dust boot (6), spring retainer (7) and return spring (8). **NOTE:** Spring retainer and return spring are typically retained in the dust boot.



9. Remove and discard internal snap ring (9). Remove pushrod/retainer bushing assembly (10) and piston assembly (11).

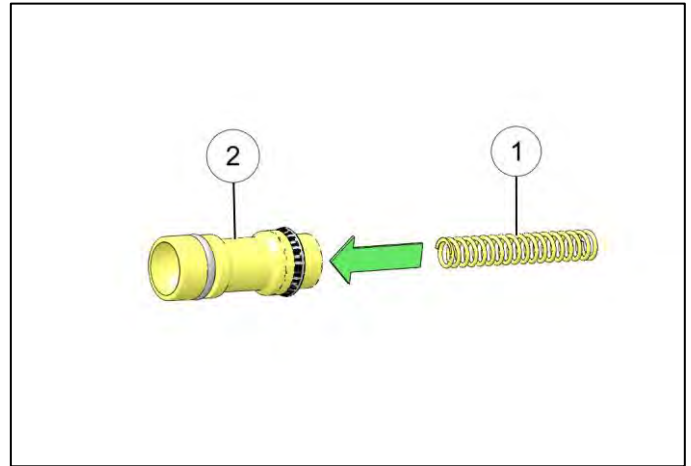


10. Remove piston return spring (12) from piston assembly (11). **NOTE:** Retain and tag piston for warranty parts return.
11. Clean all internal parts with Indian Motorcycle DOT 4 brake fluid or isopropyl alcohol from a sealed container.
12. Inspect cylinder bore and chamfer on front of the bore for corrosion, scratches, scoring or pitting. Replace master cylinder if any of these conditions are evident.
13. Use compressed air to clear fluid holes and passages to verify they are clean and unobstructed.

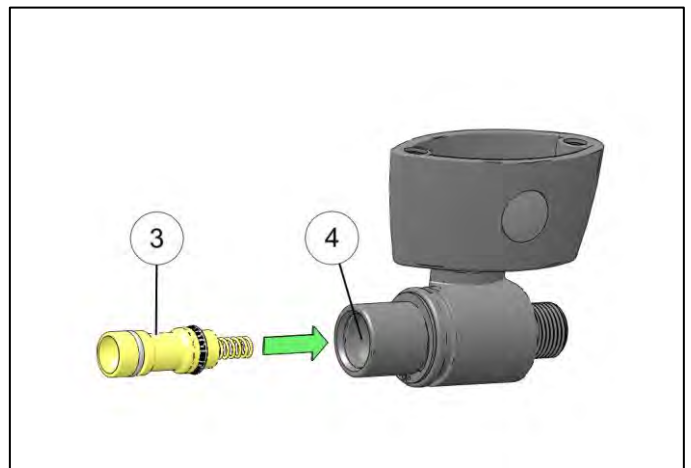


REAR MASTER CYLINDER ASSEMBLY:

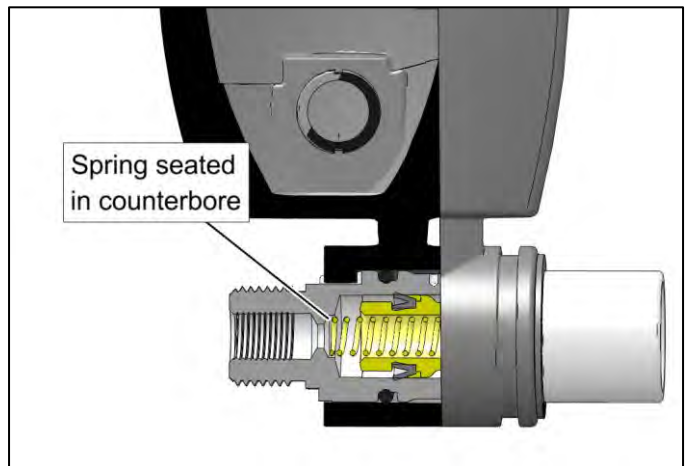
1. Insert original piston return spring ① in the NEW piston assembly ②.
2. Lubricate piston assembly and master cylinder bore with clean Indian Motorcycle DOT 4 brake fluid.



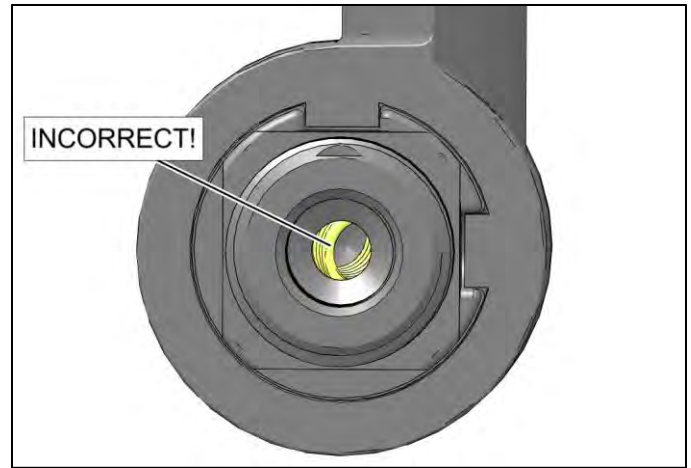
3. Align the piston assembly ③ with the master cylinder bore ④.



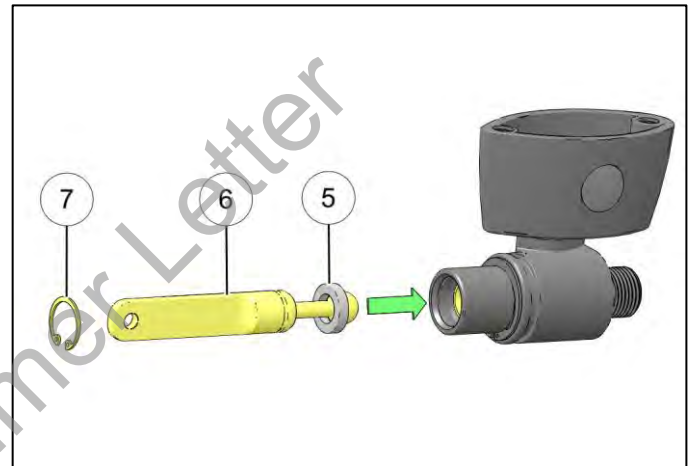
4. Partially insert the piston assembly into the master cylinder bore taking care so the spring does not scratch or damage the bore. **NOTE:** Do not fold or damage the piston seals and cup when inserting piston.
5. Use a flashlight to view the spring end through the fluid outlet port to guide the spring end into the master cylinder counter bore (refer to image at right).



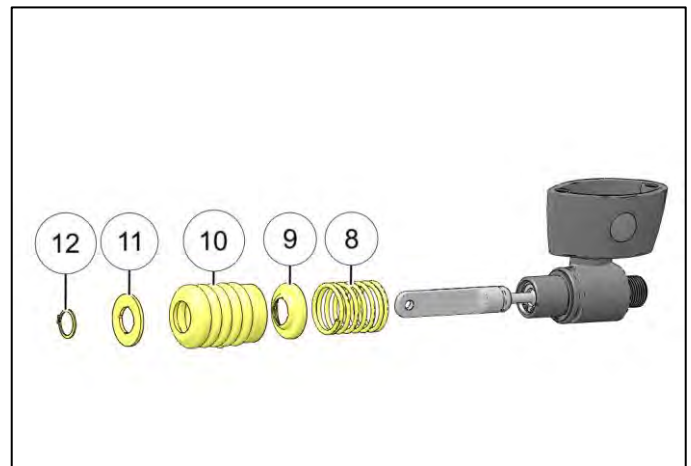
6. Verify the spring is seated correctly in the master cylinder counter bore before fully seating the piston in the master cylinder bore. **NOTE:** Spring is installed **incorrectly** if end is visible through the outlet port (refer to image at right).
7. If spring is seated correctly proceed to step 8. If spring is not seated correctly remove piston assembly and repeat steps 3-7.



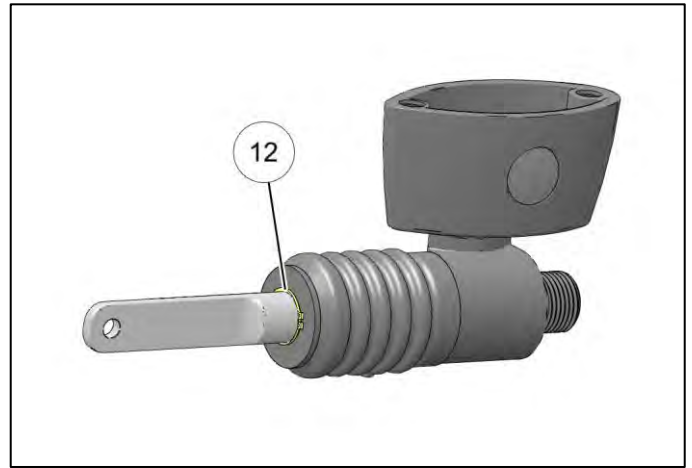
8. Insert the pushrod ⑥ retainer bushing assembly ⑤ and depress both into master cylinder bore deep enough until snap ring groove is visible above retainer bushing. Install NEW snap ring ⑦ with square edge facing out in snap ring groove. **NOTE:** Verify snap ring is fully seated in groove.



9. Assemble return spring ⑧, spring retainer ⑨, dust boot (with drain hole facing down) ⑩, and washer ⑪ on the pushrod. Depress return spring, cup, dust boot and washer down the pushrod to expose the snap ring groove...



10. Install the snap ring (12) in the pushrod groove with the square edge facing away from master cylinder. **NOTE:** Verify dust boot is seated in groove on back of master cylinder housing

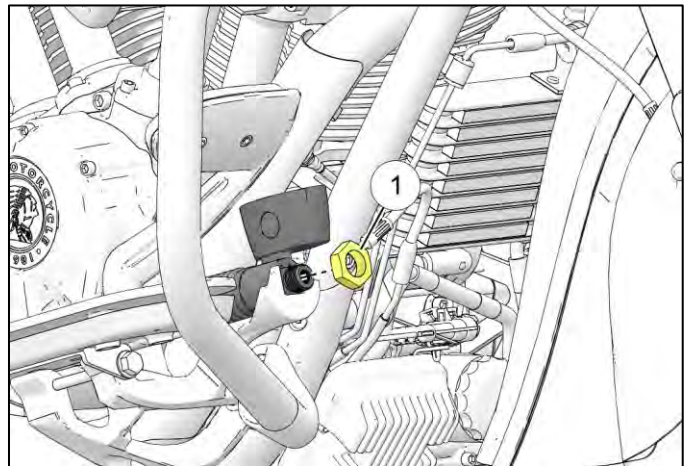


REAR MASTER CYLINDER INSTALLATION:

1. Install the master cylinder to floorboard support and torque the jam nut (1) to specification.

TORQUE:

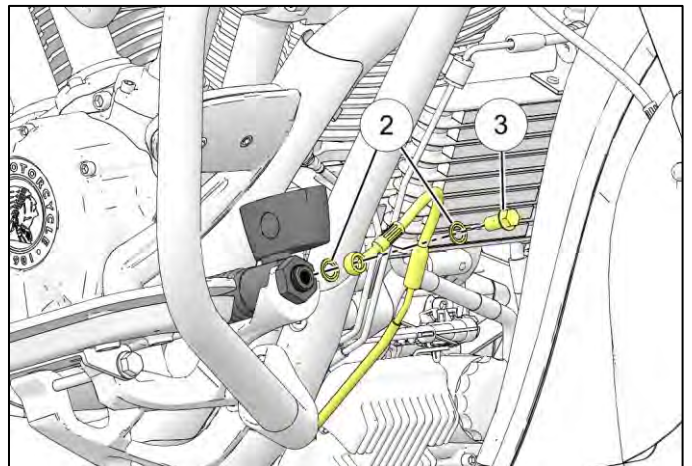
Master Cylinder Jam Nut: **35 ft-lbs (47.5 Nm)**



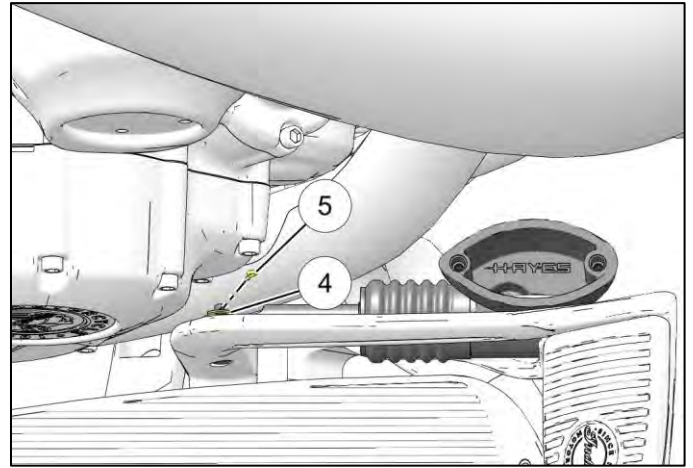
2. Install a NEW sealing washer (2) on each side of the banjo fitting and torque the banjo bolt (3) to specification. **NOTE:** Do not reuse brake sealing washers.

TORQUE:

Brake Line Banjo Bolt: **18 ft-lbs (24.4 Nm)**



3. Assemble the pushrod onto the brake pedal pin. Install washer ④ and a NEW cotter pin ⑤.

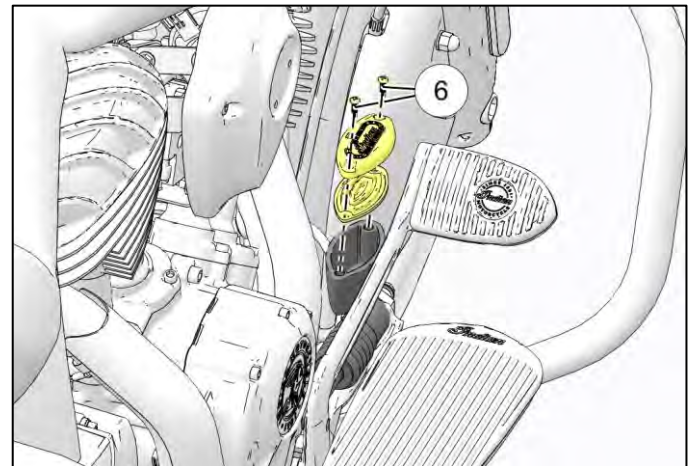


4. Bleed the rear brake system as outlined in Chapter 14 of the 2014-2016 Indian Motorcycle (Full-Size) Service Manual (PN 9925933).
5. Top up the brake fluid as necessary and install the reservoir cover. Torque screws ⑥ to specification.

TORQUE:

M/C Reservoir Cover Screws: **13 in-lbs (1.5 Nm)**

6. Test ride the motorcycle to verify proper brake operation and pedal feel.
7. Include the VIN and master cylinder date code on a tag attached to the original master cylinder piston for warranty return (refer to PARTS RETURN INFORMATION).
8. File a warranty claim for I-15-04.





Indian Motorcycle Company
P.O. Box 47700
Medina, MN 55340-9960

IMPORTANT SAFETY RECALL

This notice applies to your vehicle

VIN:

Recall Campaign: 15V-721

**Subject: 2015-2016 Indian Full Size Motorcycles
Rear Master Cylinder Repair**

PLEASE READ IMMEDIATELY

Dear Indian Motorcycle Owner:

This notice is sent to you in accordance with the requirements of the National Traffic and Motor Vehicle Safety Act. Indian Motorcycle has decided that a defect which relates to motor vehicle safety exists in certain 2015-2016 Indian Full Size motorcycles. Our records indicate that you have purchased a potentially affected vehicle.

The reason for this recall:

Indian Motorcycle has decided that some 2015-2016 Indian Full Size motorcycles may have been manufactured with a rear brake master cylinder that does not meet Indian Motorcycle quality standards. In some vehicles, the primary cup seal located in the rear master cylinder may not fully seal into the master cylinder bore. Motorcycles assembled with an affected master cylinder may experience a loss of pressure to the rear brake caliper resulting in rear brake failure. This could cause the vehicle operator to lose control, increasing the risk of a vehicle crash.

What Indian Motorcycle and your dealer will do:

Indian Motorcycle will issue a *Safety Recall Bulletin* to all Indian Motorcycle dealers, with instructions required to replace the rear brake master cylinder piston and seals. Repairs will be made by any authorized Indian Motorcycle dealer at no cost to you. The actual master cylinder repair should take about one hour to perform; however, it may take longer due to service scheduling requirements.

What you should do:

Contact your authorized Indian Motorcycle dealer to schedule an appointment to have the bulletin repair performed. Do not attempt repairs yourself. Repairs must be done only by an authorized Indian Motorcycle dealer.

Pre-Ride Inspection

Before riding your motorcycle to an authorized dealer to have the bulletin procedure(s) completed, please perform the following pre-ride brake inspection prior to riding your motorcycle to the dealership:

1. Press downward on the rear brake pedal. It should move freely and smoothly. The pedal should feel firm and continue to feel firm until released.
2. Release the pedal. It should return to its rest position quickly when released.

If the rear brake pedal fails to perform as stated or travels too far before beginning to engage the brake do not ride your motorcycle before the repairs are made. Work with your Indian Motorcycle dealer to arrange transportation.

If you have questions or if you need more information:

While your Indian Motorcycle dealer is in the best position to answer your questions, if you have any questions that your dealer cannot address, if you are having difficulty obtaining the recall repair outlined in this letter, or if you need assistance finding an Indian Motorcycle dealer, please visit the web site at www.indianmotorcycle.com or contact our Indian Motorcycle Consumer Service Department by calling 1-877-204-3697.

This notice was mailed to you according to our most current registration information. If you no longer own your Indian motorcycle, please contact your local Indian Motorcycle dealer to have the ownership information changed. The Indian Motorcycle Consumer Service Department cannot change ownership information without identification. Federal law requires that any vehicle lessor receiving this recall notice must forward a copy of this notice to the lessee within 10 days.

If you have had this repair performed before you received this letter, you may be eligible to receive reimbursement for the cost of obtaining a pre-notification remedy of the problem associated with this recall. For more information regarding obtaining reimbursement please contact the Indian Motorcycle Consumer Service Department using the contact information above.

If you believe that Indian Motorcycle has failed to remedy this defect without charge or is unable to do so within a reasonable time, you may submit a complaint to the Administrator, National Highway Traffic Safety Administration, 1200 New Jersey Avenue SE., Washington, D.C. 20590; or call the toll-free Vehicle Safety Hotline at 1-888-327-4236 (TTY: 1- 800-424-9153); or on the web go to <http://www.safercar.gov>.

Please accept our apologies for any inconvenience this may cause you. Your safety and continued satisfaction with your Indian Motorcycle is our primary concern. Thank you for your prompt attention to this matter.

Sincerely,
Indian Motorcycle Company



SLINGSHOT



POLARIS



Team Tips

ARTICLE: SLI-15-11-01

DATE: Nov 19, 2015

Published for Polaris Dealerships, Distributors, and Service Technicians

SUBJECT: SLINGSHOT – REAR SPROCKET RETAINING NUT RUNNING CHANGE

MODELS: ALL 2015-2016 SLINGSHOT MODELS

The Slingshot Division of Polaris Industries has developed updated rear sprocket retaining nuts and Loctite® on 2016 Slingshot models manufactured after 11/02/2015. The single hex flanged-style nut has been replaced with two hex head nuts. Loctite® 641 (Yellow) applied to the rear axle splines and threads has been replaced by Loctite® 680 (Green).

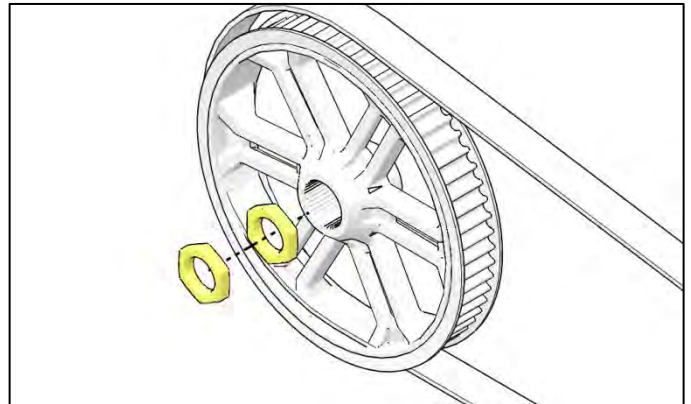
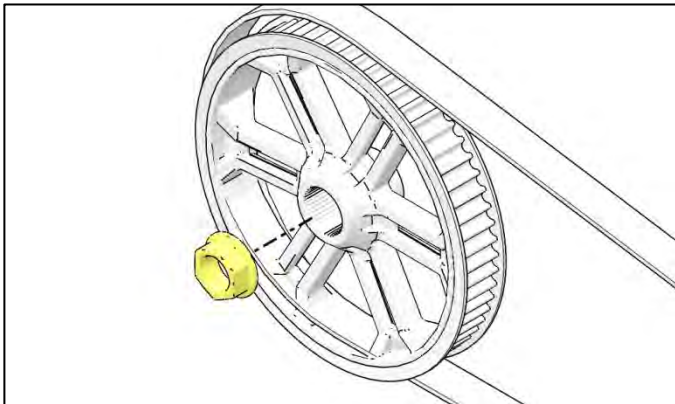
Updated rear sprocket retaining nuts and Loctite® should be installed on any vehicles built prior to 11/2/2015 if any of the following conditions are encountered:

1. A clicking or popping noise from the rear axle area during low speed operation
NOTE: This noise is similar to and may be mistaken for a damaged rear wheel bearing
2. Reduced clamp force on the rear sprocket nut
3. A service procedure requiring removal of the rear sprocket is performed

The Driven Sprocket Replacement procedure in the Slingshot Service Manual has been updated and posted on the STOP Site for reference, update your manual accordingly. The Polaris Online Electronic Parts Catalog has also been updated to include the new hardware.

OLD (PN 7547617 – QTY 1)

NEW (PN 7547831 – QTY 2)



TORQUE

250 lb-ft (339 Nm)

TORQUE

Inside Nut: **250 lb-ft (339 Nm)**
Outside Nut: **150 lb-ft (203 Nm)**

Loctite® 641 (Yellow)

Loctite® 680 (Green)



SLINGSHOT

Release Date: 11/24/2015

Expiration Date:

TECHNICAL SERVICE BULLETIN

Slingshot

Bulletin Number: **SLI-15-05**

Model Year(s): **2015-2016**

Safety Bulletin

Service Bulletin

Service Alert Fax

Production Update Kit

Distribution: Owner / Principal

Service Manager

Sales Manager

Parts Manager

Technicians

This Service Bulletin is located at www.polarisdealers.com

-Confidential and Proprietary-

IMPORTANT SAFETY NOTICE! STOP SALE

SUBJECT: 2015-2016 Slingshot / Slingshot SL – Headlight Jumper Harness Installation

PURPOSE:

Polaris has determined that some Slingshot vehicles were manufactured with a headlight circuit that does not meet Polaris quality standards. In some vehicles, heat buildup in the engine compartment may cause the headlight circuit relay to derate below the required current draw of the headlights. In addition, temperatures produced at the fuse box terminal pin may be higher than desired. The result of such a condition could be a loss of forward lighting function. This could cause decreased visibility for the vehicle operator, increasing the risk of a vehicle crash.

POTENTIALLY AFFECTED MODELS:

2015-2016 Slingshot and Slingshot SL models manufactured on or before 10/26/2015.

Use 'Unit Inquiry' or the Service Bulletin VIN Lookup tool on the STOP Site to identify affected vehicles.

WHAT YOUR DEALERSHIP SHOULD DO:

1. **STOP ALL SALES / TEST RIDES / DEMO RIDES** until this Safety Bulletin has been completed on affected units. After the bulletin is completed and a warranty claim has been filed, it is acceptable to resume sales / test rides / demo rides.
2. Review your dealership's inventory to locate potentially affected models.
 - a. Use 'Unit Inquiry'.
 - OR**
 - b. Login to the dealer website.
 - c. Locate the 'Service and Warranty' dropdown, click on STOP Site.
 - d. On the left hand side of the page, under 'STOP Site Links', click on 'Service Bulletins'.
 - e. Locate the SLI-15-05 link and click on the 'All VINs' link located on the right.
 - f. The 'All VINs' page will display all affected VINs within your dealership's inventory.
3. Perform the headlight jumper harness inspection and installation procedure outlined in this Safety Bulletin on all affected units.
4. File a warranty claim following completion and attach a bulletin completion decal as shown on page 2 of this bulletin.

CUSTOMER NOTIFICATION:

A customer notification letter will be sent to all registered owners of affected vehicles. In addition to the notification letter sent by Polaris, dealers are required to review sales records and contact consumers who have purchased a potentially affected vehicle. Make arrangements to perform the steps outlined in this Safety Bulletin immediately.

PARTS / WARRANTY CLAIM INFORMATION:

A single group claim may be submitted listing the complete (17 digit) Vehicle Identification Number for machines with the same model number. File claim type: **SB (Service Bulletin)**. DO NOT PUT MORE THAN ONE MODEL NUMBER ON A CLAIM.

SERVICE BULLETIN #	SLI-15-05
CLAIM TYPE	SB (Service Bulletin)
LABOR ALLOWANCE	30 Minutes (0.5 Hours)
PART NUMBER / DESCRIPTION	7170107 (QTY.1) – Service Bulletin Completion Decal 2881939 (QTY.1) – Kit-Headlight, Relay Jumper
PARTS AVAILABILITY	Available to order
DIRECT-SHIP FROM POLARIS?	No
TO BE ORDERED BY DEALER?	Yes

PARTS RETURN OR DISPOSAL INFORMATION:

International Dealers & Distributors: Under no circumstances shall the part(s) removed in this repair be re-used, sold, or re-purposed for another application. It is your dealership / distributorship's responsibility to make sure every part replaced is taken out of circulation and disposed of properly.

For North American Dealers: Once the warranty claim for each unit has processed, please review the "Check Returned Parts List" on your dealer website to determine whether or not Polaris has asked for the part(s) to be returned. If the part(s) were not identified as needing to be returned to Polaris, please dispose of the part(s) properly.

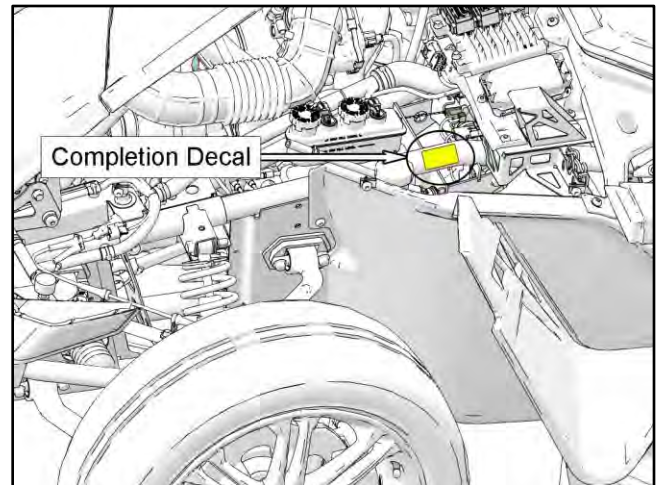
SERVICE BULLETIN COMPLETION DECAL:

A Service Bulletin Completion Decal (PN 7170107) must be completed for this bulletin repair. Place the decal on the left side frame tube, near the brake master cylinder (as shown). If you require more decals, order them through normal Polaris parts ordering channels.

Sincerely,

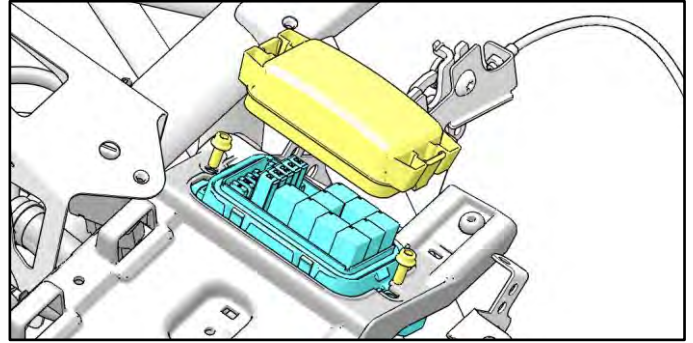


Doug Koch
Technical Service and Warranty Manager



FUSE BOX INSPECTION PROCEDURE

1. Park the vehicle on a level surface and apply the parking brake. Raise the hood.
2. Remove the fuse box cover.
3. Remove the Primary Light Relay. Inspect the fuse box pins for damage.
4. If no damage is observed, proceed to HEADLIGHT JUMPER HARNESS INSTALLATION procedure.
5. If damage is observed, photograph the damaged pins and submit an Ask Polaris case for further guidance before beginning installation procedure.



POWERTRAIN RELAY	STARTER RELAY	PRIMARY LIGHTS RELAY	EPAS RELAY	ECM 10A BRKR	GAUGES 5A FUSE
				POWERTRAIN 20A BRKR	TS / HORN 20A FUSE
FUEL PUMP RELAY	FOG LIGHTS RELAY	TURN SIGNAL RELAY	AUX LIGHTS RELAY	FAN 20A BRKR	FUEL PUMP 10A FUSE
				IGNITION 10A BRKR	EPAS 30A FUSE
COOLING FAN RELAY	ACCESSORY RELAY	HORN RELAY	FOG LIGHTS 10A FUSE	PRI LIGHTS 30A BRKR	RADIO 25A FUSE
			AUX LGHT 20A FUSE	ABS 25A FUSE	ACCESSORY 25A FUSE

INSTALLATION VIDEO

An installation video is available for this procedure.

Click or enter the following link into your browser:

<http://www.tcelearning.com/SSLH/SlingshotAuxLightHarnessInstall.htm>

HEADLIGHT JUMPER HARNESS INSTALLATION

REQUIRED TOOLS

- Socket Wrench,
- Hex Socket: 10 mm
- Torx Drive: T-40
- Torque Wrench
- Allen Drive: 5 mm
- Side Cutting Pliers

INSTALLATION INSTRUCTIONS

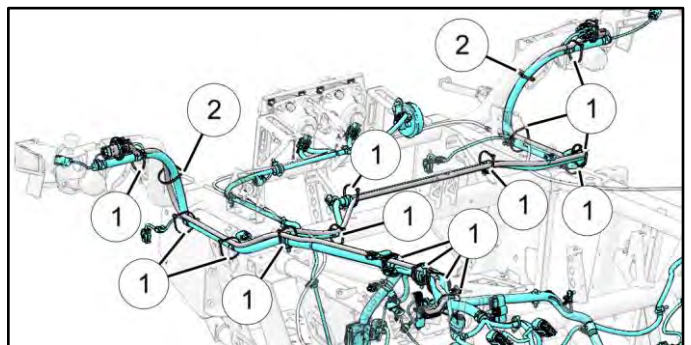
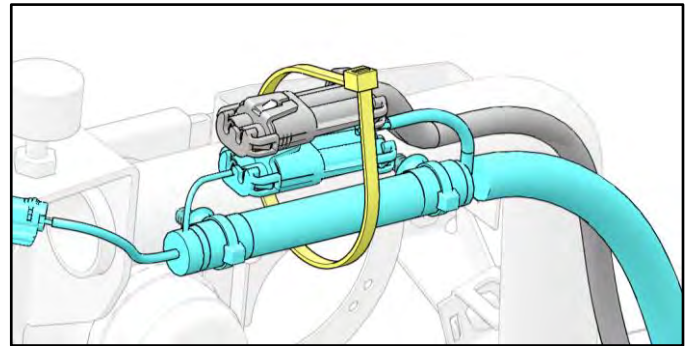
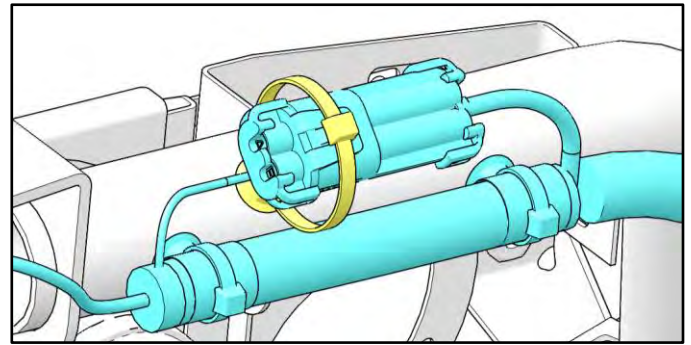
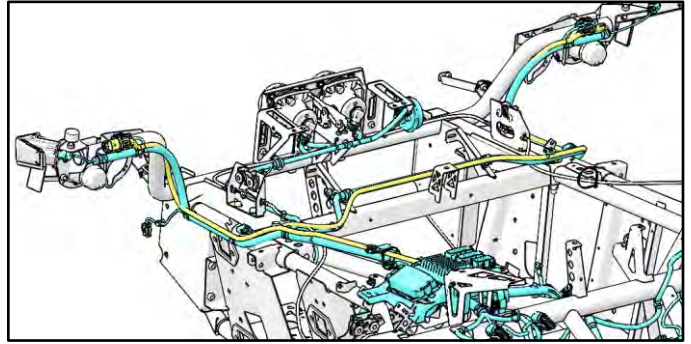
1. Park the vehicle on a level surface and apply the parking brake. Raise the hood.
2. Disconnect the negative (-) battery cable.
3. Route the jumper electrical harness (yellow) alongside the main electrical harness (blue) from the fuse box forward to the RH and LH auxiliary outer lights.
(Canadian Models: RH and LH outer headlights)

NOTE: Align all white tape markers on jumper harness with existing locations on main harness.

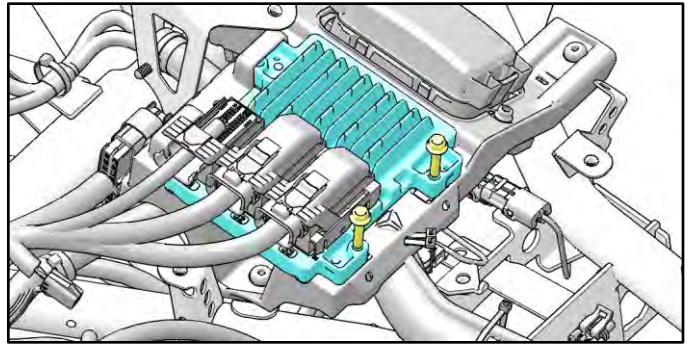
4. Cut the zip tie holding the main harness auxiliary light connector above the RH and LH auxiliary outer lights
(Canadian Models: RH and LH outer headlights).

5. Unplug the RH and LH outer light connectors. Plug the jumper harness two-wire connector into the auxiliary light connector. Plug the jumper harness single wire connector into the remaining main harness connector.
6. Zip tie the connectors from the main harness and jumper harness together using the existing tie point on the frame.

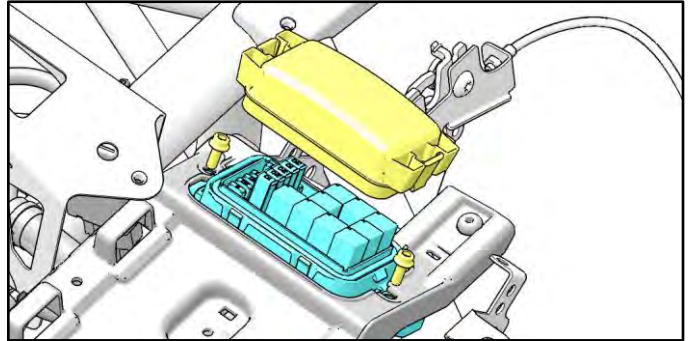
7. Zip tie jumper harness to main harness at existing white tape marks ①.
8. Zip tie jumper harness to main harness at location ②.



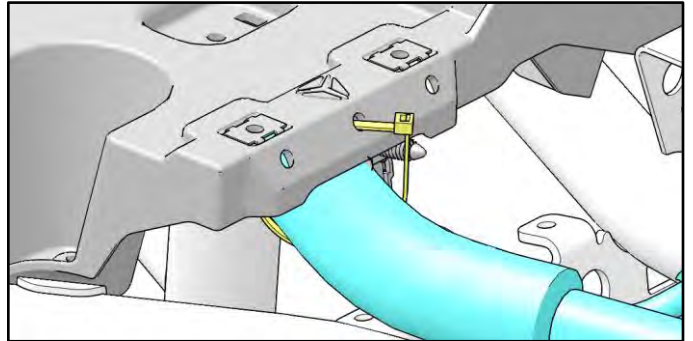
9. Remove the (2) fasteners securing the ECU to the vehicle using a 10 mm socket. Rotate the ECU out of the way.



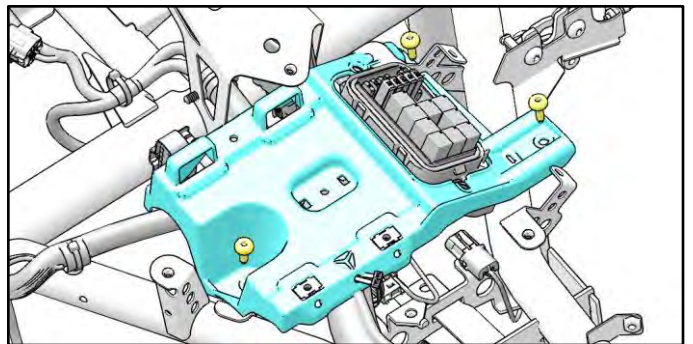
10. Remove the fuse box lid.
11. Remove the (2) fasteners securing the fuse box to the mounting block using a 5 mm Allen drive.



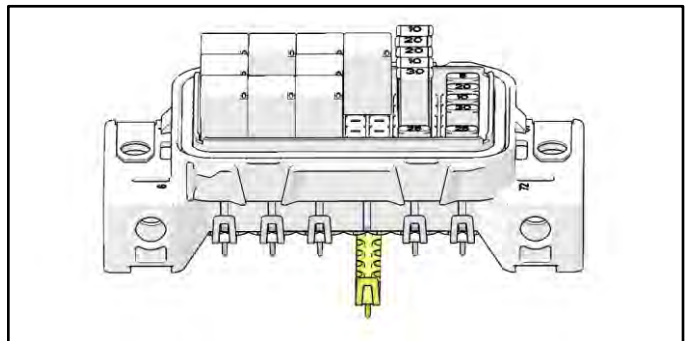
12. Cut the zip tie holding the wire harness to the front side of the mounting block.



13. Remove the (3) fasteners securing the mounting block to the frame using a T-40 Torx drive. Rotate the mounting block out of the way.



14. Remove the 4th blue wire clamp from the left when looking at the fuse box from the front.

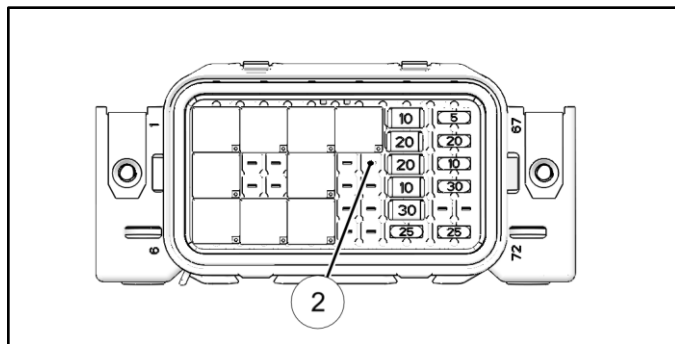


- Remove plug from fuse box terminal #45 ② by inserting a zip tie through the front of the fuse box terminal to push the terminal plug out.

NOTE: This is the only terminal without a wire running to it.

CAUTION: Do NOT bend circuit breakers or relays to avoid damage.

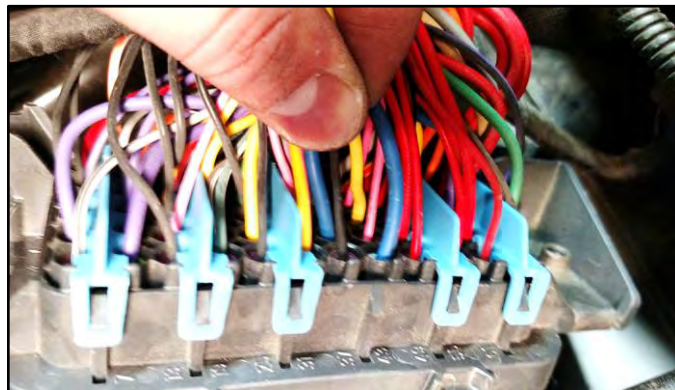
- Reinstall the fuse box cover to protect components while installing the new terminal.



- Push terminal connector from jumper harness into fuse box terminal #45 until the terminal clicks into place. Place light tension on the wire to ensure the connector is fully seated and engaged in the terminal.

NOTE: Reference the orientation of the terminal connectors already installed in the fuse box and match this orientation when installing the jumper harness terminal connector.

CAUTION: Do NOT force the terminal connector into position as it should slide in with little force. If it does not install easily, review orientation and try again.



- Reattach the blue wire clamp.
- Install the ECU mounting block and fasteners.
Torque fasteners to specification.

TORQUE:
ECU Mounting Block Fasteners: **3 lb-ft (4 Nm)**

- Install new a zip tie holding the jumper harness and main harness to the front side of the ECU mounting block.
- Remove fuse box cover. Install the fuse box and fasteners.
Torque fasteners to specification.

TORQUE:
Fuse Box Fasteners: **7 lb-ft (9.5 Nm)**

- Install the ECU and fasteners. Torque to specification.

TORQUE:
ECU Fasteners: **7.5 lb-ft (10 Nm)**

- Replace current fuse location decal on inside of fuse box cover with new decal provided in the kit.
- Install new auxiliary light relay and auxiliary light fuse into fuse box locations as outlined by the new decal. Replace current primary light relay with new relay provided in the kit.
- Install fuse box cover.
- Install battery negative (-) cable.
- Test and verify headlight operation.

POWERTRAIN RELAY	STARTER RELAY	PRIMARY LIGHTS RELAY	EPAS RELAY	ECM 10A BRKR	GAUGES 5A FUSE
FUEL PUMP RELAY	FOG LIGHTS RELAY	TURN SIGNAL RELAY	AUX LIGHTS RELAY	POWERTRAIN 20A BRKR	TS / HORN 20A FUSE
COOLING FAN RELAY	ACCESSORY RELAY	HORN RELAY	FOG LIGHTS 10A FUSE	FAN 20A BRKR	FUEL PUMP 10A FUSE
			AUX LGHT 20A FUSE	IGNITION 10A BRKR	EPAS 30A FUSE
				PRI LIGHTS 30A BRKR	RADIO 25A FUSE
				ABS 25A FUSE	ACCESSORY 25A FUSE





SLINGSHOT
Slingshot Division
Polaris Industries Inc.
P.O. Box 47700
Medina, MN 55340-9960

IMPORTANT SAFETY RECALL
This notice applies to your vehicle
VIN:
Recall Campaign: 15V-777
Subject: 2015-2016 Slingshot
Headlight Jumper Harness Installation
PLEASE READ IMMEDIATELY

Dear Slingshot Owner:

This notice is sent to you in accordance with the requirements of the National Traffic and Motor Vehicle Safety Act. The Slingshot Division of Polaris Industries Inc. has decided that a defect which relates to motor vehicle safety exists in some 2015 and 2016 Slingshot vehicles. Our records indicate that you have purchased a potentially affected vehicle.

The reason for this recall:

Polaris has determined that some Slingshot vehicles were manufactured with a headlight circuit that does not meet Polaris quality standards. In some vehicles, heat buildup in the engine compartment may cause the headlight circuit relay to derate below the required current draw of the headlights. In addition, temperatures produced at the fuse box terminal pin may be higher than desired. The result of such a condition could be a loss of forward lighting function. This could cause decreased visibility for the vehicle operator, increasing the risk of a vehicle crash.

What Polaris and your dealer will do:

Polaris will issue a *Safety Recall Bulletin* to all Slingshot dealers, with the appropriate instructions to install an auxiliary headlight jumper harness. Repairs will be made by an authorized Slingshot dealer at no cost to you. The actual repair should take under one hour to perform; however, it may take longer due to service scheduling requirements.

What you should do:

Contact your authorized Slingshot dealer to schedule an appointment to have the bulletin repairs performed. Do not attempt repairs yourself. Repairs must be done only by an authorized Slingshot dealer.

If you have questions or if you need more information:

While your Slingshot dealer is in the best position to answer your questions, if you have any questions that your dealer cannot address, if you are having difficulty obtaining the recall repair outlined in this letter, or if you need assistance finding a Slingshot dealer, please visit the Slingshot web site at <http://www.polaris.com/en-us/slingshot> or contact our Slingshot Consumer Service Department by calling 1-855-863-2284.

This notice was mailed to you according to our most current registration information. If you no longer own your Slingshot vehicle, please contact your local Slingshot dealer to have the ownership information changed. The Slingshot Consumer Service Department cannot change ownership information without identification. Federal law requires that any vehicle lessor receiving this recall notice must forward a copy of this notice to the lessee within 10 days.

If you have had this repair performed before you received this letter, you may be eligible to receive reimbursement for the cost of obtaining a pre-notification remedy of the problem associated with this recall. For more information regarding reimbursement please contact your Slingshot dealer or the Slingshot Consumer Service Department using the information above.

If you believe that the Slingshot Division of Polaris Industries Inc. has failed to remedy this defect without charge or is unable to do so within a reasonable time, you may submit a complaint to the Administrator, National Highway Traffic Safety Administration, 1200 New Jersey Avenue SE., Washington, D.C. 20590; or call the toll-free Vehicle Safety Hotline at 1-888-327-4236 (TTY: 1-800-424-9153); or on the web go to <http://www.safercar.gov>.

Please accept our apologies for any inconvenience this may cause you. Your safety and continued satisfaction with your Slingshot is our primary concern. Thank you for your prompt attention to this matter.

Sincerely,

Polaris On-Road Vehicles

Service News: "11/30/2015"
[Forward This Email](#)

If this email isn't displaying images, right click on the image and select
 "Download Pictures", or [view it in your browser here.](#)



FEATURED EMPLOYEE

RECENT FIELD COMMUNICATIONS

The following list includes recently released Team Tips, Safety Bulletins, Service Advisories, Service Alerts, and Voice of Victory. Please take the time to visit the dealer STOP Site and familiarize yourself with them.

Safety Bulletins

[I-15-04 A-B](#)

Indian® Safety Bulletin I-15-04 Released

Some 2015-2016 Indian® Full-Size motorcycles have been manufactured with a rear brake master cylinder that does not meet Indian Motorcycle® quality standards. In some vehicles, the rear brake master cylinder piston cup may develop a tear.

[SLI-15-05](#)

Slingshot Safety Bulletin SLI-15-05 Released

Some Slingshot vehicles were manufactured with a headlight circuit that does not meet Polaris quality standards. In some vehicles, heat buildup in the engine compartment may cause the headlight circuit relay to derate below the required current draw of the headlights.

Team Tips

[A-15-10-01](#)

Team Tip A-15-10-01 Released

This Team Tip has been released to assist with the diagnosis of trouble code P1135 - ETC Accelerator Position Fault (SPN 65613 FMI 2). Affects 2015 Sportsman 570 International models equipped with Electronic Throttle Control..

[SLI-15-11-01](#)

Team Tip SLI-15-11-01 Released

The Slingshot Division of Polaris Industries has developed updated rear sprocket retaining nuts and Loctite® on 2016 Slingshot models manufactured after 11/02/2015.

Service Advisories

[ASA-15-01](#)

2016 Sportsman 570 Hunter Edition Front/Rear Brush Bumpers

This Service Advisory has been issued to communicate a specific warranty claim process which empowers dealers to resolve a manufacturing error without requiring pre-authorization from Polaris.

[RSA-15-01](#)

2015 RANGER XP 900 EPS High Lifter Edition - Missing Winch Remote

Polaris has learned that a select number of 2015 RANGER XP 900 EPS High

Each month the North Star Service Solutions Newsletter features a member of the Polaris team. This month's featured team member is **Ron Haselius**.



Ron has been with Polaris for one year as a member of Polaris' in-house 3D/CGI Studio. In this role, he creates the computer-generated images and technical animations of Polaris' vehicles for the web, catalogs, and banners.

Before coming to Polaris, Ron did 3D visualizations in the architecture and engineering fields. He created large virtual models for numerous architectural firms.

Outside of work, Ron's interests include Drum & Bugle Corps competitions, astronomy, and architecture.

Lifter Edition units were shipped without the handheld remote switch for the winch, 4013466.

NEWS AND INFORMATION

New Vehicle Down Order (VDO) and Priority Handling Order (PHO) Policies

The new Vehicle Down Order (VDO) and Priority Handling Order (PHO) Policies are located under News, Forms & Links > PG&A. Every effort will be made to fill Vehicle Down Orders within one business day using all resources within Polaris. In the event the order cannot be filled, items will ship through normal channels when the item becomes available.

- There is no added cost associated with the new VDO Program. A VDO cannot be submitted for in-stock / available parts. If the item is in stock and must be shipped same day, please refer to the PHO Policy for details.
- There is an additional cost to the freight on the new PHO Program. The PHO must be in, and credit approved by 1:00pm CST for guaranteed same-day shipping.
- Regular customer orders do not guarantee same-day shipping.

If you need to check status on a submitted VDO, please allow two business days after the order is submitted to review the auto-generated ASK Polaris case. To view, go to PGA > Purchase Order Inquiry then locate the order and select it to access the case link. You will need to check your purchase order inquiry for confirmation of the order status. Please keep in mind that a VDO does not guarantee that Polaris will fulfill the submitted order. If you have questions about the VDO or PHO Policies, please contact Polaris using ASK Polaris > Non-Tech Parts.

ORV Multipoint Checklist

Polaris has released a multipoint checklist for ORV products that walks through a baseline inspection when a vehicle comes in for service. This form may be found in Service and Warranty - News, Forms and Links.

Click here: [ORV Multipoint Checklist](#)

Warranty Claim Issues

When creating claims from ASK Polaris cases, if the claim fails, or it seems that the claim did not go through, don't forget to check the **Finish A Claim** and **Fix A Claim** areas on your dealer website.

On your dealer homepage, access the "Service & Warranty" drop-down menu and click the link that says "Start a New Warranty Claim." This is to create a warranty claim, but it is also where unresolved claims are found.

- The **Finish A Warranty Claim** area is where claims are found that were not completed, or haven't been fully processed yet. If a claim gets created from an ASK Polaris case, and you closed one of the windows before the claim was able to process, or if there was a hiccup in your internet, check to see if the claim ended up here. If so, click the claim number and then click "Send Claim" to finish the process.
- The **Fix A Warranty Claim** area contains claims that have errors. For instance, if a claim is out of warranty, or the wrong type of warranty claim was selected in the claim, it will end up here. Often times, a vehicle will go out of warranty between the time when an Warranty Authorization case was approved, and the time that the claim was created. This will cause the claim to fail as the claim was originally set up as a standard claim, but now the vehicle is out of the standard warranty period. If this happens, it is possible to go back to the ASK Polaris case that this claim was created from, reactivate it, and notify Polaris of the claim failure. Otherwise, create a new case, or call to have the claim manually pushed through.

Tips on Service Reports

When troubleshooting an issue with a vehicle and looking for assistance from Polaris Tech Service, it's important to become familiar with how to capture and send service reports, as long as the vehicle is compatible with Digital Wrench. Here are a few tips and facts to remember when using this feature in Digital Wrench:

- **Dealer Number** - Make sure that your dealer name and dealer number are set up properly in the Digital Wrench settings. After Digital Wrench has opened, there is a button with a Crescent Wrench on it; click that button to access the System Configuration. This page has multiple items, including your dealership information. Ensure that the "Dealer Number" field has your five-digit dealer number, and "00" after it for domestic dealers, or "01" after it for

Canada. If your number is not in this format, it will prevent Service Reports from being sent to the Unit Inquiry feature on the Polaris dealer website.

- **"View Current" Feature** - When you first double-click on the word "Service Report" to go into the feature, that's when it captures the first service report. Once you are in the Service Report feature, click on the "View Current" button in the window to capture a new snapshot of the readings at that moment; then you are able to view, send, and/or save the new report. Using the "View Current" feature can be especially helpful when trying to capture a report at the split second that a vehicle is exhibiting a certain behavior.
- **Vehicle "Birth certificates"** - It is important to create and send service reports on new vehicles during PDI before they leave your dealership, these reports are often called "Birth Certificates." Birth Certificates offer a view of what a vehicle's sensor data looked like when the vehicle was in proper working condition, for comparison to other reports (if the vehicle is ever in the shop for run-ability issues in the future).
- **"Wrong Vehicle Selected" Feature** - Whenever you get the error message, "Wrong Vehicle Selected", you can still send a service report. Digital Wrench thinks that you've selected the wrong vehicle, but this means that it is reading the ECU, and it sees that the model number clashes with the vehicle year and model that you selected. When this message is displayed, it still allows you to click on the Special Test menu and select the Service Report feature. From there, you can create, view, send and save reports.

Please refer to Team Tip [G-11-01-02](#) for further instruction on sending Service Reports and other tips.

Introducing the **NEW** Polaris Dealer Equipment and Services Program!

Polaris dealers are the key to success the of Polaris' growth in both units sold, and product lines offered. To continue to provide the service and support customers expect, dealers are updating and expanding their service facilities. Dealers are looking for new service equipment from Polaris to ensure they are maximizing their service department's efficiency, safety, and profitability. To achieve this, Polaris Industries, Inc. teamed up with Bosch Automotive Service Solutions, Inc. to launch the Polaris Dealer Equipment Program at the 2015 Summer Sales Meeting.



"Working with Polaris to develop a program that would meet the needs of the dealers, over a 12 month period we visited dealers across the U.S. and Canada. Through our visits, we were able to put together, and launch, an Equipment & Services Program. The program gives dealers easy access to the Polaris approved equipment required to properly service new products, such as the Slingshot and larger Ranger & RXR Off-Road vehicles, as well as offering a specialized facility planning service which can help every dealer build an efficient service and parts department." -Clint Perry, Regional Key Account Manager at Bosch.



This program is tailored for the Powersports industry, specifically Polaris dealers. Purchase from the program with piece of mind knowing that the equipment and products have been reviewed and approved for use specifically with Polaris products.

Through this program, Bosch is bringing a number of key features and benefits to Polaris dealers, including:

- One-stop-shopping for overall service equipment needs for dealers.
- Access to thousands of authorized products and equipment for servicing Polaris vehicles.
- Strong purchasing power and a source for dealership equipment service and product warranty questions.
- Ongoing promotions, product updates, and an online equipment catalog.

- Equipment and systems planning: free facility planning for all Service and Parts Department areas when the program is utilized to outfit the areas being developed.
- Experienced personnel: localized Sales Representatives providing individual attention to your dealership needs (see website for contact information).
- Competitive financing and leasing options.

Visit the US program online catalog at www.PolarisDealerSolutions.com or by calling 1-855-804-7390. There is currently an ongoing promotion through the end of 2015 with special pricing on wheel and tire service equipment, lifts, and a variety of other items.

Attention Indian Technicians!

Are you looking for some extra \$\$ this holiday season? Would you like to have your voice heard and contribute to the creation of Indian® MSD Gold? Here's your chance to share your experiences with the rest of the community by answering seven quick questions.

We will draw five names at random and send out five Visa gift cards. One winner will receive a \$100 gift card and four lucky additional winners will receive \$50 gift cards. BUT - you must be Indian Silver certified to be eligible.

So, here's what you need to do:

1. Be Indian® MSD Silver certified.
2. Visit <https://www.surveymonkey.com/r/Indian-Gold-Survey> by December 15th, 2015.
3. Be awesome and share your experiences.

Introducing the Polaris GENERAL™, the New Standard in Off-Road Versatility



The 2016 Polaris GENERAL 1000 EPS will be arriving in dealerships soon. A Service Communication Poster outlining vehicle service publications, tools and training has been posted on the dealer website under News, Forms & Links in the Service and Warranty dropdown. Review the poster for an overview of service requirements on the new standard in off-road versatility.

2016 Gold Master Service Dealer (MSD) Classes

Gold MSD classes for the first half of 2016 are now posted to www.universityofpolaris.com. Please register early as classes fill fast and seats are limited on a first come, first served basis.

MSD Classroom Training Schedule

To check your MSD status or check training schedules, please refer to the Dealer Dashboard (*Dealer Website*> *Service and Warranty*) or information is also available 24/7 on www.universityofpolaris.com.

If you do not find an answer to your question, do not hesitate to enter an ASK Polaris case or call Dealer Services at 1-800-330-9407.

2015 December All Classes 8:00 AM-5:00 PM	
ORV GOLD	
Plymouth, MN	Dec. 8-11
SNOW GOLD	
Canton, NY	Dec. 8-10

November Tablet Winner

All new subscribers whom signed up between August 1, 2015 and November 19, 2015 were entered into a drawing for a tablet computer. The winner is John MacAusland at Polaris of Cornwall PE.

TRIVIA

For a chance to win, correctly respond via email to the trivia below with the answer to the question by December 10, 2015. *Please include the address of your dealership in your email and your first and last name.* You will be entered into this month's prize drawing.

Submit trivia responses to:

PolarisService.Newsletters@polaris.com

October Trivia Answer

In 2005 Polaris went into partnership with which Austrian power-sports firm?

Answer: KTM

Congratulations to Matthew Matkovic at Polaris of Cochrane, AB for answering the October trivia question correctly! Look for your prize in the mail!

November Trivia

Polaris ATV vehicles may display trouble code P1135, what does this code mean?

[Register a friend](#) | [Unsubscribe](#)

The information contained within this email is confidential and protected by U.S. and international copyright laws, and is the property of Polaris Industries Inc. This document is provided for the sole use of authorized Polaris dealers and distributors. This document is not to be distributed, duplicated, or copied, digitally or otherwise, without the written consent of Polaris Industries Inc. © 2015 Polaris Industries Inc.

© 2015 Polaris Industries Inc.
2100 Highway 55, Medina, MN 55340, USA

