

Air Dryer Mounting Bracket, Installation
VN, VHD

FSB 561-029, Air Dryer Mounting Bracket, Installation

(May 2021)

Certain Volvo VN and VHD trucks built from March 25, 2019 to April 30, 2021 and having Wabco air dryers, may experience the air dryer cartridge contacting the underside of the deck plate. This contact could potentially cause damage to the air dryer cartridge. To correct the interface Volvo Trucks has released an updated air dryer mounting bracket which will relocate the air dryer assembly 27.5 millimeters down and away from the contact area.

Solution

If this condition exists, follow the procedures outlined in this Field Service Bulletin (FSB). Order parts listed in required parts section and repair vehicle as per standard instructions in Impact. Install the air drier mounting bracket as per instructions outlined in this Field Service Bulletin (FSB).

Required Parts

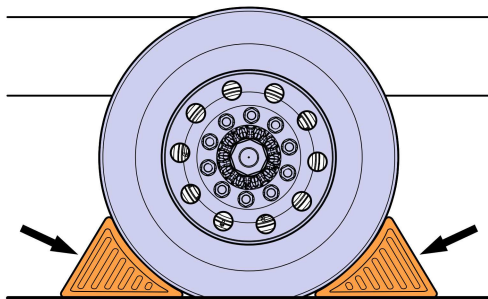
Part Description	Part Number	Quantity
Air dryer bracket	23923111	1
Flange screw	8397042	3
Spacer sleeve	994942	2
Flange screw	994208	3

Decommissioning the Truck for Repair

You must read and understand the precautions and guidelines in Service Information, group 30, "General Safety Practices, Electrical" before performing this procedure. If you are not properly trained and certified in this procedure, ask your supervisor for training before you perform it.

NOTE: Information is subject to change without notice. Illustrations are used for reference only and can differ slightly from the actual vehicle being serviced. However, key components addressed in this information are represented as accurately as possible.

- 1 Park the vehicle on a flat and level surface.
- 2 Apply the parking brake.
- 3 Place the gear lever in neutral.
- 4 Install the wheel chocks.



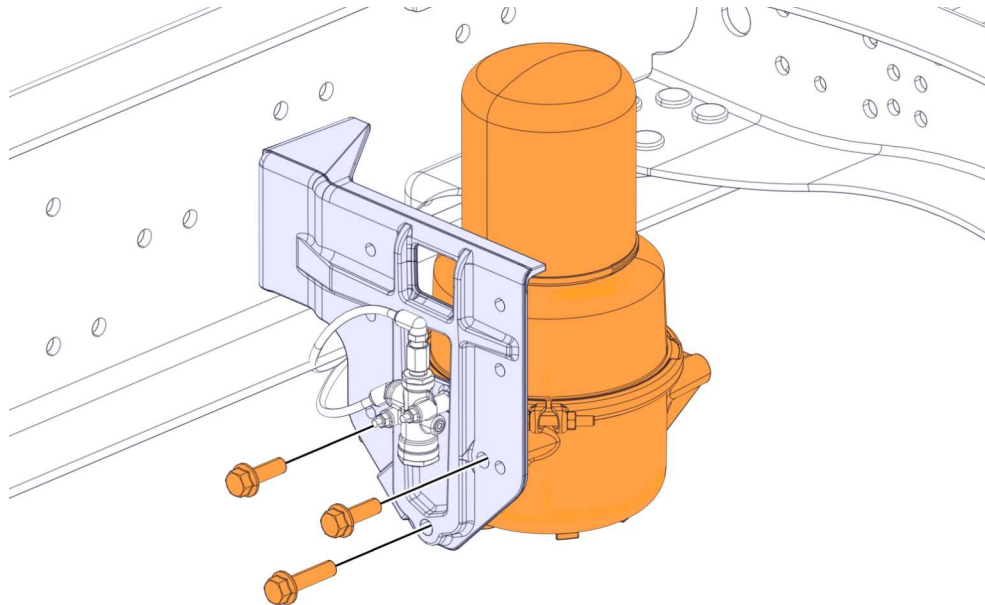
W7086748

- 5 Drain the pneumatic system.

Note: The pneumatic system must be depressurized before removing the hoses or the pipes.

Air Dryer Mounting Bracket, Installation

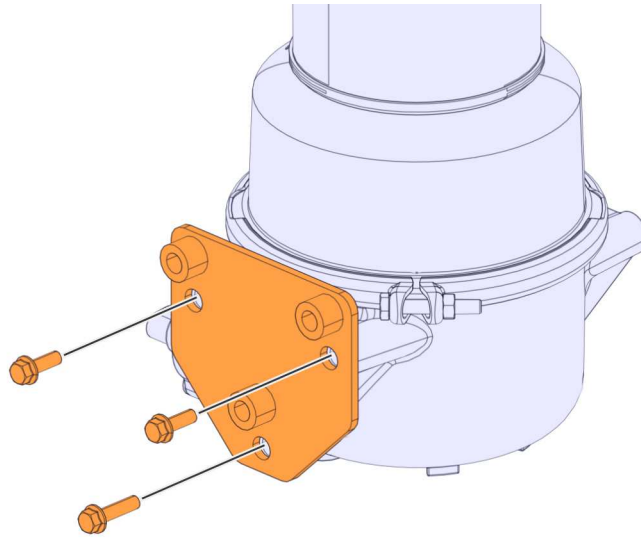
- 1 Remove the screws.
- 2 Remove the air dryer.



C5172317

Air Dryer Mounting Bracket, Installation

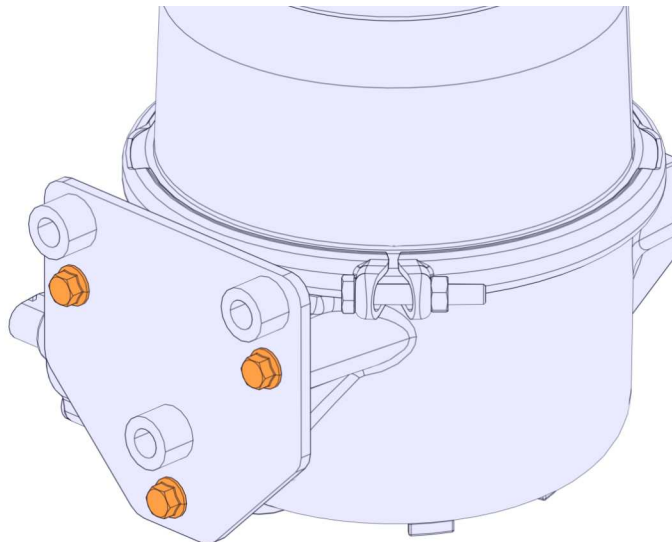
- 1 Install the bracket.
- 2 Install the screws.



C5172318

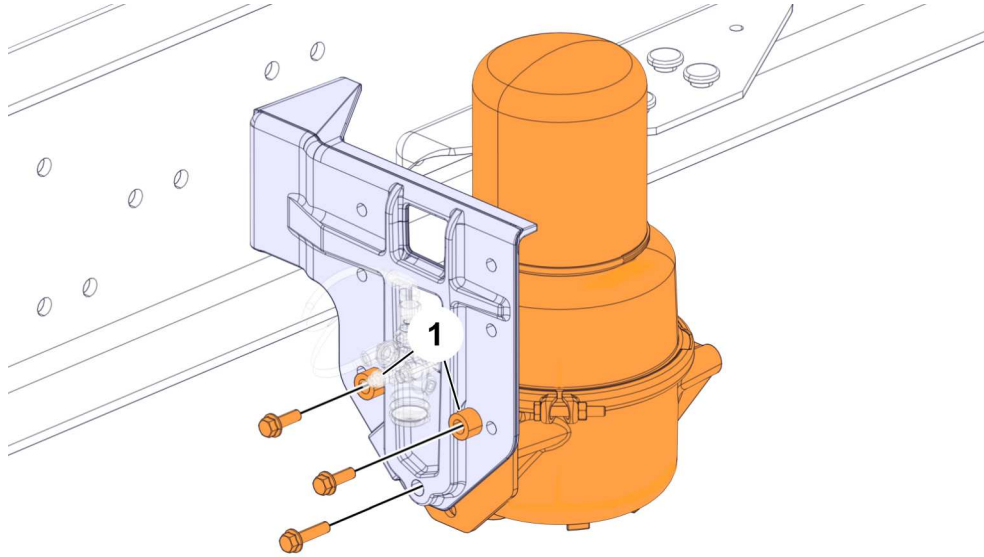
Part Description	Part Number	Quantity
Air dryer bracket	23923111	1
Flange screw	8397042	3

- 3 Torque tighten the screws 60 ± 10 Nm (44 ± 7 lb.-ft.).



C5172320

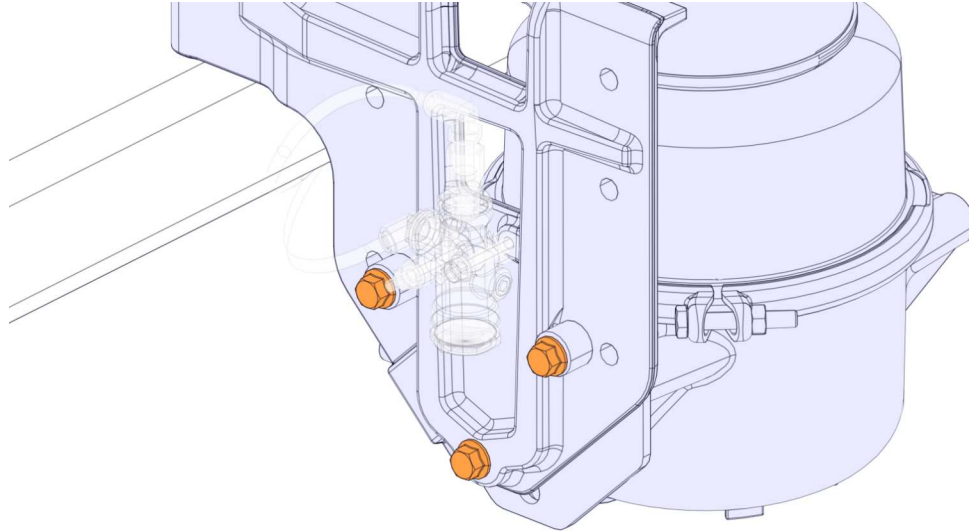
- 4 Install the air dryer.
- 5 Install the spacers sleeve(1).
- 6 Install the screws.



C5172322

Part Description	Part Number	Quantity
Spacer sleeve	994942	2
Flange screw	994208	3

- 7 Torque tighten the screws 60 ± 10 Nm (44 ± 7 lb.-ft.).

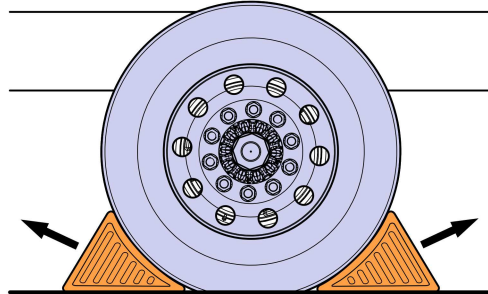


C5172321

Note: After the mounting bracket is installed, verify the air dryer and/or the mounting bracket does not make contact with any part of the airline bundle

Commissioning the Truck for Operation

- 1 Remove the wheel chocks.



W7086759

- 2 Place the gear lever in neutral.
Note: Ensure that the handbrake is applied.
- 3 Start the engine.
- 4 Fill the pneumatic system.
- 5 Check the repair for leakage.

Reimbursement

This repair may be eligible for reimbursement if a product failure was experienced within time and mileage limits of the applicable Warranty coverage. Reimbursement is obtained via the normal claim handling process.	UCHP Reimbursement
Claim Type (used only when uploading from the Dealer Bus. Sys.)	01
Labour Code Air Dryer Mounting Bracket, Installation	5618-02-09-01 0.4 hrs.
Causal Part	23036625

Volvo Trucks North America reserves the right to make any changes in design or to make additions to or upon its products without incurring any obligations to install the same on vehicles previously built.