



STAR ONLINE PUBLICATION



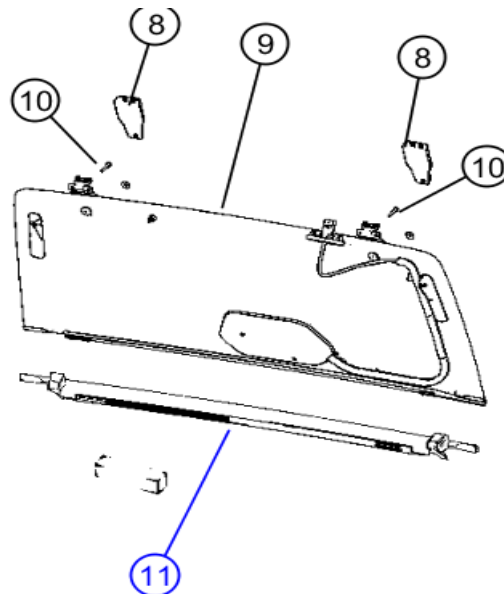
Case Number: S2123000029

Release Date: May 2021

Symptom/Vehicle Issue: Squeak and or Chirp Noise From Lift Gate Glass

Customer Complaint/Technician Observation: In body twist maneuvers or on rough roads the rear liftglass may have a BSR (buzz, squeak, rattle). The noise could be intermittent and be influenced by temperature.

Discussion: Inspect the liftglass to body seal. If any damage is found replace. If the seal is ok, apply Mopar Weatherstrip Lubricant 04773427AB to the glass to rubber contact surface. See figure below item 11



This document does not authorize warranty repairs. This communication documents a record of past experiences. STAR Online does not provide any conclusions about what is wrong with the vehicle. Rather, it captures all previous cases known that appear to be similar or related to the vehicle symptom / condition. You are the expert, and you are responsible for deciding on the appropriate course of action.

Contact STAR Center, or your Technical Assistance Center Via TechCONNECT or eCONTACT ticket if no solution is found



STAR ONLINE PUBLICATION



This document does not authorize warranty repairs. This communication documents a record of past experiences. STAR Online does not provide any conclusions about what is wrong with the vehicle. Rather, it captures all previous cases known that appear to be similar or related to the vehicle symptom / condition. You are the expert, and you are responsible for deciding on the appropriate course of action.

Contact STAR Center, or your Technical Assistance Center Via TechCONNECT or eCONTACT ticket if no solution is found