

Smoker Package (I-no. 583)

Concern: **Retrofitting**

Model Year: **As of 2017**

Note: Ashtray and cigarette lighter instead of the oddments tray in the front center console.



Parts Info.: **991.044.901.40** ⇒ Smoker package

Parts list:	991.553.141.02 DML	1 x	Ashtray, complete
	9P1.971.641.C	1 x	Wire harness for center console

Work Procedure: 1 Preparatory work:

- 1.1 Connect a battery charger. ⇒ *Workshop Manual '2X00IN Battery trickle charging'*
- 1.2 Remove center console trims at the sides and footwell outlet vents. ⇒ *Workshop Manual '681419 Removing and installing centre console trim'*
- 1.3 **Only for PDK:** Remove selector knob. ⇒ *Workshop Manual '370419 Removing and installing knob'*
- 1.4 **Only for manual transmission:** Remove shift-lever knob. ⇒ *Workshop Manual '340419 Removing and installing shift-lever knob'*

- 1.5 Remove center console cover and selector lever cover. ⇒ *Workshop Manual '681919 Removing and installing centre console cover'*
- 1.6 Remove switch console. ⇒ *Workshop Manual '962719 Removing and installing switch console'*
- 1.7 Remove front oddments tray. ⇒ *Workshop Manual '681619 Removing and installing oddments tray'*
- 1.8 Remove center console (upper part). ⇒ *Workshop Manual '68171901 Removing and installing centre console (upper part)'*
- 1.9 Remove rear oddments tray. ⇒ *Workshop Manual '681619 Removing and installing oddments tray'*
- 1.10 **Only for PDK:** Remove selector support. ⇒ *Workshop Manual '370819 Removing and installing selector support'*
- 1.11 **Only for manual transmission:** Remove gearshift bracket. ⇒ *Workshop Manual '340819 Removing and installing gearshift bracket'*
- 1.12 Remove center console (lower part). ⇒ *Workshop Manual '68171900 Removing and installing centre console (lower part)'*



Information

The number of plug connections can vary, depending on equipment.

- 2 Convert electric wire harness for centre console.
 - 2.1 Remove standard wire harness.
 - 2.1.1 Disconnect plug connection for interior sensor ⇒ *Figure 2 -arrow-*.

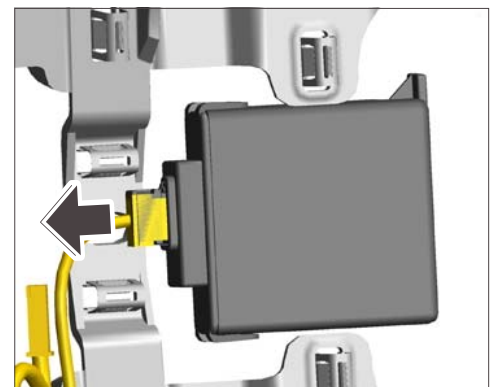


Figure 2

- 2.1.2 Release connector ⇒ *Figure 3-1-* and pull it off.
- 2.1.3 Pull off front clip ⇒ *Figure 3-3-*.
- 2.1.4 Carefully pull out standard wire harness at the clips ⇒ *Figure 3-2-*.



Information

Plug connections that are not required are secured to the wire harness.

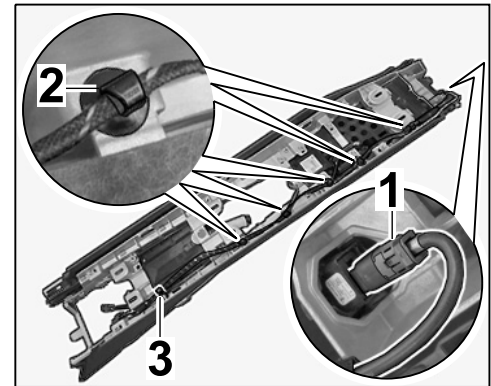


Figure 3

- 2.2 Install new wire harness for centre console.

3 Concluding work:

- 3.1 Install center console (lower part). ⇒ *Workshop Manual '68171900 Removing and installing centre console (lower part)'*
- 3.2 **Only for manual transmission:** Install gearshift bracket. ⇒ *Workshop Manual '340819 Removing and installing gearshift bracket'*
- 3.3 **Only for PDK:** Install selector support. ⇒ *Workshop Manual '370819 Removing and installing selector support'*
- 3.4 Install rear oddments tray. ⇒ *Workshop Manual '681619 Removing and installing oddments tray'*
- 3.5 Install center console (upper part). ⇒ *Workshop Manual '68171901 Removing and installing centre console (upper part)'*
- 3.6 Install front ashtray. ⇒ *Workshop Manual '682019 Removing and installing front ashtray'*
- 3.7 Install switch console. ⇒ *Workshop Manual '962719 Removing and installing switch console'*
- 3.8 Install center console cover and selector lever cover. ⇒ *Workshop Manual '681919 Removing and installing centre console cover'*
- 3.9 **Only for manual transmission:** Install shift-lever knob. ⇒ *Workshop Manual '340419 Removing and installing shift-lever knob'*
- 3.10 **Only for PDK:** Install selector knob. ⇒ *Workshop Manual '370419 Removing and installing knob'*
- 3.11 Install center console trims at the sides and footwell outlet vents. ⇒ *Workshop Manual '681419 Removing and installing centre console trim'*

- 4 Code smoker package.

NOTICE**Voltage drop**

- Risk of irreparable damage to control unit
 - Risk of damage to control unit
 - Fault entries in the control unit
 - Coding in the control unit is aborted
 - Malfunctions in control unit, even during programming
- ⇒ Switch off the ignition and remove the ignition key before disconnecting the control unit.
- ⇒ Ensure that the power supply is not interrupted during programming.
- ⇒ Connect a battery charger with a current rating of at least Nominal value 70 A to the vehicle battery.

**Information**

The **9818 - PIWIS Tester II** instructions take precedence since the description may be different with later Tester releases.

The procedure described here has been structured in general terms; different text or additional information may be displayed.

- 4.1 Maintenance of vehicle data.
- 4.1.1 **9818 - PIWIS Tester II** must now be connected and the ignition switched on.
- 4.1.2 Select vehicle type. PIWIS Tester II Diagnostics starts.
- 4.1.3 **Additional menu** must be selected by pressing •F7" . Press •F11" to confirm the question "Create vehicle analysis log (VAL)?".
- 4.1.4 Select the **Maintenance of vehicle data** function.
Press •F12" until **M numbers** appears in the Value group column.
- 4.1.5 Select **583 – Smoker package** in the Coding value column.
Touch the **Installed** cell – a tick appears behind the value **583 – Smoker package**.
Press •F8" to save the value. The message **Modified values have been buffered** appears.
- 4.1.6 A table containing the values to be changed appears.
Save the values by pressing •F8" .
Wait until the message **Generation of vehicle data is complete.....** appears.
- 4.1.7 Press •F12" to switch to Report management.

Open the log by pressing •F10“ and check that vehicle equipment **Smoker package – 583** has been entered. Close the log.

- 4.1.8 Read out the fault memories of all systems, work through any existing faults and erase the fault memories. ⇒ *Workshop Manual '033500 Fault memory for on-board diagnosis'*
- 4.1.9 Switch off the ignition and disconnect **9818 - PIWIS Tester II**.
- 4.2 Perform function test on cigarette lighters.
- 4.3 Disconnect the battery charger. ⇒ *Workshop Manual '2X00IN Battery trickle charging'*

68203180: Installing smoker package

Labor time: **188 TU**

Important Notice: Technical Bulletins issued by Porsche Cars North America, Inc. are intended only for use by professional automotive technicians who have attended Porsche service training courses. They are written to inform those technicians of conditions that may occur on some Porsche vehicles, or to provide information that could assist in the proper servicing of a vehicle. Porsche special tools may be necessary in order to perform certain operations identified in these bulletins. Use of tools and procedures other than those Porsche recommends in these bulletins may be detrimental to the safe operation of your vehicle, and may endanger the people working on it. Properly trained Porsche technicians have the equipment, tools, safety instructions, and know-how to do the job properly and safely. If a particular condition is described, do not assume that the bulletin applies to your vehicle, or that your vehicle will have that condition. See your authorized Porsche Dealer for the latest information about whether a particular technical bulletin applies to your vehicle. Part numbers listed in these bulletins are for reference only. Always check with your authorized Porsche dealer to verify the current and correct part numbers. The work procedures updated electronically in the Porsche PIWIS diagnostic and testing device take precedence and, in the event of a discrepancy, the work procedures in the PIWIS Tester are the ones that must be followed.

© Porsche Cars North America, Inc.

Dealership	Service Manager	_____	Shop Foreman	_____	Service Technician	_____	_____	_____	_____
Distribution									
Routing	Asst. Manager	_____	Warranty Admin.	_____	Service Technician	_____	_____	_____	_____

Dr. Ing. h.c. F. Porsche AG is the owner of numerous trademarks, both registered and unregistered, including without limitation the Porsche Crest®, Porsche®, Boxster®, Carrera®, Cayenne®, Cayman®, Macan®, Panamera®, Speedster®, Spyder®, 918 Spyder®, Tiptronic®, VarioCam®, PCM®, PDK®, 911®, RS®, 4S®, FOUR, UNCOMPROMISED®, and the model numbers and the distinctive shapes of the Porsche automobiles such as, the federally registered 911 and Boxster automobiles. The third party trademarks contained herein are the properties of their respective owners. Porsche Cars North America, Inc. believes the specifications to be correct at the time of printing. Specifications, performance standards, standard equipment, options, and other elements shown are subject to change without notice. Some options may be unavailable when a car is built. Some vehicles may be shown with non-U.S. equipment. The information contained herein is for internal authorized Porsche dealer use only and cannot be copied or distributed. Porsche recommends seat belt usage and observance of traffic laws at all times.

Printed in the USA