

WMD5 - Replacing Dashboard Loudspeaker Cover (Center) (Workshop Campaign)

Vehicle Type: **911 Carrera S (992)**
911 Carrera 4S (992)
911 Turbo S (992)

Model Year: **As of 2020 up to 2021**

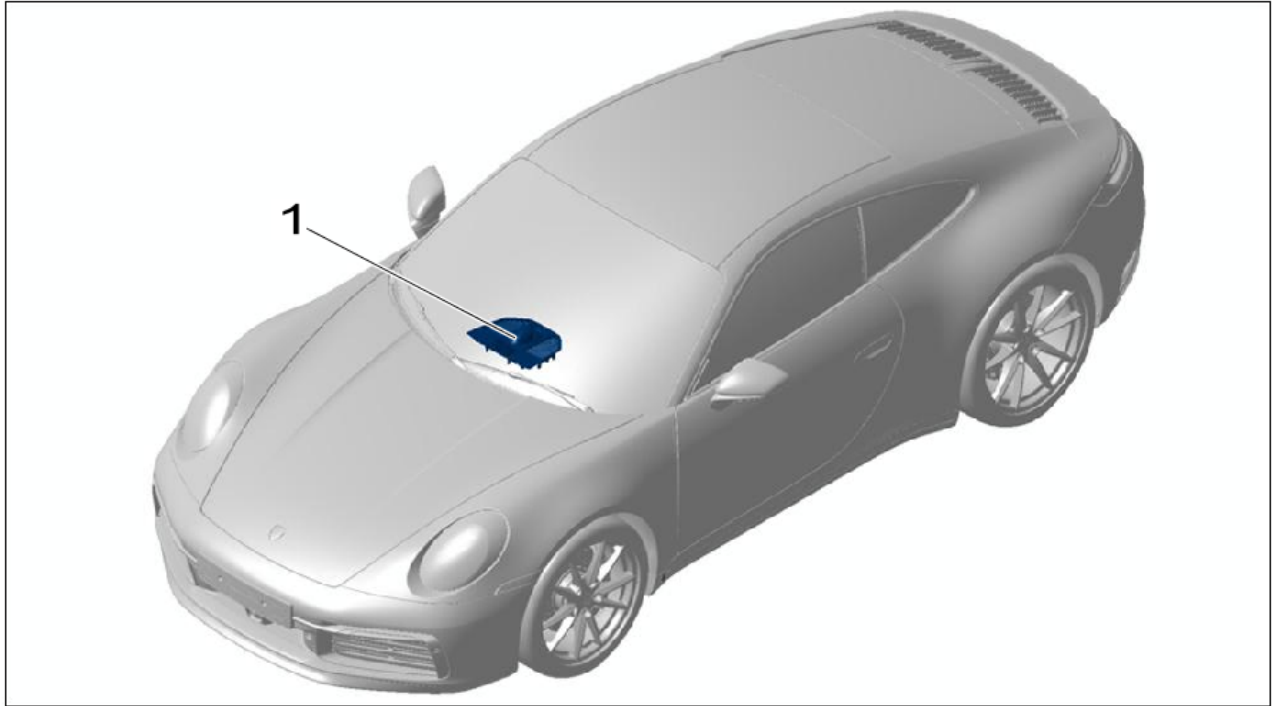
Concerns: **Dashboard loudspeaker cover (center)**

Reason: Due to insufficient parts availability, the standard painted cover was installed instead of the ordered dashboard loudspeaker cover (center) in leather on the affected vehicles.

Action required: For this reason, the painted dashboard loudspeaker cover (center) installed on the affected vehicles at the factory must be replaced with the leather version. ⇒ *Technical Information 'Replacing dashboard loudspeaker cover (centre)'*

Affected Vehicles: Only vehicles assigned to the campaign (see also PCSS Vehicle Information).

Installation
Position:



Installation location for dashboard loudspeaker cover (center)

1 – Dashboard loudspeaker cover (center)

Parts required

Parts Info:



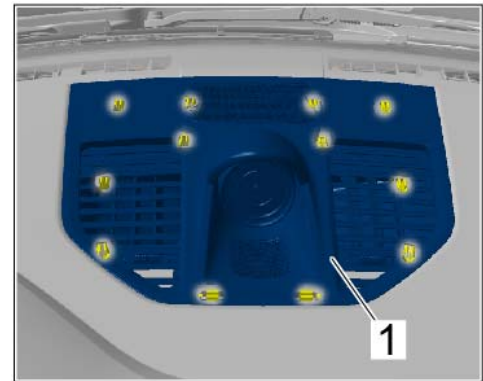
Information

When ordering the component, the appropriate color variant of the component must be selected. See PET III# 809-050 item# 3 for correct part number including color code.

Part No.	Designation	Qty.
992819110D	⇒ Trim with outlet vent	1 ea.

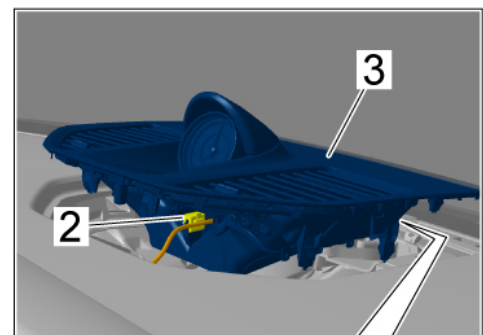
Replacing dashboard loudspeaker cover (center)

Work Procedure: 1 Unclip trim panel for (center) loudspeaker ⇒ *Trim panel for (center) loudspeaker -1-* and remove it until the electric plug connection is accessible.



Trim panel for (center) loudspeaker

- 2 Remove trim panel for (center) loudspeaker ⇒ *Electric plug connection -3-*.
 - 2.1 Release and disconnect electric plug connection ⇒ *Electric plug connection -1-*.
 - 2.2 Unclip line bracket ⇒ *Electric plug connection -2-* with section of line for stopwatch.
 - 2.3 Remove trim panel for (center) loudspeaker ⇒ *Electric plug connection -3-*.
- 3 Installation of new dashboard loudspeaker cover (center) in reverse order.



Electric plug connection

Warranty processingScope: **Replacing dashboard loudspeaker cover (center)****Working time:**

Removing and installing trim panel for loudspeaker

Labor time: **28 TU**

Includes: Removing and installing trim panel for front (center) loudspeaker
Disconnecting and connecting stopwatch / wiring harness

Parts required:

992819110D Trim with outlet vent 1 ea.

⇒ **WMD5 066 000 2**

Important Notice: Technical Bulletins issued by Porsche Cars North America, Inc. are intended only for use by professional automotive technicians who have attended Porsche service training courses. They are written to inform those technicians of conditions that may occur on some Porsche vehicles, or to provide information that could assist in the proper servicing of a vehicle. Porsche special tools may be necessary in order to perform certain operations identified in these bulletins. Use of tools and procedures other than those Porsche recommends in these bulletins may be detrimental to the safe operation of your vehicle, and may endanger the people working on it. Properly trained Porsche technicians have the equipment, tools, safety instructions, and know-how to do the job properly and safely. Part numbers listed in these bulletins are for reference only. The work procedures updated electronically in the Porsche PIWIS diagnostic and testing device take precedence and, in the event of a discrepancy, the work procedures in the PIWIS Tester are the ones that must be followed.

© 2021 Porsche Cars North America, Inc.