

**August 13, 2021**

Version 1

## 9" Center Display Buzz or Ticking Sound

### AFFECTED VEHICLES

| Year | Model | Trim Level | VIN Range |
|------|-------|------------|-----------|
| 2022 | Civic | Touring    | ALL       |

### SYMPTOM

A buzz or ticking sound is heard from the center display.

### POSSIBLE CAUSE

There is a gap between the center display unit and the dashboard causing vibrations.

### CORRECTIVE ACTION

Apply wool felt tape to the lower corners of the center display unit.

### REQUIRED MATERIALS

| Part Name  | Part Number   | Quantity |
|--|---------------|----------|
| Wool Felt Tape (One roll repairs 1,000 vehicles) | 06993-SA5-000 | 1        |

### WARRANTY CLAIM INFORMATION

The normal warranty applies.

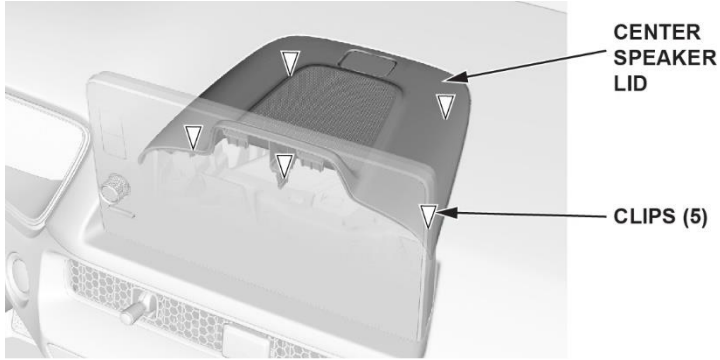
| Operation Number | Description  | Flat Rate Time | Defect Code | Symptom Code | Template ID | Failed Part Number |
|------------------|--|----------------|-------------|--------------|-------------|--------------------|
| 0160A0           | Apply wool felt tape to the bottom of the center display unit. | 0.6 hr.        | 06201       | 04201        | A21063A     | 8A700-T20-A01      |

Skill Level: Repair Technician

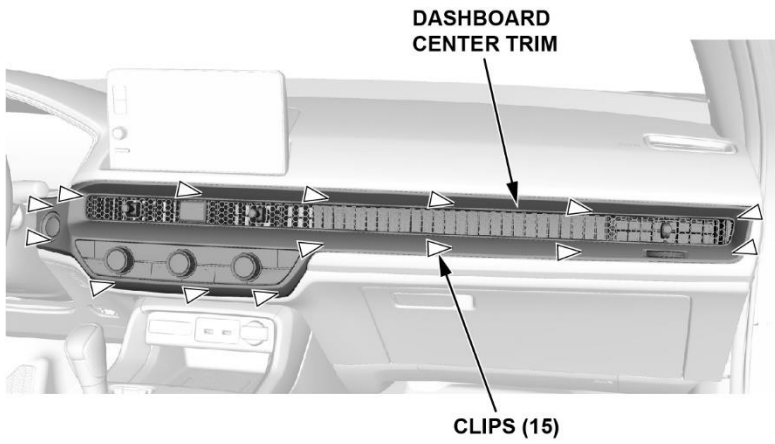
**CUSTOMER INFORMATION:** The information in this bulletin is intended for use only by skilled technicians who have the proper tools, equipment, and training to correctly and safely maintain your vehicle. These procedures should not be attempted by "do-it-yourselfers," and you should not assume this bulletin applies to your vehicle, or that your vehicle has the condition described. To determine whether this information applies, contact an authorized Honda automobile dealer.

## REPAIR PROCEDURE

1. Remove the center speaker lid.

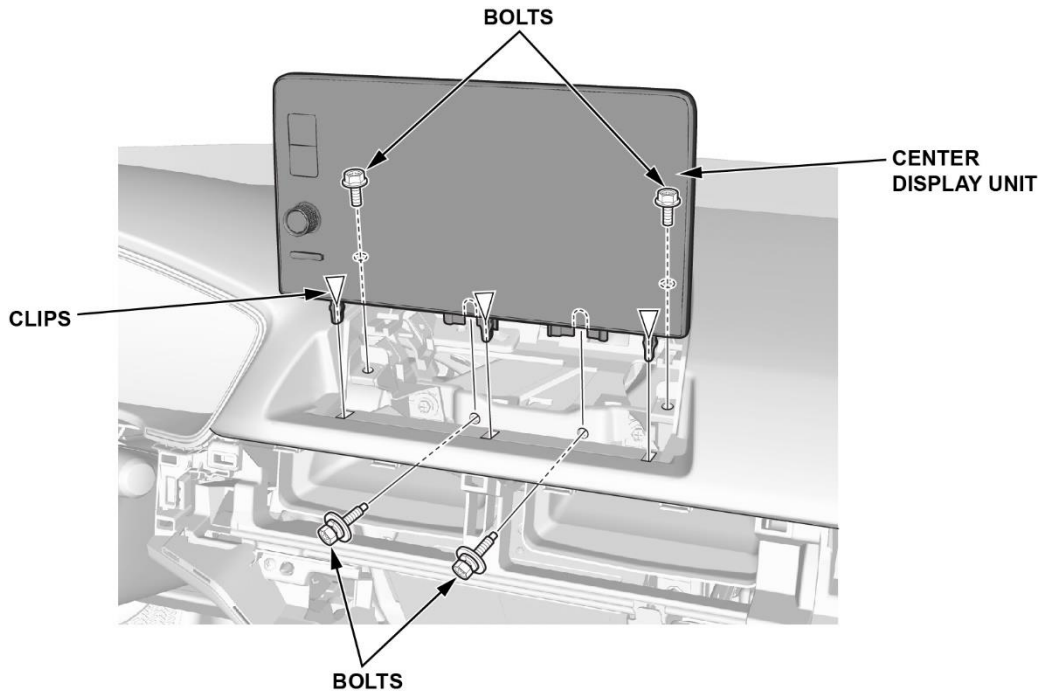


2. Remove the dashboard center trim.



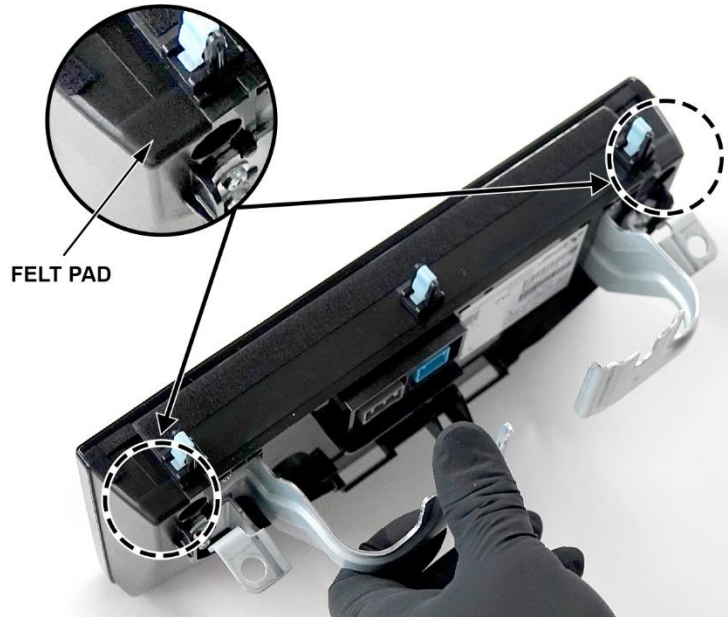
3. Remove the center display unit.

NOTE: Use caution to prevent damaging the center display unit.



4. Apply 5 x 10 x 1 mm pieces of felt tape as shown in the location shown on both sides, then install the center display unit.

NOTE: Make sure the felt is not visible after screen installation.



5. Install the parts in the reverse order of removal.
6. Do the climate control unit Self-Diagnostic Function with the HDS.

END