

# 2022 Highlander, Highlander HV Pre-Delivery Service (PDS)

**Service Category** General

**Section** Pre-Delivery Service

**Market** USA

Toyota Supports  
 ASE Certification 

## Applicability

YEAR(S)	MODEL(S)	ADDITIONAL INFORMATION
2022	Highlander, Highlander HV	

## Introduction

Pre-Delivery Service (PDS) is a critical step in satisfying our new car customers. Customer feedback indicates the following areas deserve special attention when performing PDS:

- Careful inspection for paint chips/scratches and body dents/dings.
- Proper operation of electrical accessories (including interior light, clock, and radio reset).
- Interior cleanliness.
- Proper function of mechanical systems.

Customer retention and proper maintenance of vehicles are and have always been a major focus for Toyota. To help remind customers that regular service is essential to the proper maintenance of the vehicle, dealers are required to install a service reminder sticker before delivery. By doing this, customers will be reminded to return to your dealership for service. Your current service reminder sticker may be used. (See PDS Check Sheet item 8 of “Final Inspection and Cleaning.”)

This bulletin contains the PDS procedures that apply specifically to 2022 model year Highlander and Highlander Hybrid vehicles. A universal PDS [Check Sheet](#) that contains PDS steps that apply to all 2022 model year Toyota vehicles has been developed. To properly perform a complete PDS, you must complete all procedures contained in this TSB as well as the universal PDS [Check Sheet](#).

In addition, if the vehicle is stored for over 30 days, be sure to follow [Long-Term Vehicle Storage Guidelines](#).

## 2022 Highlander, Highlander HV Pre-Delivery Service (PDS)

### Warranty Policy

If the need for additional repairs or adjustment is noted during PDS, the required service should be performed under warranty. Reimbursement will be managed under the warranty policy.

**The Warranty Policy and Procedures Manual requires that you maintain the completed Check Sheet in the customer's file.** If you cannot produce a completed form for each retailed vehicle upon TMS and/or Region/Distributor audit, the PDS payment amount will be subject to debit.

An additional Repair Order completed in conjunction with normal PDS MUST have time punch/flags for service. If multiple repairs are performed, separate time flags MUST be punched for each repair.

### Warranty Information

OP CODE	DESCRIPTION	MODEL	TIME	OFP	T1	T2
001013	Pre-Delivery Service (PDS)	Highlander	1.0	-	-	-
		Highlander HV	1.4			

### Required Tools & Equipment

REQUIRED EQUIPMENT	SUPPLIER	PART NUMBER	QTY
Techstream ADVi*	ADE	TSADVUNIT	1
Techstream 2.0		TS2UNIT	
Techstream Lite		TSLITEPDLR01	
Techstream Lite (Green Cable)		TSLP2DLR01	

\*Essential SST.

#### NOTE

- Only ONE of the Techstream units listed above is required.
- Software version 16.20.027 or later is required.
- Additional Techstream units may be ordered by calling Approved Dealer Equipment (ADE) at 1-800-368-6787.

## 2022 Highlander, Highlander HV Pre-Delivery Service (PDS)

### Procedures

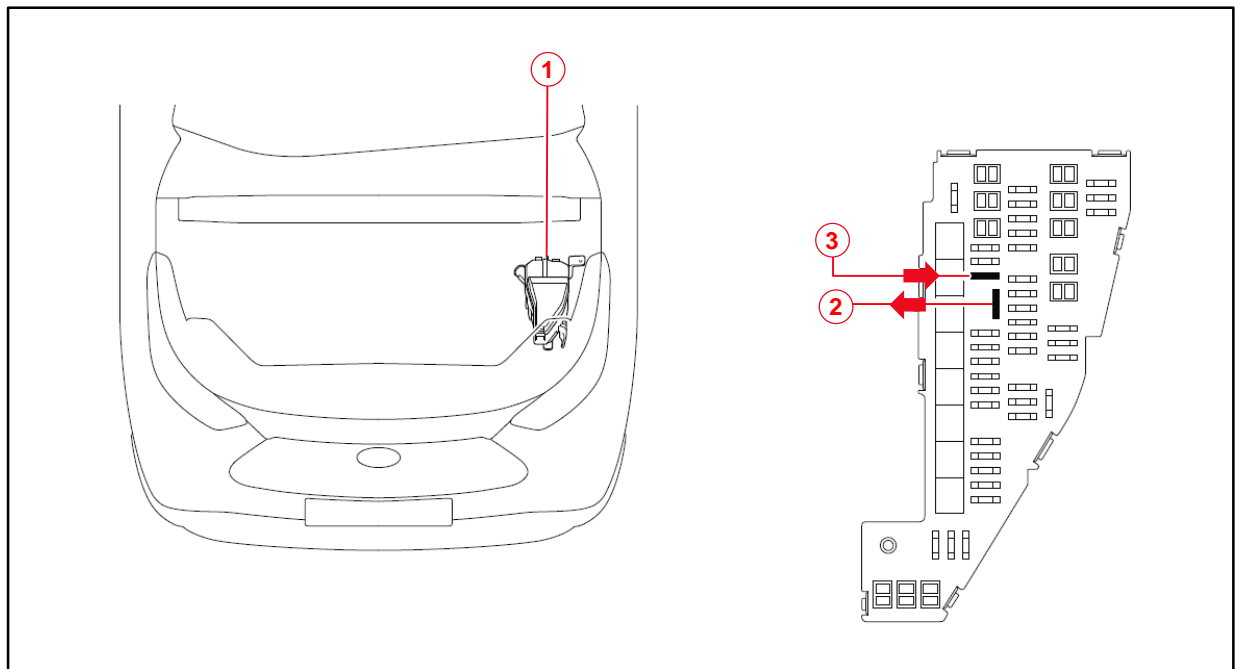
- [D/C Cut Fuse Installation](#) ..... 3
- [Seating Position Control ECU Initialization\\*](#) ..... 4
- [Memorize Steering Angle Neutral Point\\*](#) ..... 4
- [Perform Steering Sensor Zero Point Calibration\\*](#) ..... 4
- [Front License Plate and Mounting Bracket Installation\\*](#) ..... 5
  - [Installation Procedure \(Type A\)](#) ..... 5
  - [Installation Procedure \(Type B\)](#) ..... 6
- [Installation of Rubber Body Plugs\\*](#) ..... 7
- [Tire Pressure Warning System \(TPWS\) Initialization](#) ..... 8
- [Dealer Contact Information for Call Dealer Head Unit Function](#) ..... 8
- [Entune™ 3.0 App Suite Connect Initialization/Update](#) ..... 8

\*If applicable.

### D/C Cut Fuse Installation

To minimize battery discharge, the D/C cut fuse (25A) has been removed and is stored in the engine compartment relay block. Install the D/C cut fuse (25A) and confirm ALL related Diagnostic Trouble Codes (DTCs) are cleared.

**Figure 1.**



<b>1</b>	<b>Relay Block</b>
<b>2</b>	<b>Remove D/C Cut Fuse (25A)</b>

<b>3</b>	<b>Install D/C Cut Fuse (25A) (Original Location)</b>
----------	---

## 2022 Highlander, Highlander HV Pre-Delivery Service (PDS)

---

### Seating Position Control ECU Initialization

Refer to the applicable Repair Manual for the seating position control ECU [initialization procedure](#) (procedure 2).

### Memorize Steering Angle Neutral Point

As a result of the removal of the D/C cut fuse, the power source to the steering angle sensor is cut off. When the D/C cut fuse is reinstalled, the parking assist monitor system/panoramic view monitor system will be operative, but it cannot display guidelines to assist parking operation because the center position recognized by the steering angle sensor may not be in an initial position. Therefore, perform steering angle neutral point initialization AFTER installing the D/C cut fuse during PDS.

Refer to the applicable Repair Manual for the steering angle neutral point [initialization procedure](#).

### Perform Steering Sensor Zero Point Calibration

As a result of the removal of the D/C cut fuse, the steering angle sensor power source is cut off. When the D/C cut fuse is reinstalled, the center position recognized by the steering angle sensor may not be the appropriate position. Therefore, it is necessary to perform steering sensor zero point calibration AFTER installing the D/C cut fuse during PDS.

Refer to the applicable Repair Manual for the steering zero point calibration procedure:

- [Driving Method](#).
- [Techstream Method](#) (procedure 4).

## 2022 Highlander, Highlander HV Pre-Delivery Service (PDS)

### Front License Plate and Mounting Bracket Installation

The front license mounting plate bracket and two self-tapping screws are loaded in the vehicle at the assembly plant. Follow one of the following procedures to install the front license plate mounting bracket and front license plate in states where it is required by law.

#### Installation Procedure (Type A)

- Align holes "A" of the mounting bracket with the dimples on the front bumper.

**NOTE**

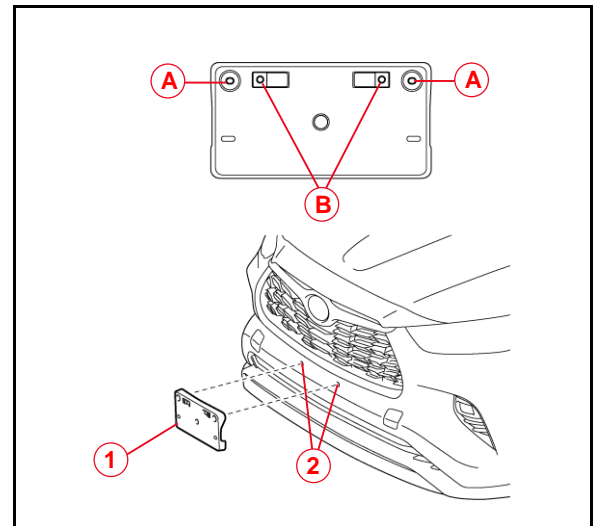
- Holes "A" are used for installation of the mounting bracket to the front bumper.
- Holes "B" are used for the installation of the front license plate to the mounting bracket.

- Install the mounting bracket to the front bumper using two self-tapping screws.

**NOTICE**

**Do NOT overtighten the self-tapping screws.**

**Figure 2.**



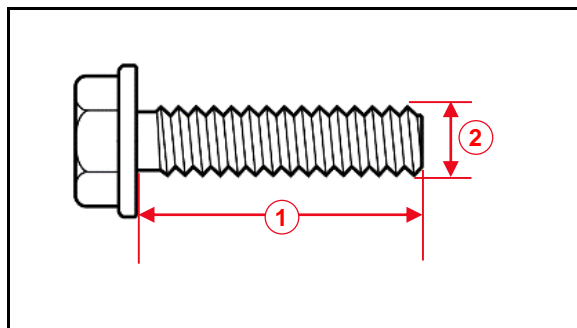
1	Mounting Bracket
2	Dimple

- Install the front license plate to the mounting bracket at holes "B" using two non-corroding bolts with the following dimensions:

**Length: 15.0 mm (0.59 in.)**

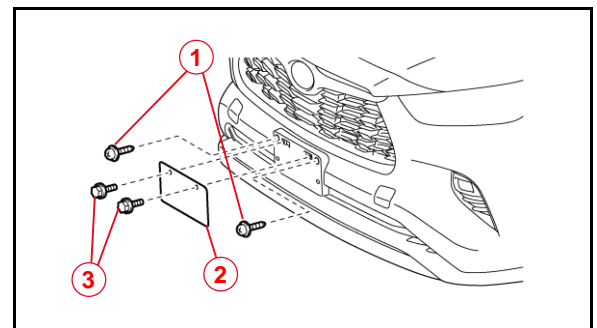
**Diameter: 6.0 mm (0.24 in.)**

**Figure 3.**



1	Length
2	Diameter

**Figure 4.**



1	Self-tapping Screw
2	Front License Plate
3	Bolt

## 2022 Highlander, Highlander HV Pre-Delivery Service (PDS)

### Front License Plate and Mounting Bracket Installation (continued)

#### Installation Procedure (Type B)

- Align holes "A" of the mounting bracket with the dimples on the radiator lower grille.

**NOTE**

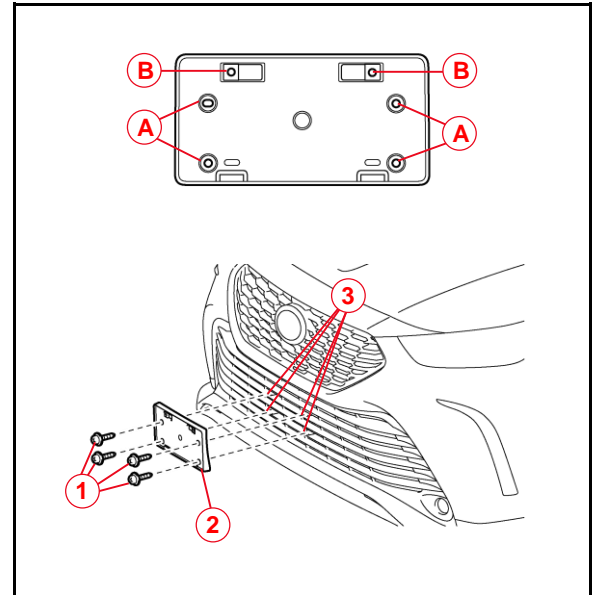
- Holes "A" are used for installation of the mounting bracket to the radiator lower grille.
- Holes "B" are used for the installation of the front license plate to the mounting bracket.

- Install the mounting bracket to the front bumper using four self-tapping screws.

**NOTICE**

**Do NOT** overtighten the self-tapping screws.

**Figure 5.**



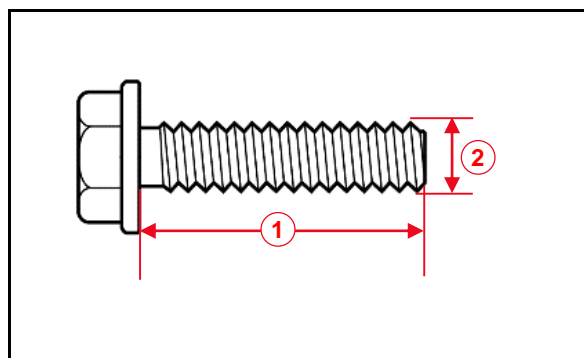
1	Self-tapping Screw
2	Mounting Bracket
3	Dimple

- Install the front license plate to the mounting bracket at holes "B" using two non-corroding bolts with the following dimensions:

**Length: 15.0 mm (0.59 in.)**

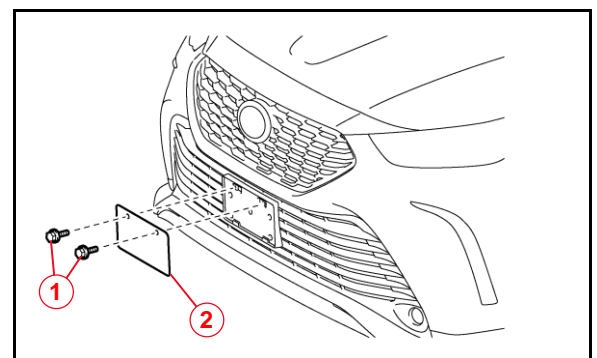
**Diameter: 6.0 mm (0.24 in.)**

**Figure 6.**



1	Length
2	Diameter

**Figure 7.**



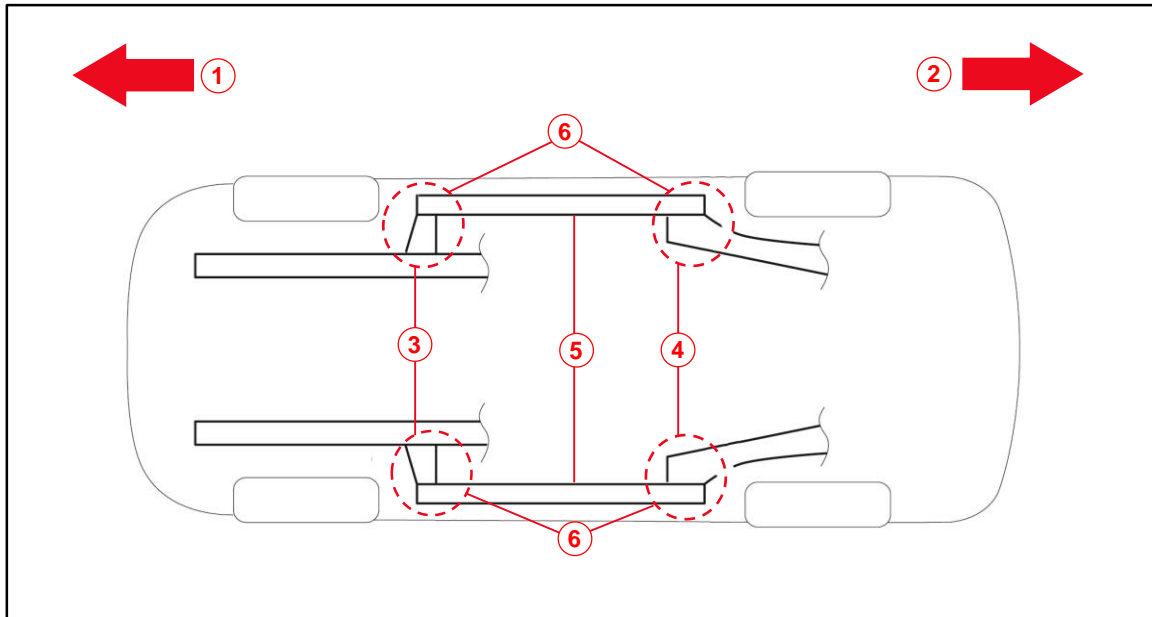
1	Bolt
2	Front License Plate

## 2022 Highlander, Highlander HV Pre-Delivery Service (PDS)

### Installation of Rubber Body Plugs

1. Confirm the number of plugs in the glove box. If two plugs are present, perform substep 2A ONLY. If four plugs are present, perform substep 2A AND substep 2B.
2. Install plugs according the instructions below by confirming the number of plugs in the glove box.
  - A. Install two plugs in the rear side member hole or rocker inner hole as shown.
  - B. Install two plugs in the torque box hole or rocker inner hole as shown.

**Figure 8.**



<b>1</b>	<b>Front Side</b>
<b>2</b>	<b>Rear Side</b>
<b>3</b>	<b>Torque Box Hole or Rocker Inner Hole</b>
<b>4</b>	<b>Rear Side Member Hole or Rocker Inner Hole</b>
<b>5</b>	<b>Rocker Inner</b>
<b>6</b>	<b>Install Plug Here (if Applicable)</b>

**NOTICE**

- The installation of these plugs is required to prevent rust.
- These plugs are stored in the glove box.
- The number of plugs may vary according to production locations in the same vehicle model.

## 2022 Highlander, Highlander HV Pre-Delivery Service (PDS)

---

### Tire Pressure Warning System (TPWS) Initialization

Refer to the applicable Repair Manual for the TPWS [initialization procedure](#).

**NOTE**

To adjust the tire pressure correctly when the outside temperature is significantly colder than shop temperature, perform a Health Check using Techstream and select the compensation tire pressure checkbox. Compensation pressures will display on the Health Check results screen. Adjust the tire pressure when the tires are cold.

### Dealer Contact Information for Call Dealer Head Unit Function

Refer to the *Multimedia System Owner's Manual* to [add dealer contact information](#).

**NOTE**

Highlander and Highlander Hybrid model year vehicles equipped with Audio plus and Premium Audio ONLY.

### Entune™ 3.0 App Suite Connect Initialization/Update

Refer to [T-SB-0039-20](#) *Entune™ 3.0 App Suite Connect* to initialize/update the Entune™ 3.0 App Suite Connect.