

Porsche

Special Tools & Equipment

(9YB) Cayenne Coupe HUD Calibration Board

Technical Support

2126

USA Only

Porsche Special Tools & Equipment will release tool # 9945/2 as an auto-ship starting CW43/21, Monday, October 25, 2021. If you have any questions about this calibration board, please feel free to reach out to Porsche Special Tools & Equipment at askthetoolguy@porsche.us

Model line	Model
	Cayenne Coupe (9YB)



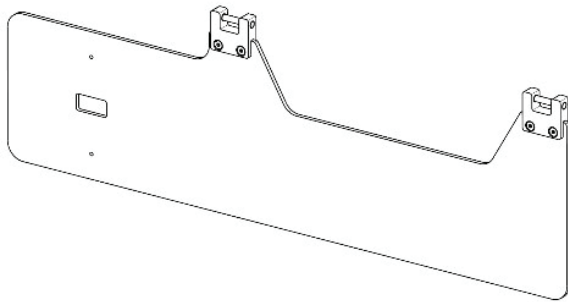
Porsche

Special Tools & Equipment

(9YB) Cayenne Coupe HUD Calibration Board

Technical Support
2126 USA Only

New Products



Calibration Board

9945/2 | ★ | \$294.69

Model lines	Cayenne Coupe (9YB) from MY 2020
Use	Used to calibrate control unit for windscreen projection.
Workshop Manual	WM908619
Order Number	000 721 994 52
Supplier	Porsche Special Tools & Equipment
Availability	Immediately Available

Note

Porsche

Special Tools & Equipment

(9YB) Cayenne Coupe HUD Calibration Board

Technical Support

2126

USA Only

General Information


Ordering process


* For ordering tools identified with a prefix of T, VW, VAS, VAG or a four digit tool number (Ex. 3438) please login to porsche.snapon.com for ordering

* For ordering tools with a prefix of 000 721, PNA or 918 721 please login to POLARIS (PPL) to order tools

Workshop Equipment Classification

- ★ Servicing and maintenance
- ★★ Replacement of units and assemblies
- ★★★ Disassembly of units and assemblies
- ★★★★ Tool hire

 Body & Paint

 High-voltage

All prices are subject to change without notice

Contact person

E-mail: askthetoolguy@porsche.us

All After Sales Circulars can also be found at:

PPN Aftersales Workshop Special Tools & Equipment