



Technical Service Bulletin

| | | | |
|---|---|--|--|
| SUBJECT: | | | No: TSB-21-35A-001 |
| UPDATES TO STRUT ASSEMBLY REMOVAL AND INSTALLATION - SERVICE MANUAL REVISION | | | DATE: October 2021 |
| | | | MODEL: See Below |
| CIRCULATE TO: | <input type="checkbox"/> GENERAL MANAGER | <input checked="" type="checkbox"/> PARTS MANAGER | <input checked="" type="checkbox"/> TECHNICIAN |
| <input checked="" type="checkbox"/> SERVICE ADVISOR | <input checked="" type="checkbox"/> SERVICE MANAGER | <input checked="" type="checkbox"/> WARRANTY PROCESSOR | <input type="checkbox"/> SALES MANAGER |

PURPOSE

This TSB provides updated content for the Front Suspension section of the affected Service Manuals.

AFFECTED VEHICLES

- 2018 Eclipse Cross
- 2019 Eclipse Cross
- 2020 Eclipse Cross
- 2022 Eclipse Cross

AFFECTED SERVICE MANUALS

- 2018, 2019, 2020 and 2022 Eclipse Cross Service Manuals, Group 32-Front Suspension



Please replace the pages in the 2018 Eclipse Cross Service Manual, Group 32-Front Suspension section as follows:

- 2018 Eclipse Cross Service Manual, Group 32 - Front Suspension -> Strut Assembly Removal and Installation - Attached sheet 3

Please replace the pages in the 2019 Eclipse Cross Service Manual, Group 32-Front Suspension section as follows:

- 2019 Eclipse Cross Service Manual, Group 32 - Front Suspension -> Strut Assembly Removal and Installation - Attached sheet 3

Please replace the pages in the 2020 Eclipse Cross Service Manual, Group 32-Front Suspension section as follows:

- 2020 Eclipse Cross Service Manual, Group 32 - Front Suspension -> Strut Assembly Removal and Installation - Attached sheet 3

Please replace the pages in the 2022 Eclipse Cross Service Manual, Group 32-Front Suspension section as follows:

- 2022 Eclipse Cross Service Manual, Group 32 - Front Suspension -> Strut Assembly Removal and Installation - Attached sheet 3

FRONT SUSPENSION
STRUT ASSEMBLY

33-9

STRUT ASSEMBLY

REMOVAL AND INSTALLATION

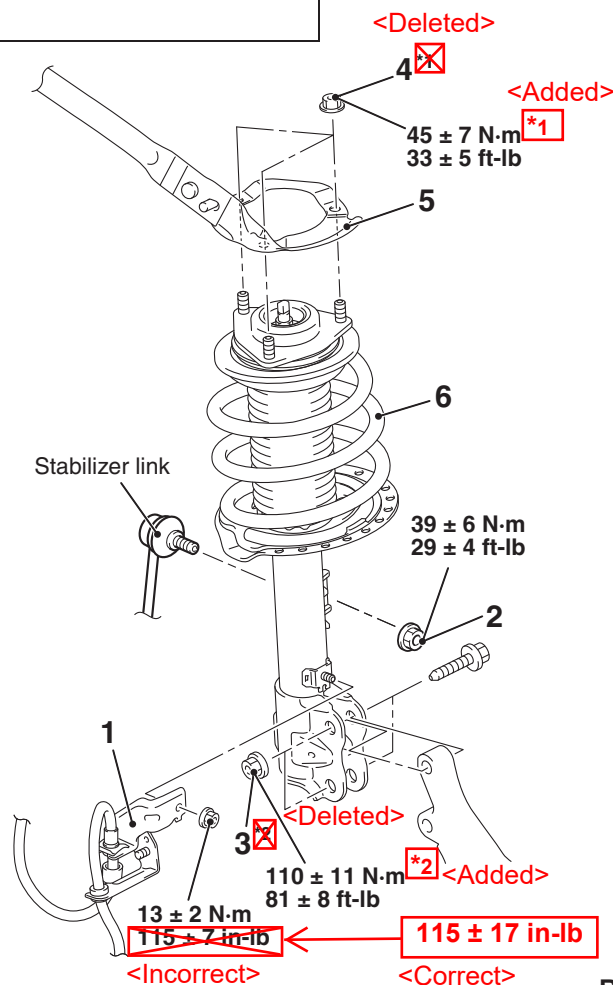
M1332001102064

CAUTION

- The parts indicated by *1 indicates parts which should be temporarily tightened, and then fully tightened with the vehicle standing on the ground at curb weight.
- The parts indicated by *2 are the nuts with friction coefficient stabilizer. Prior to reinstallation, ensure there is no damage, clean dust and soiling from the bearing and thread surfaces, and tighten them to the specified torque.

Post-installation Operation

- Front Wheel Alignment Check and Adjustment (Refer to P.33-7).



ACH05318AB

- <<A>> >>A<<
- Removal steps**
1. Brake hose bracket
 2. Stabilizer link and strut connection nut
 3. Knuckle and strut connection

- Removal steps (Continued)**
4. Strut mounting nut
 5. Front suspension strut stiffener plate
 6. Strut assembly