



# Technical Service Bulletin

SUBJECT:		No: <b>TSB-21-42A-009</b>	
<b>UPDATES TO DOOR HANDLE - SERVICE MANUAL REVISION</b>		DATE: <b>October 2021</b>	
		MODEL: <b>See Below</b>	
<b>CIRCULATE TO:</b>	<input type="checkbox"/> GENERAL MANAGER	<input checked="" type="checkbox"/> PARTS MANAGER	<input checked="" type="checkbox"/> TECHNICIAN
<input checked="" type="checkbox"/> SERVICE ADVISOR	<input checked="" type="checkbox"/> SERVICE MANAGER	<input checked="" type="checkbox"/> WARRANTY PROCESSOR	<input type="checkbox"/> SALES MANAGER

## PURPOSE

This TSB provides updated content for the Body section of the affected Service Manual, Door, Door Handle and Latch Removal and Installation.

## AFFECTED VEHICLES

- 2018, 2019, and 2020 Eclipse Cross

## AFFECTED SERVICE MANUAL

- 2018, 2019, and 2020 Eclipse Cross Service Manuals, Group 42A-Body -> Door



Please replace the pages in the applicable Eclipse Cross Service Manual, Group 42A-Body -> Door section as follows:

- 2018 Eclipse Cross Service Manual, Group 42A-Body -> Door -> Door Handle and Latch Removal and Installation - Attached sheet 5 (2 pages)
- 2019 Eclipse Cross Service Manual, Group 42A-Body -> Door -> Door Handle and Latch Removal and Installation Attached sheet 5 (2 pages)
- 2020 Eclipse Cross Service Manual, Group 42A-Body -> Door -> Door Handle and Latch Removal and Installation - Attached sheet 8 (2 pages)

**BODY  
DOOR**

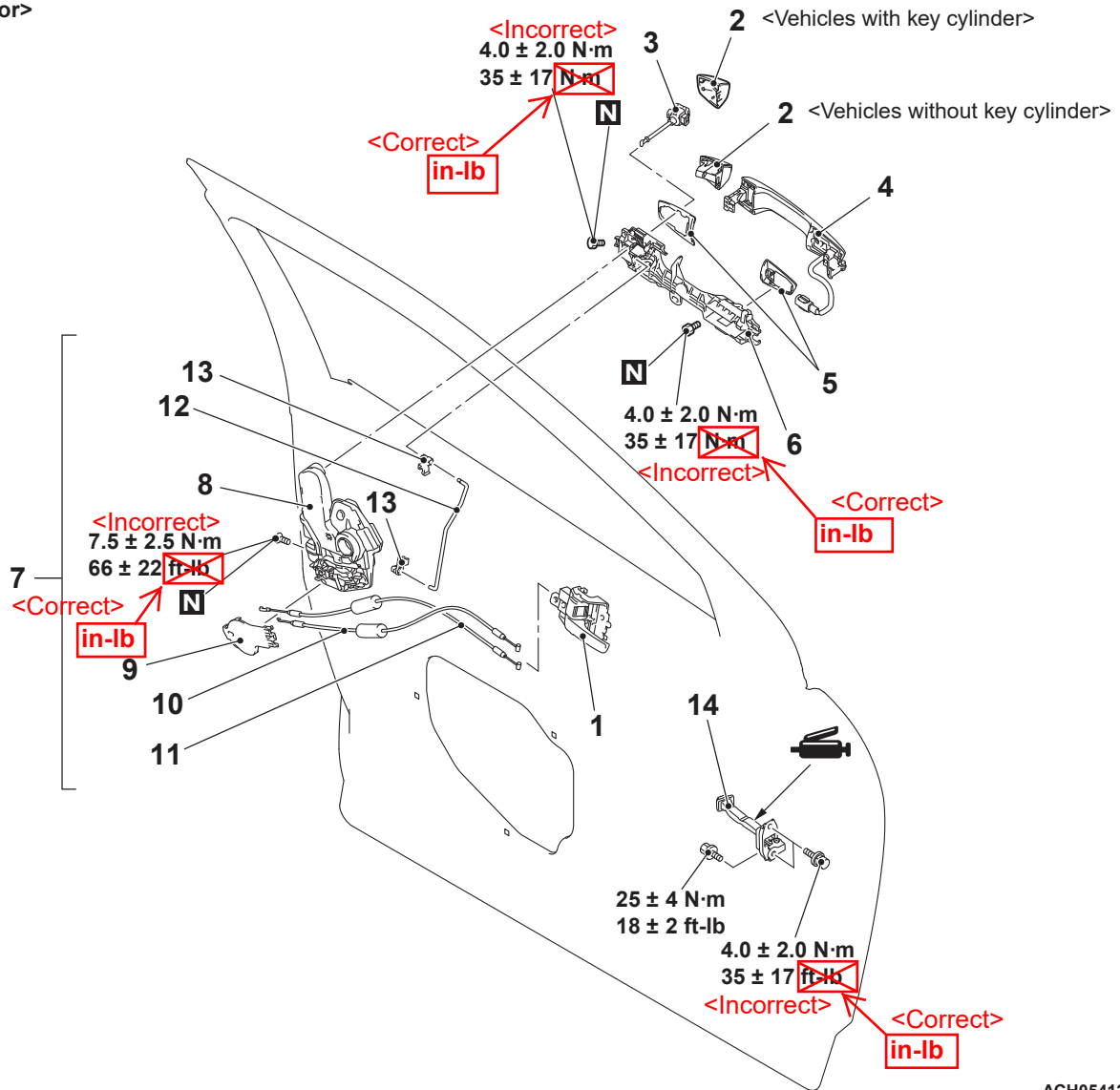
**42A-79**

**DOOR HANDLE AND LATCH  
REMOVAL AND INSTALLATION**

M1423004602357

Pre-removal operation	Post-installation operation
<ul style="list-style-type: none"> <li>Door Trim Assembly Removal (Refer to GROUP 52A, Door Trim P.52A-37).</li> <li>Door Waterproof Film, Door Speaker Bracket, Door Working Hole Cover Front, Door Working Hole Cover Rear Removal (Refer to P.42A-83).</li> </ul>	<ul style="list-style-type: none"> <li>Door Inside Handle Play Check (Refer to P.42A-70).</li> <li>Door Outside Handle play Check (Refer to P.42A-69).</li> <li>Door Waterproof Film, Door speaker bracket, Door Working Hole Cover Front, Door Working Hole Cover Rear Installation (Refer to P.42A-83).</li> <li>Door Trim Assembly Installation (Refer to GROUP 52A, Door Trim P.52A-37).</li> </ul>

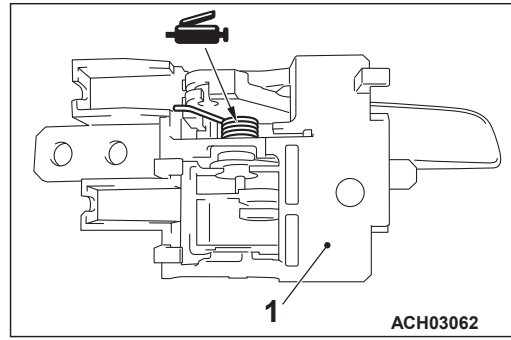
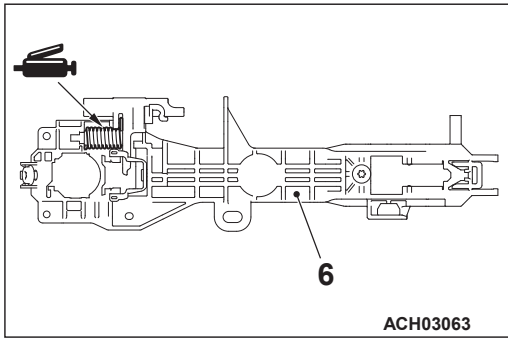
<Front door>



ACH05412AB

# 42A-80

## BODY DOOR



ACH03616AD

### Door inside handle removal

1. Door inside handle
- ### Door latch assembly removal steps
2. Door outside handle cover
  3. Door lock key cylinder (driver's side) <Vehicles with door lock key cylinder>
  4. Door outside handle
  5. Door outside handle gasket
  6. Door outside handle base

<<A>>  
<<A>>

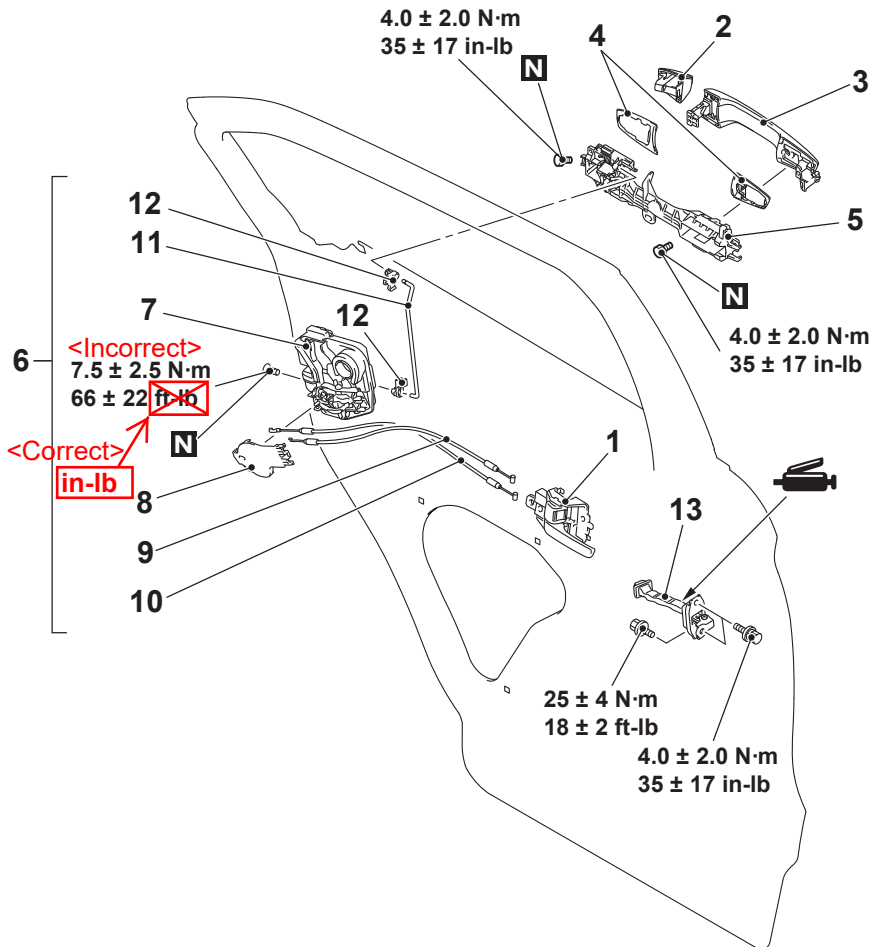
>>B<<  
>>B<<

>>A<<

### Door latch assembly removal steps (Continued)

7. Door latch and cable assembly
  18. Door latch assembly
  9. Door lock cover
  10. Door inside lock cable
  11. Door inside handle cable
  12. Door outside handle rod
  13. Clip
- ### Door check removal steps
14. Door check

<Rear door>



ACH05220AB

**BODY  
DOOR**

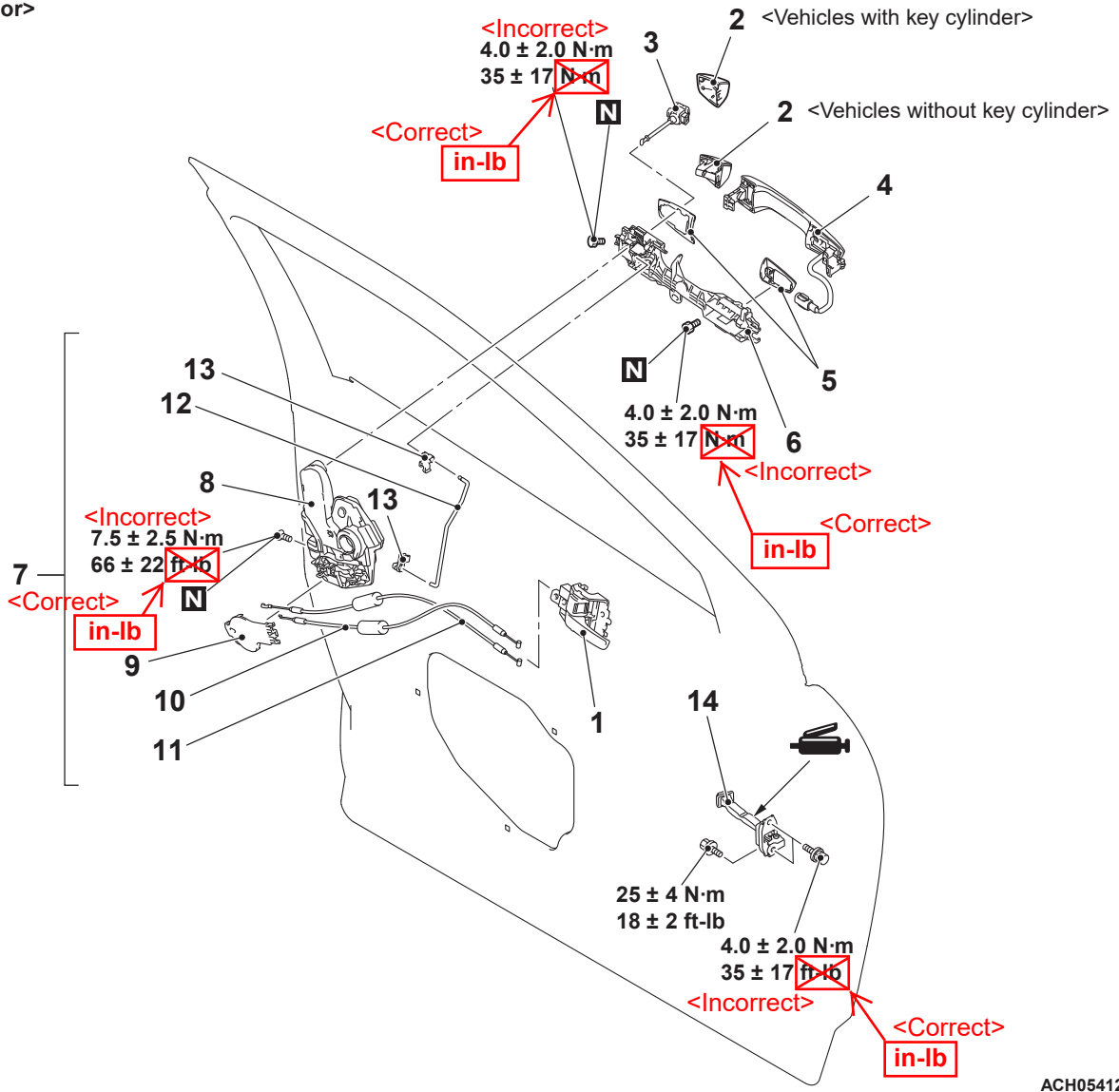
**42A-81**

**DOOR HANDLE AND LATCH  
REMOVAL AND INSTALLATION**

M1423004602357

Pre-removal operation	Post-installation operation
<ul style="list-style-type: none"> <li>Door Trim Assembly Removal (Refer to GROUP 52A, Door Trim P.52A-40).</li> <li>Door Waterproof Film, Door Speaker Bracket, Door Working Hole Cover Front, Door Working Hole Cover Rear Removal (Refer to P.42A-85).</li> </ul>	<ul style="list-style-type: none"> <li>Door Inside Handle Play Check (Refer to P.42A-71).</li> <li>Door Outside Handle play Check (Refer to P.42A-70).</li> <li>Door Waterproof Film, Door speaker bracket, Door Working Hole Cover Front, Door Working Hole Cover Rear Installation (Refer to P.42A-85).</li> <li>Door Trim Assembly Installation (Refer to GROUP 52A, Door Trim P.52A-40).</li> </ul>

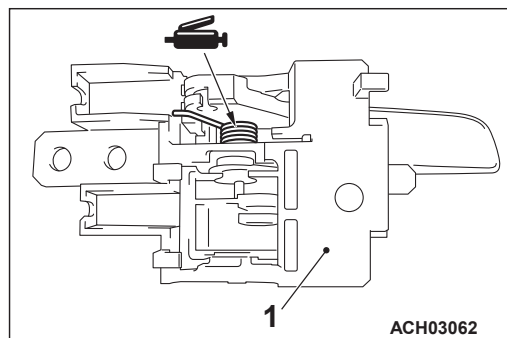
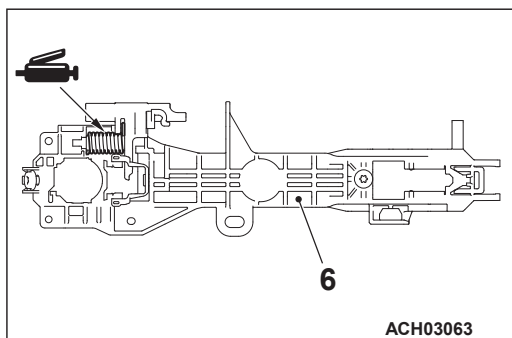
<Front door>



ACH05412AB

# 42A-82

## BODY DOOR



ACH03616AD

### Door inside handle removal

1. Door inside handle
- ### Door latch assembly removal steps
2. Door outside handle cover
  3. Door lock key cylinder (driver's side) <Vehicles with door lock key cylinder>
  4. Door outside handle
  5. Door outside handle gasket
  6. Door outside handle base

<<A>>  
<<A>>

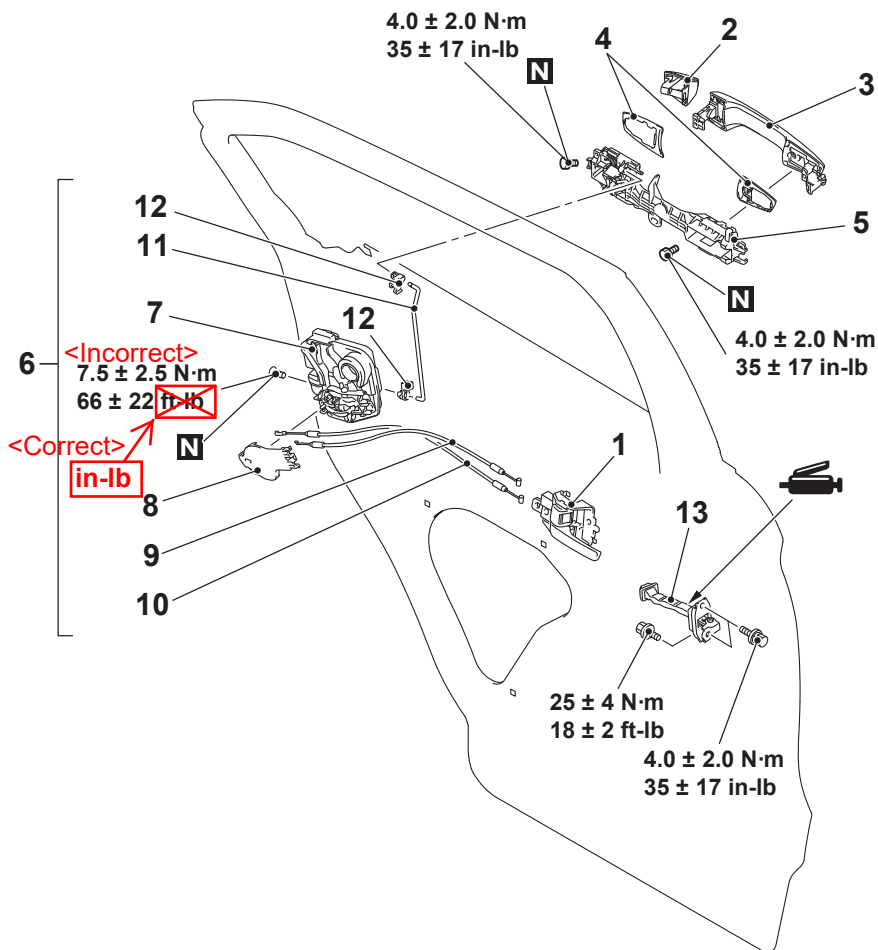
>>B<<  
>>B<<

>>A<<

### Door latch assembly removal steps (Continued)

7. Door latch and cable assembly
  18. Door latch assembly
  9. Door lock cover
  10. Door inside lock cable
  11. Door inside handle cable
  12. Door outside handle rod
  13. Clip
- ### Door check removal steps
14. Door check

<Rear door>



ACH05220AB