

Front Roof Console Needs to be Replaced – Observe Specified Procedure (101/21)

Model Line: **Panamera (971)**

Model Year: **As of 2017**

Concerns: **Front roof console needs to be replaced**

Information: Modified roof consoles that are secured to the roof lining with an additional threaded connection are installed in Panamera vehicles from model year M (2021).

The old-type roof console can still be installed in vehicles from model year 2021 by following the instructions provided below.

Likewise, the modified roof consoles can be installed in model year 2017 to 2020 vehicles by following the instructions provided below.

Action required: If the roof console needs to be replaced, choose the relevant procedure depending on the vehicle:

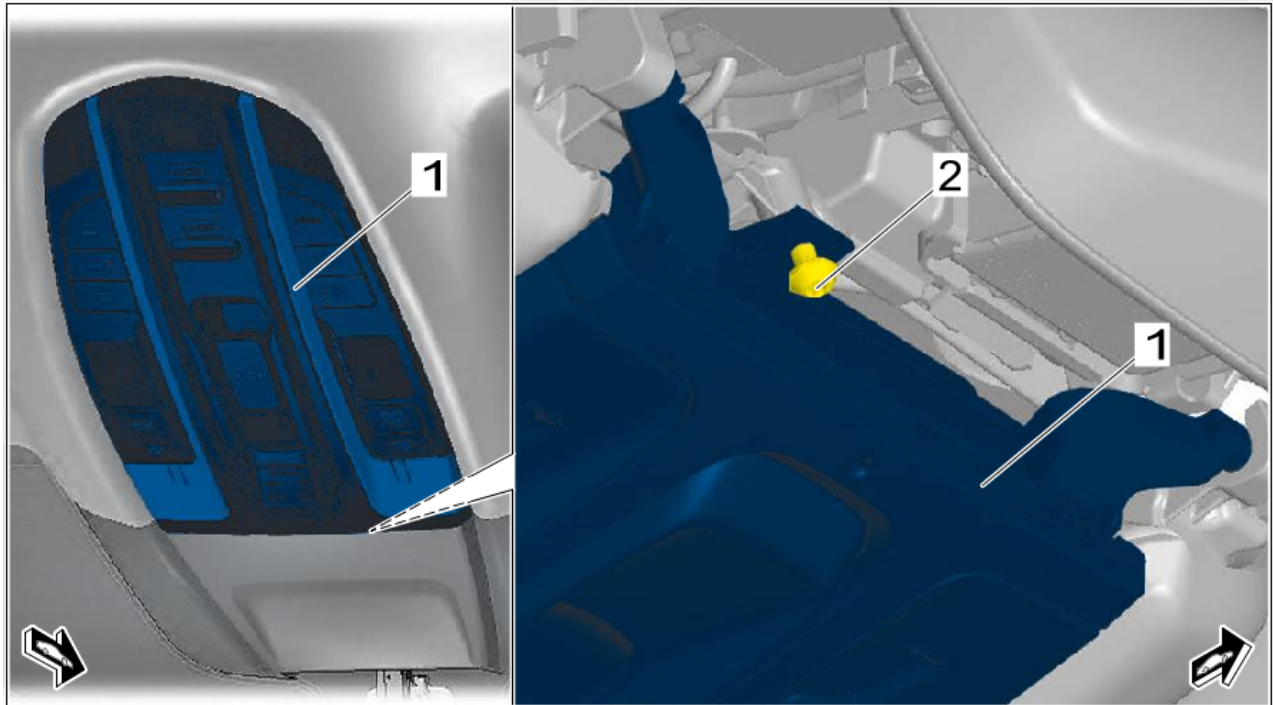
- The vehicle has a **new roof lining** with an additional threaded connection and you want to install an **old-type roof console** with no additional threaded connection: ⇒ *Technical Information 'Subsequent work on roof console (Old-type roof console in vehicles from model year 2021)'*
- The vehicle has an **old-type roof lining** with no additional threaded connection and you want to install a **new roof console** with an additional threaded connection: ⇒ *Technical Information 'Replacing roof console (New roof console in model year 2017 to 2020 vehicles)'*
- The vehicle has a **new roof lining** with an additional threaded connection and you want to install a **new roof console** with an additional threaded connection: ⇒ *Workshop Manual '70831910 Removing and installing front roof console (emergency call button)'*
- The vehicle has an **old-type roof lining** with no additional threaded connection and you want to install an **old-type roof console** with an additional threaded connection: ⇒ *Workshop Manual '708319 Removing and installing front roof console'*

Component information



Information

The new roof console can be identified by a lug at the front. On vehicles from model year 2021, the roof console is screwed to the roof lining using this lug as well as the retaining clips.



New roof console

- 1 – **New** roof console
- 2 – **New** threaded connection on roof console

Subsequent work on roof console (Old-type roof console in vehicles with new roof lining)

Parts Info:



Information

The roof console is available individually depending on vehicle equipment and must be selected using the Porsche Spare Parts Catalogue (PET).

| Part No. | Designation | Qty. |
|-------------|---|---|
| 00004320744 | ⇒ Felt strip – 30 mm x 5 meter/ 1.18 in x 16.4 ft | 0.02 ea. (= approx. 100 mm/ 3.94 in) |

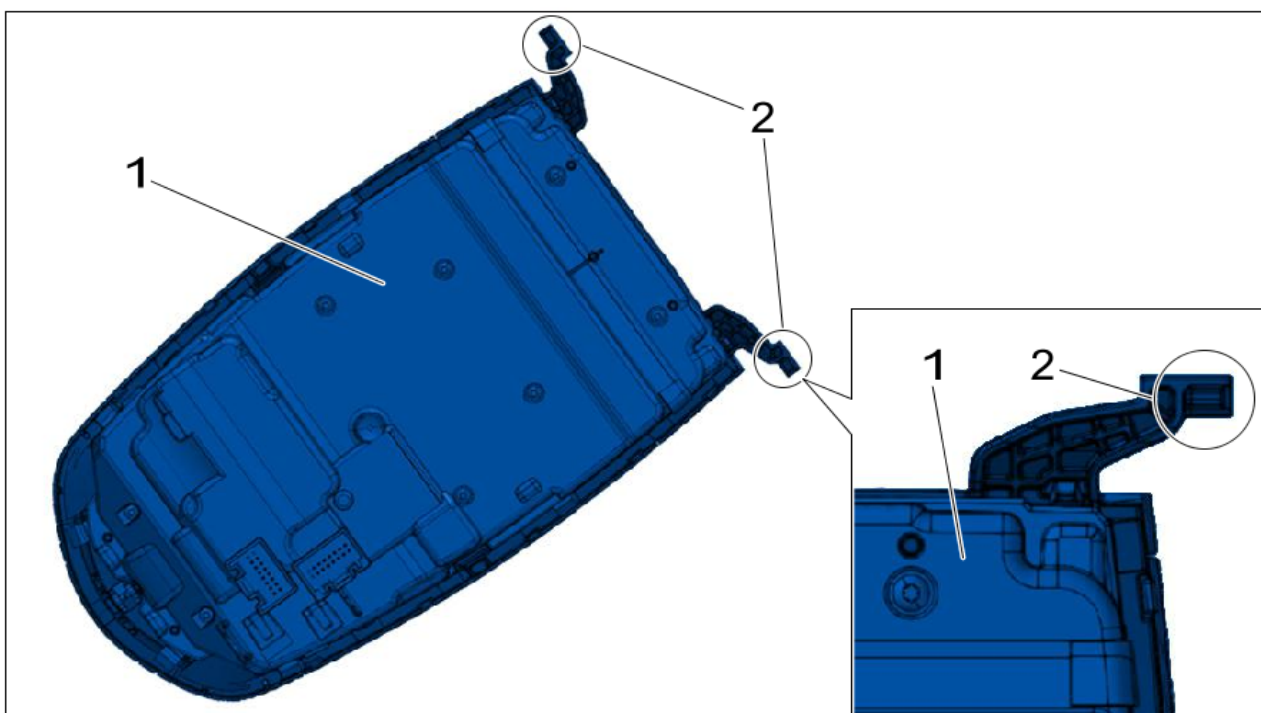
Work
Procedure:



Information

On old-type roof consoles (without the additional lug), the engagement pins have a smaller diameter than those used on the technically modified roof consoles. To ensure that the old-type roof console is installed without play in a new roof lining, the engagement pins of the roof console require subsequent work.

- 1 Remove roof console.
⇒ *Workshop Manual '708319 Removing and installing front roof console'*
- 2 Prepare **new** old-type roof console (without the additional lug) ⇒ *Roof console engagement pins -1-* for installation.



Roof console engagement pins

- 2.1 Cut each of the felt strips to **45 mm/ 1.77 in long and 7.5 mm/ 0.3 in wide**.
- 2.2 Wrap the felt strips you have cut **twice** around the engagement pins ⇒ *Roof console engagement pins -2-* of the **new** roof console ⇒ *Roof console engagement pins -1-*.
- 3 Install **new** roof console.
⇒ *Workshop Manual '708319 Removing and installing front roof console'*

Invoicing:

For documentation and warranty invoicing, enter the labor operation, PQIS coding and part number specified below in the warranty claim:

| APOS | Labor operation | I No. |
|----------|--|-------|
| 70831940 | Removing and installing front roof console | |

PQIS coding:

| | | |
|-------------------|-------|--------------------|
| Location (FES5) | 70830 | Front roof console |
| Damage type (SA4) | 9744 | Part not available |

| Part No.: | Part No. | Designation | Qty. |
|-----------|-------------|-------------|----------|
| | 00004320744 | Felt strip | 0.02 ea. |

References: ⇒ *Workshop Manual '708319 Removing and installing front roof console'*
 ⇒ *Workshop Manual '70831910 Removing and installing front roof console (emergency call button)'*

Replacing roof console (New roof console in vehicles with old roof lining)

Work Procedure:



Information

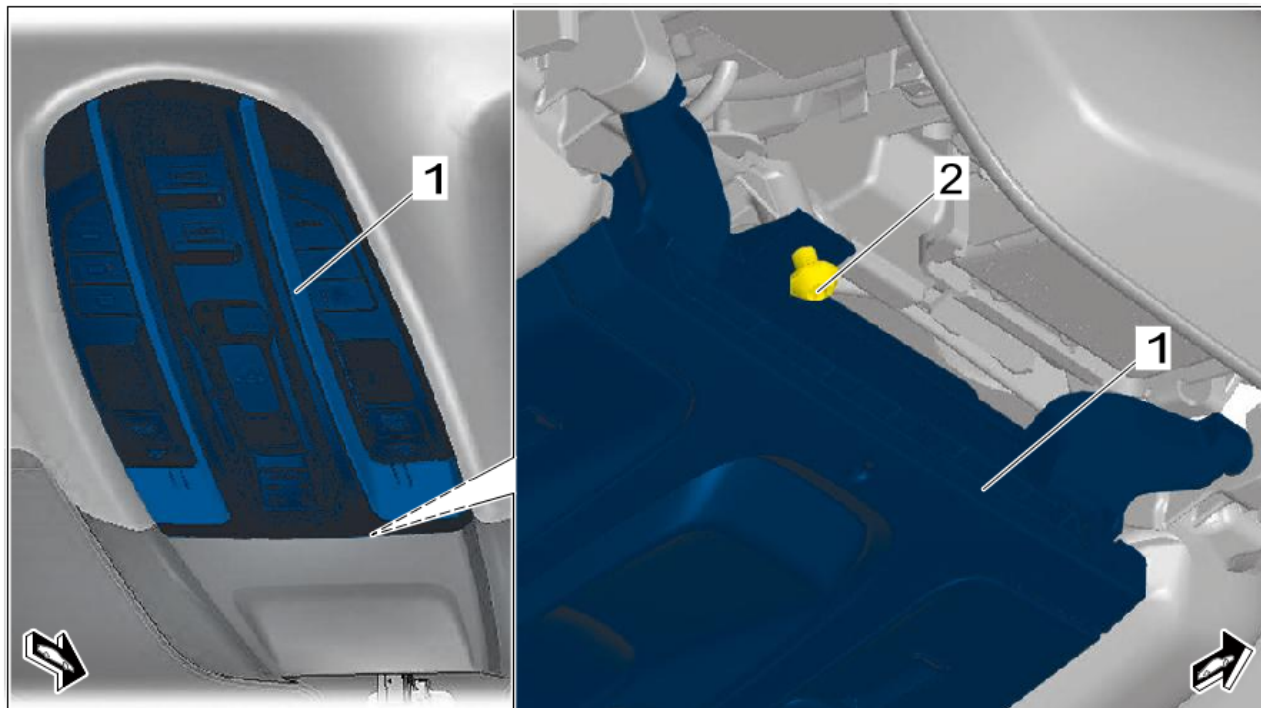
A technically modified roof console (with lug) may only be retrofitted in a model year 2017 to 2020 vehicle if there is **no** SOS button installed in the roof console.

- 1 Remove old roof console.
 ⇒ *Workshop Manual '708319 Removing and installing front roof console'*



Information

An additional threaded connection to the roof lining was used on the new roof console. If you are installing a **new** roof console in a model year 2017 to 2020 vehicle, the threaded connection can be ignored and the roof console can be installed in accordance with instructions in the Workshop Manual.



New roof console

- 1 – **New** roof console
- 2 – **New** threaded connection on roof console

- 2 Install **new** roof console.
⇒ *Workshop Manual '708319 Removing and installing front roof console'*

Invoicing: For documentation and warranty invoicing, enter the labor operation and PQIS coding specified below in the warranty claim:

| APOS | Labor operation | I No. |
|----------|--|-------|
| 70831900 | Removing and installing front roof console | |

PQIS coding:

| | | |
|-------------------|-------|--------------------|
| Location (FES5) | 70830 | Front roof console |
| Damage type (SA4) | 9744 | Part not available |

References: ⇒ *Workshop Manual '708319 Removing and installing front roof console'*
 ⇒ *Workshop Manual '70831910 Removing and installing front roof console (emergency call button)'*

Important Notice: Technical Bulletins issued by Porsche Cars North America, Inc. are intended only for use by professional automotive technicians who have attended Porsche service training courses. They are written to inform those technicians of conditions that may occur on some Porsche vehicles, or to provide information that could assist in the proper servicing of a vehicle. Porsche special tools may be necessary in order to perform certain operations identified in these bulletins. Use of tools and procedures other than those Porsche recommends in these bulletins may be detrimental to the safe operation of your vehicle, and may endanger the people working on it. Properly trained Porsche technicians have the equipment, tools, safety instructions, and know-how to do the job properly and safely. Part numbers listed in these bulletins are for reference only. The work procedures updated electronically in the Porsche PIWIS diagnostic and testing device take precedence and, in the event of a discrepancy, the work procedures in the PIWIS Tester are the ones that must be followed.

© 2021 Porsche Cars North America, Inc.