

**SIB 31 01 02**

2021-09-02

SERVICE ACTION: Replacement of bolt in the fork stabilizer - 31 001 02 (043)

This Service Information Bulletin replaces SI 31 001 02 (043) **dated November 2002**.

The contents of this bulletin have not changed; bulletin numbering was updated.

MODEL

This document applies to the following Motorrad AG models: 0186,0183

This document applies to the following Motorrad model descriptions: F 650 GS US Dakar, F 650 GS US DAKAR M!

This document applies to the following Motorrad series: R13

SITUATION

This document is applies to the following categories: Front Axle

Supporting Materials

[picture_as_pdf 3100102 SA Front fork bolt.pdf](#)

Service Bulletin

Date: November 2002

Bulletin No: 31 001 02 (043)

BMW Motorcycles

Subject: Technical Action: Replacement of bolt in the fork stabilizer - F 650 Dakar models only.

Details: We have been notified by Showa, the manufacturer of the front forks for the F 650 Dakar model, that one of the four mounting bolts, attaching the fork stabilizer to the fork legs is incorrect.

The shank on the incorrect bolt is too long and may not hold properly, even though it was installed to the correct torque.

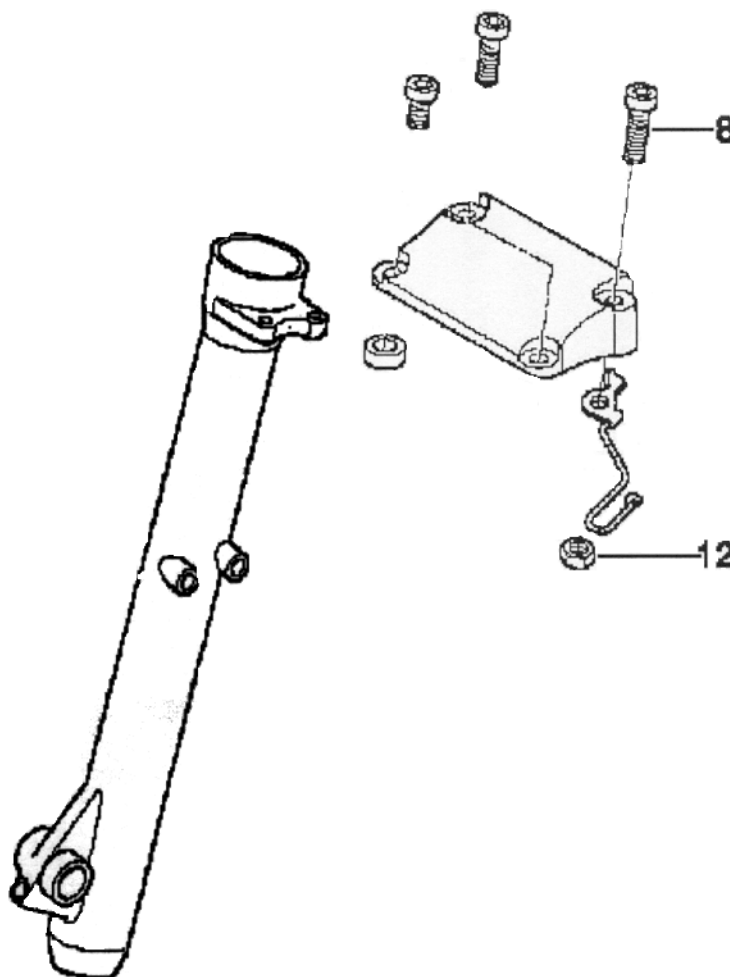
It is possible that the brake hose holder that is held in place by this bolt may work loose over time.

Production Solution: Installation of a shorter mounting bolt. The nut of the brake hose holder is now secured with Loctite.

Service Solution: Remove the mounting bolt (#8 in the illustration below) replacing it with the M8x40 bolt included with this bulletin. Tighten this bolt to 20 Nm.

Install the brake hose holder and securing nut (#12 in the illustration below). Use Loctite 2701 and a tightening torque of 8.5 Nm for this installation.

Operating Manager
Sales Department
Accessory Department
Parts Department
Service Department



Affected Vehicles: The F 650 Dakar VIN range affected by this action is:

ZF 71369 - ZF 71401

Warranty Reimbursement: Enter a campaign claim choosing Work Package #1.

Work Package #1
Replace incorrect fork stabilizer bolt.

Defect Code: 00 00 31 24 00

Description: F 650 Dakar Incorrect stabilizer bolt

Flat Rate Number: 00 60 089

Description: Exchange front fork stabilizer bolt

FRUs: 3

Important Note: It is very important that each retailer get into the habit of checking the vehicle history of each new motorcycle before delivery to the retail customer. This check should be done during the PDI process and is to determine if there are any Service Actions that are open and need to be addressed. All open Service Actions are to be completed on each new motorcycle prior to delivery to the retail customer.

If an F 650 Dakar, affect by this action, is still in your inventory, make sure that this action is complete prior to delivery to the retailer customer.

If an F 650 Dakar affected by this action has already been delivered to a retail customer, please contact this customer to arrange an appointment for this action to be completed.



Robert Goodheart
Manager Aftersales
BMW Motorcycles



Pat Raymond
Service and Technical Manager
(201) 307 4261
pat.raymond@bmwna.com