

**FORD:**

2012-2015 Focus

This article supersedes TSB **15-0034** to add a production fix date, update the vehicle model years and Parts List.

**ISSUE**

Some 2012-2015 Focus vehicles may exhibit inaccurate fuel gauge indication and/or inaccurate distance to empty. The vehicle may also exhibit an illuminated malfunction indicator lamp (MIL) with diagnostic trouble codes (DTCs) P0420, P1450, P0443, P0452, P0456, P0460 and/or P2196.

**ACTION**

Follow the Service Procedure steps to correct the condition.

**SERVICE PROCEDURE**

1. Does the customer report inaccurate fuel gauge indication and/or inaccurate distance to empty or does the vehicle exhibit one or more of the following DTCs: P0420, P1450, P0443, P0452, P0456, P0460 and/or P2196?
  - a. Yes - proceed to Step 2.
  - b. No - this article does not apply. Refer to Powertrain Control / Emissions Diagnosis Manual or Workshop Manual (WSM) for normal diagnosis.
2. Replace the evaporative emission canister purge valve. Refer to WSM, Section 303-13.
3. Inspect the evaporative emission canister for liquid fuel contamination.
4. Is liquid fuel present?
  - a. No - proceed to Step 5.
  - b. Yes - replace the evaporative emission canister. Use low pressure compressed air to clear fuel from vapor lines from tank to engine. Refer to WSM, Section 303-13.
5. Is the bottom of the fuel tank deformed more than 25 mm (1 in) upward? (Figures 1 and 2)

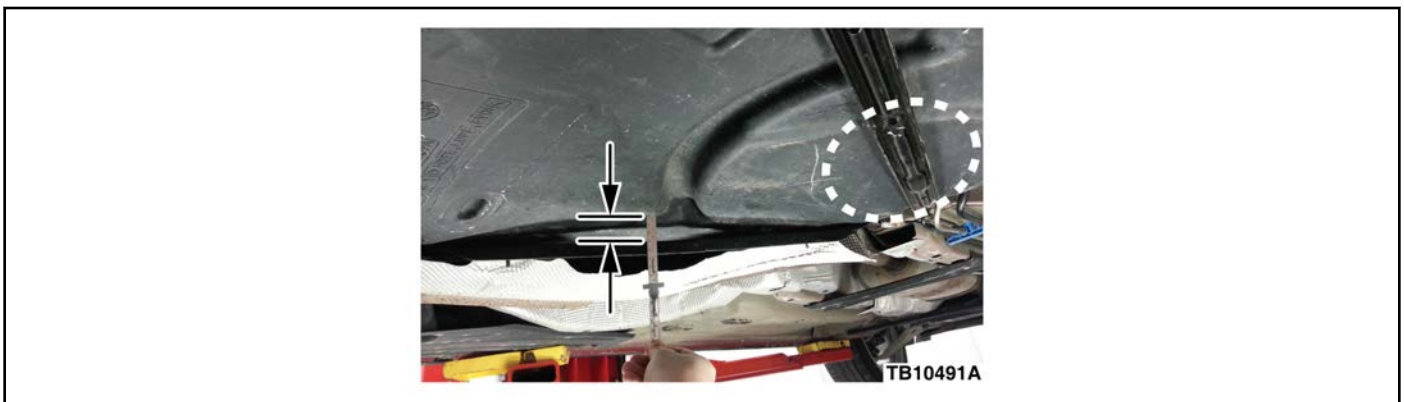


Figure 1 - Article 16-0062

NOTE: The information contained in Technical Service Bulletins is intended for use by trained, professional technicians with the knowledge, tools, and equipment to do the job properly and safely. It informs these technicians of conditions that may occur on some vehicles, or provides information that could assist in proper vehicle service. The procedures should not be performed by "do-it-yourselfers". Do not assume that a condition described affects your car or truck. Contact a Ford, Lincoln, or Mercury dealership to determine whether the bulletin applies to your vehicle. Warranty Policy and Extended Service Plan documentation determine Warranty and/or Extended Service Plan coverage unless stated otherwise in the TSB article. The information in this Technical Service Bulletin (TSB) was current at the time of printing. Ford Motor Company reserves the right to supersede this information with updates. The most recent information is available through Ford Motor Company's on-line technical resources.

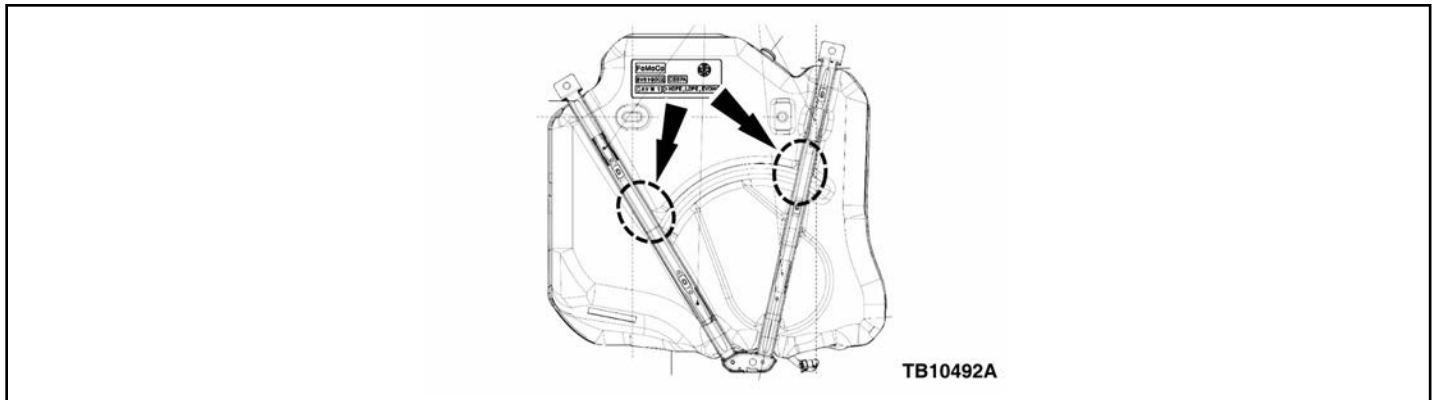


Figure 2 - Article 16-0062

- a. No - repair is complete.
- b. Yes - replace the fuel tank and fuel pump module. Refer to WSM, Section 310- 01.

PART NUMBER	PART NAME
BV6Z-9D289-B	Evaporative Emissions Purge Valve - 2.0L GDI
F1FZ-9D289-B	Evaporative Emissions Purge Valve - 1.0L GTDI
BV6Z-9D289-E	Evaporative Emissions Purge Valve - 2.0L GTDI - ST
AS4Z-9D653-F	Evaporative Emissions Canister - 49 State/Non Green State Emissions
BV6Z-9D653-D	Evaporative Emissions Canister - PZEV 50 State
BV6Z-9H307-T	Fuel Pump Module - 2.0L GDI Flex Fuel (E85)
BV6Z-9H307-U	Fuel Pump Module - 2.0L GDI Non Flex Fuel/1.0L GTDI
BV6Z-9H307-V	Fuel Pump Module - 2.0L GTDI - ST
4L3Z-9276-AA	Gasket - Fuel Pump Module
W520101-S439	Nut - Fuel Pump Module Cover (3 Req)
BV6Z-9002-E	Fuel Tank - All

OPERATION	DESCRIPTION	TIME
160062A	2012-2015 Focus 4 Door: Check DTCs, Replace The Evaporative Emissions Canister Purge Valve, Includes Time To Inspect Canister For Fuel And Fuel Tank For Signs Of Being Deformed. (Do Not Use With Any Other Labor Operation)	0.9 Hr.
160062B	2012-2015 Focus 4 Door: Check DTCs, Replace The Evaporative Emissions Canister Purge Valve And The Evaporative Emissions Canister, Includes Time To Inspect Canister For Fuel And Fuel Tank For Signs Of Being Deformed. (Do Not Use With Any Other Labor Operation)	1.1 Hrs.
160062C	2012-2015 Focus 4 Door: Check DTCs, Replace The Evaporative Emissions Canister Purge Valve And The Fuel Tank, Includes Time To Inspect Canister For Fuel And Fuel Tank For Signs Of Being Deformed. (Do Not Use With Any Other Labor Operation)	2.3 Hrs.

**TSB 16-0062 (Continued)**

<b>OPERATION</b>	<b>DESCRIPTION</b>	<b>TIME</b>
160062D	2012-2015 Focus 4 Door: Check DTCs, Replace The Evaporative Emissions Canister Purge Valve, Evaporative Emissions Canister And The Fuel Tank, Includes Time To Inspect Canister For Fuel And Fuel Tank For Signs Of Being Deformed. (Do Not Use With Any Other Labor Operation)	2.6 Hrs.
160062E	2012-2015 Focus 5 Door: Check DTCs, Replace The Evaporative Emissions Canister Purge Valve, Includes Time To Inspect Canister For Fuel And Fuel Tank For Signs Of Being Deformed. (Do Not Use With Any Other Labor Operation)	0.9 Hr.
160062F	2012-2015 Focus 5 Door: Check DTCs, Replace The Evaporative Emissions Canister Purge Valve And The Evaporative Emissions Canister, Includes Time To Inspect Canister For Fuel And Fuel Tank For Signs Of Being Deformed. (Do Not Use With Any Other Labor Operation)	1.6 Hrs.
160062G	2012-2015 Focus 5 Door: Check DTCs, Replace The Evaporative Emissions Canister Purge Valve And The Fuel Tank, Includes Time To Inspect Canister For Fuel And Fuel Tank For Signs Of Being Deformed. (Do Not Use With Any Other Labor Operation)	2.4 Hrs.
160062H	2012-2015 Focus 5 Door: Check DTCs, Replace The Evaporative Emissions Canister Purge Valve, Evaporative Emissions Canister And The Fuel Tank, Includes Time To Inspect Canister For Fuel And Fuel Tank For Signs Of Being Deformed. (Do Not Use With Any Other Labor Operation)	2.9 Hrs.

**WARRANTY STATUS:**

Eligible Under Provisions Of New Vehicle Limited Warranty Coverage And Emissions Warranty Coverage  
Warranty/ESP coverage limits/policies/prior approvals are not altered by a TSB. Warranty/ESP coverage limits are determined by the identified causal part and verified using the OASIS part coverage tool.

**DEALER CODING**

<b>BASIC PART NO.</b>	<b>CONDITION CODE</b>
9D289	42