

E282: How to Tell the Difference Between PACCAR MX-11 or MX-13 2021A and 2021B Engines

 [Edit](#)  [Clone](#)

Number

E282

Description

E282: How to Tell the Difference Between PACCAR MX-11 or MX-13 2021A and 2021B Engines

Section

Engine

Subject

How to Tell the Difference Between PACCAR MX-11 or MX-13 2021A and 2021B Engines

Date

12/17/2021

Condition

Due to differences between the PACCAR MX-11 or MX-13 2021A and 2021B engines, technicians must be able to identify which of these engines are in a chassis.

Chassis Affected

2021 model year chassis equipped with PACCAR MX-11 or MX-13 engines.

- 2021A: January 2021 through May 2021
- 2021B: May 2021 and newer

Action

Information Only

Use this information to determine if a given chassis is equipped with a 2021A or 2021B PACCAR MX-11 or MX-13 engine.

Procedure

How to tell the difference between MX-13 or MX-11 "2021A" and "2021B" engines without access to the chassis

- Look the chassis up in SIR. In the Engine section, Engine Family field, "2021A" engines begin with "L" and "2021B" engines begin with "M".

Engine make	Engine model	Engine EPA	Engine serial	Engine family	Engine model year	Engine build date
PACCAR	MX-13	2021	Y262673	MPORH12.9M21	2021	---

2021B Engine

Engine make	Engine model	Engine EPA	Engine serial	Engine family	Engine model year	Engine build date
PACCAR	MX-13	2021	Y249285	LPORH12.9M02	2020	---

2021A Engine

Look the chassis up in RMI and search for the fuel filter. If RMI shows the dual engine mounted fuel filters, then the engine is an MX-13 or MX-11 "2021B".

- Figure 1 MX 2021B Fuel Filter Module

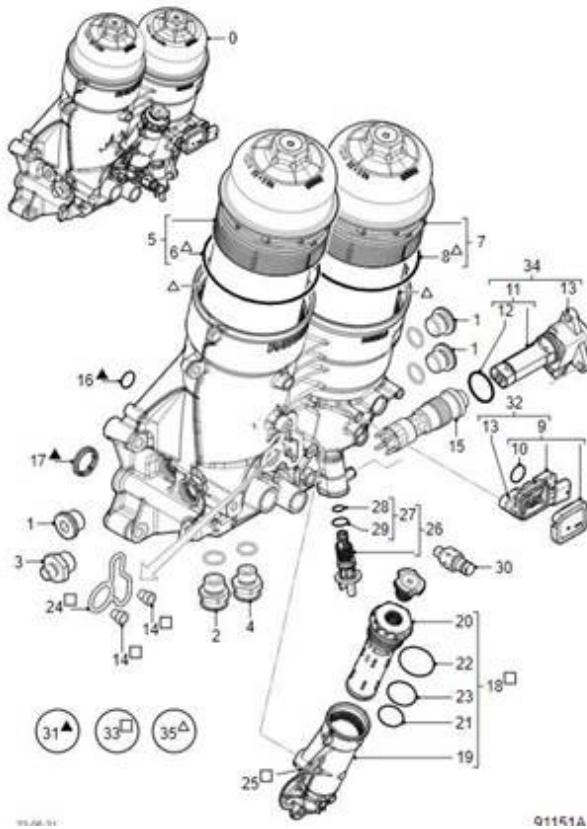
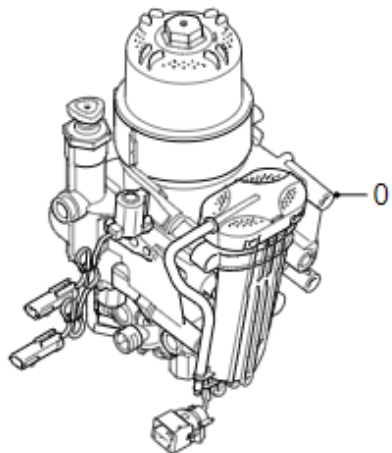


Figure 2 MX 2021A Fuel Filter Module



How to tell the difference between "2021A" and "2021B" engines with access to the chassis

- Inspect the engine to determine if it has a single engine-mounted fuel filter ("2021A" engine) or dual engine-mounted fuel filters ("2021B" engine).

Authored by: OF